



LET'S BUILD A BETTER FUTURE

Window & door system **MB-70**

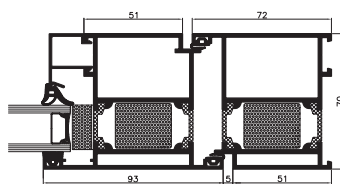
MB-70 system is suitable for creating various thermally and acoustically insulated external openings, such as windows, doors, entrance enclosures, shop fronts and spatial structures. It features enhanced thermal qualities thanks to the special insulating inserts inside the profiles and under the glass area. MB-70 allows for the fabrication of burglar-resistant windows & doors up to class RC4. In addition based on this system it is possible to create smoke exhaust windows and other types of windows including "concealed sash-windows" (MB-70US / MB-70US HI, MB-70SG) and another version suitable for historic buildings (MB-70 Industrial) . The system is also a base for MB-70CW / MB-70CW HI-based "cold-warm" curtain wall.



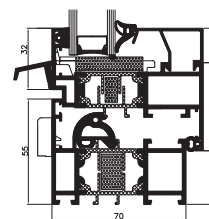
flexibility of design

thermal insulation: U_f from 1.0 W/(m²K)

MB-70 MB-70 HI



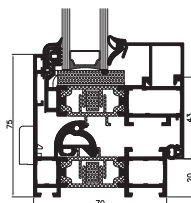
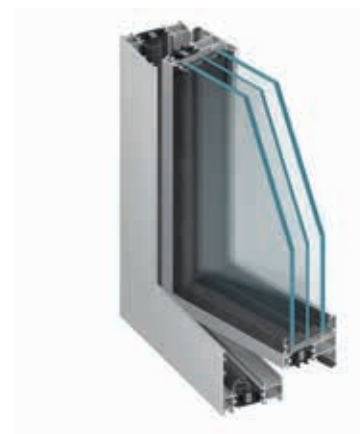
door – cross section MB-70 HI



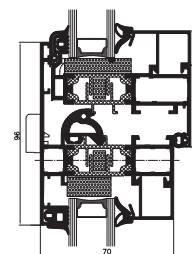
window – cross section MB-70 HI

The basic range of profiles allows the manufacturing of windows that open inwards and outwards. Thanks to its flexible construction, it allows the use of many types of turn, tilt, turn-and-tilt and tilt-and-slide fittings, which also enables the fabrication of folding constructions. Additionally, conventional single or double-leaf doors and doors with the so-called safe doorstop can be manufactured based on MB-70. The system is also used for making larger showcase structures using reinforcement profiles when required. It is also the basis for a number of interesting individual solutions.

MB-70US MB-70US HI



opening window – cross section

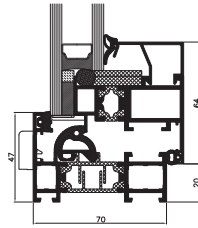


opening window and fixed window – cross section

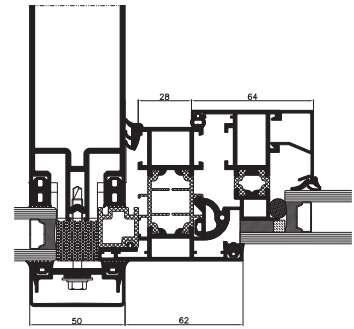
The invisible window sash variety. It enables the creation of a different effect on the exterior of the buildings with the combination of fixed and opening windows. With its narrow width frames, it helps architects and designers to create a light and neat impression from the outside. Available in both regular and HI variety with enhanced thermal insulation.

WINDOWS SCHEMES	SECTION A OR B	Value U_w W/(m ² K)		
		Glass pane with Chromatech Ultra frame		
		$U_g=0.5$	$U_g=0.7$	
 	MB-70HI	 K518101X	0.8	1.0
		 K518101X + K518111X	1.0	1.1
		 K518101X + K518112X	1.0	1.1
		 K518102X + K518112X	1.0	1.1

MB-70SG



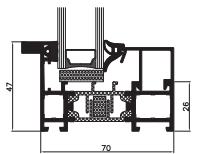
opening window – cross section



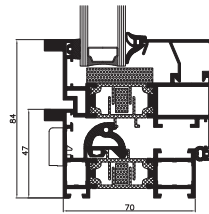
active window
in a curtain wall – cross section

A flexible system enabling to make windows with invisible sashes when viewed from outside. It resembles regular concealed sash construction, but with a frame width of 47 mm that is narrower than MB-70US, and thus offers a slimmer and lighter appearance.

MB-70 INDUSTRIAL MB-70 INDUSTRIAL HI



fixed window – cross section



opening window – cross section

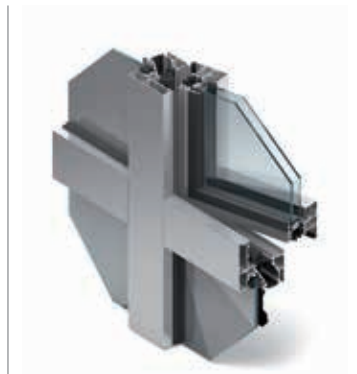
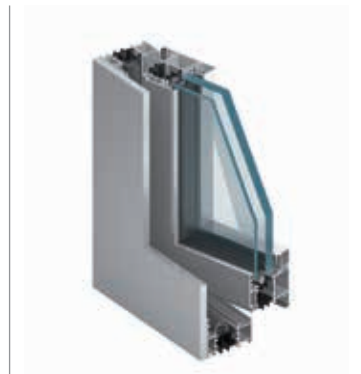
Whether for renovating old steel windows or giving a stylish steel look to a new-build, the MB-70 Industrial can keep up with the original style while providing all the benefits of modern aluminium technology. Combining attractive design options with long-term reliability, the system also features enhanced thermal insulation properties to ensure energy conservation.

MB-70 Casement

MB-70RC4

MB-70 Pivot

MB-70CW MB-70CW H



The MB-70 system can be used for the fabrication of MB-70 Casement / MB-70HI Casement the outward opening windows, MB-70 Pivot windows, burglar-proof windows including a special version of the MB-70 RC4 in class RC4, and MB-70CW / MB-70CW HI window façades. **For more information, please refer to our publications for architects or contact our technical consultants.**

FEATURES AND AESTHETICS

- variety of functions, tailored to users' needs
- possibility to bend profiles, and to create arched structures
- variety of aesthetic solutions offered by windows with concealed sash, Industrial "steel-like" variant and three types of glazing beads: Standard, Prestige, Style
- outward or inward opening single/double doors including "safe stop" doors
- structures suited to different types of hardware, including concealed hinges in windows and roller hinges in doors
- basis for solutions with enhanced thermal insulation: MB-70HI, MB-70US HI and MB-70CW HI
- possibility of fabricating two-colour constructions: profiles can have different colours on external and internal side

TECHNICAL SPECIFICATION	MB-70 MB-70 HI	MB-70US MB-70US HI	MB-70 INDUSTRIAL MB-70 INDUSTRIAL HI	MB-70SG	MB-70CW MB-70CW HI
Frame depth (door / window)	70 mm / 70 mm	70 mm			
Casement depth (door / window)	70 mm / 79 mm	79 mm			
Glazing rang (fixed window and door / opening window)	15 – 51 mm / 23 – 62 mm	9 – 45 mm / 18 – 54 mm	15 – 51 mm / 23 – 62 mm	18 – 54 mm	9 – 45 mm / 18 – 54 mm
MIN VISIBLE WIDTH T PROFILE					
Frame (door / window)	51 mm / 47 mm	75 mm	47 mm	47 mm	78.5 mm
Casement (door / window)	72 mm / 32 mm	—	32 mm	—	34.6 mm
SIZE LIMITATIONS					
Max. size of window (H×L)	H to 2400 mm L to 1600 mm	H to 2100 mm L to 1400 mm	—	H to 2400 mm L to 2000 mm	—
Max. size of door (H×L)	H to 2400 mm L to 1300 mm	—	—	—	—
Max. weight (door / window)	120 kg / 130 kg	130 kg	—	130 kg	—
TYPES OF CONSTRUCTION					
Solutions	tilt window, turn window, tilt&turn window, doors open in and open out	fixed window, tilt window, turn window, tilt&turn window	fixed window, tilt&turn window	turn window, tilt window, tilt&turn window	fixed window, tilt&turn window

PERFORMANCE	MB-70 MB-70 HI	MB-70US MB-70US HI	MB-70 INDUSTRIAL MB-70 INDUSTRIAL HI	MB-70SG	MB-70CW MB-70CW HI
Air permeability	class 4, EN 1026; EN 12207				
Windload resistance	to class C5, EN 12211; EN 12210			class C5, EN 12211; EN 12210	
Water tightness	to class E1200, EN 1027; EN 12208			E750, EN 1027; EN 12208	
Thermal insulation	U _f from 1.0 W/(m ² K)	U _f from 1.5 W/(m ² K)	U _f from 1.9 W/(m ² K)	U _f from 2.2 W/(m ² K)	U _f from 1.4 W/(m ² K)
Burglary resistance	class RC1 do RC3, EN 1627	class RC1 do RC3, EN 1627	—	—	—

