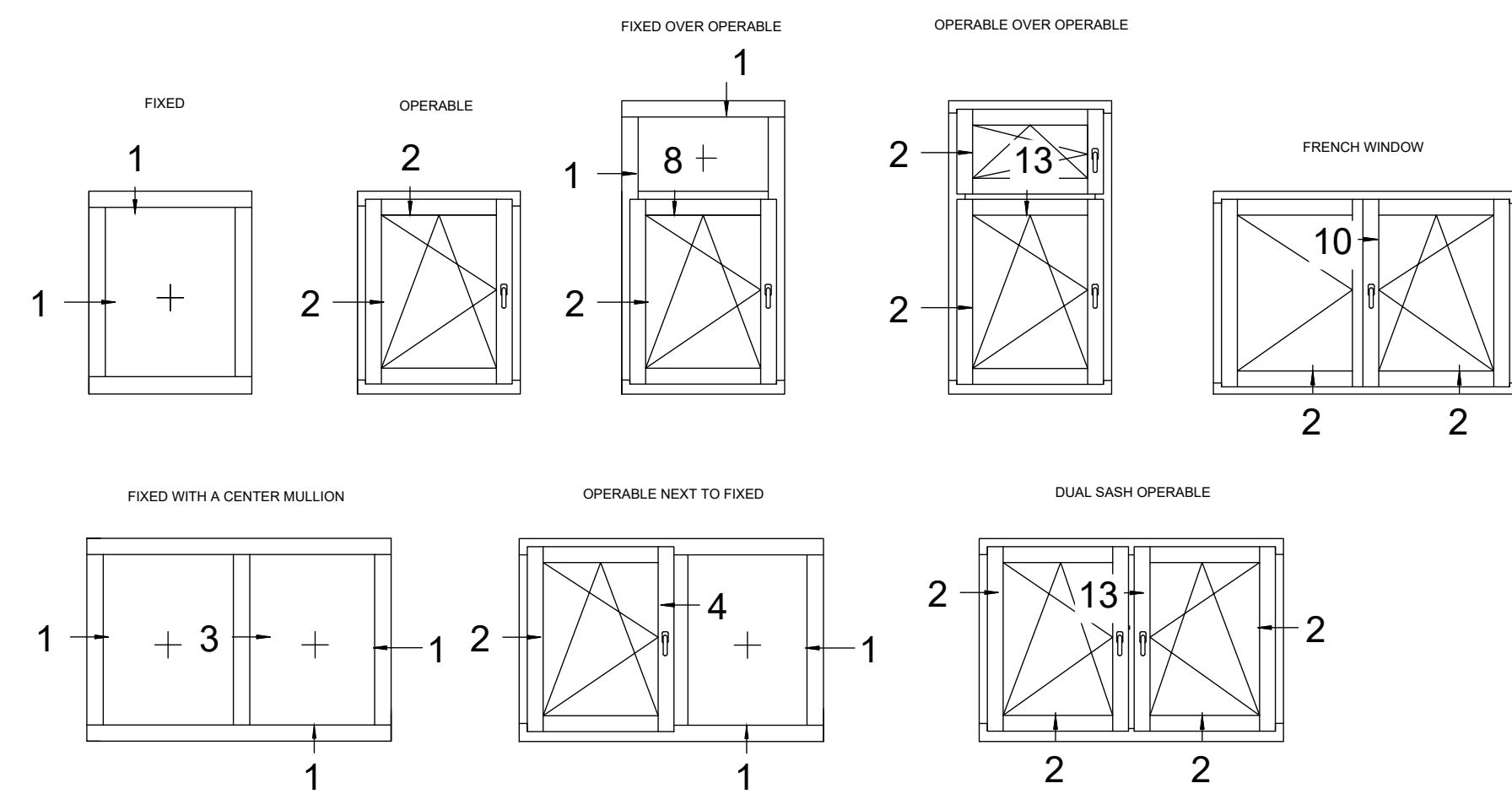
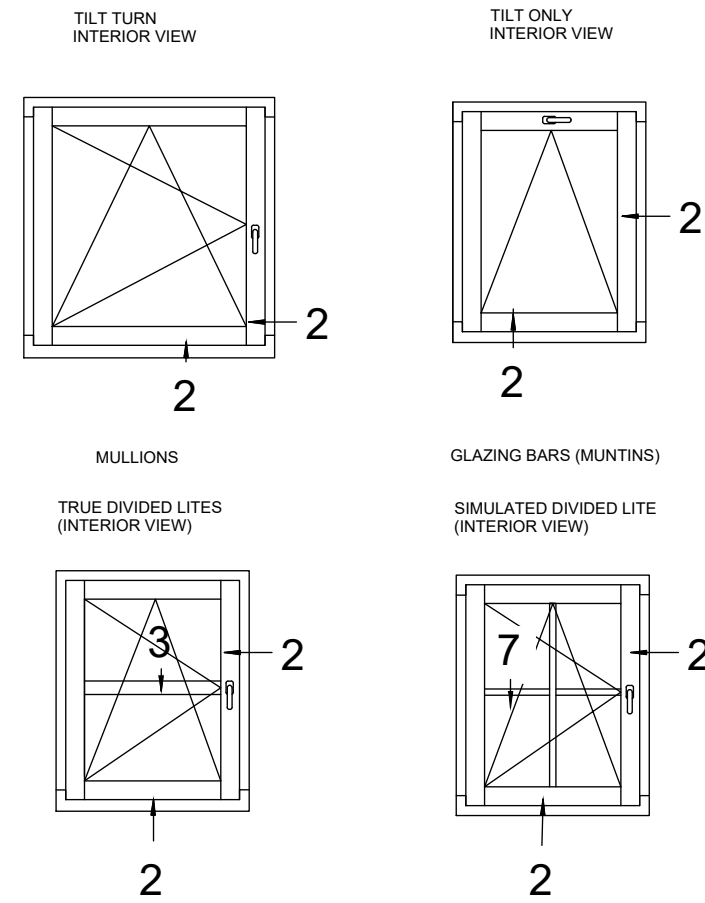


# ELEVATIONS

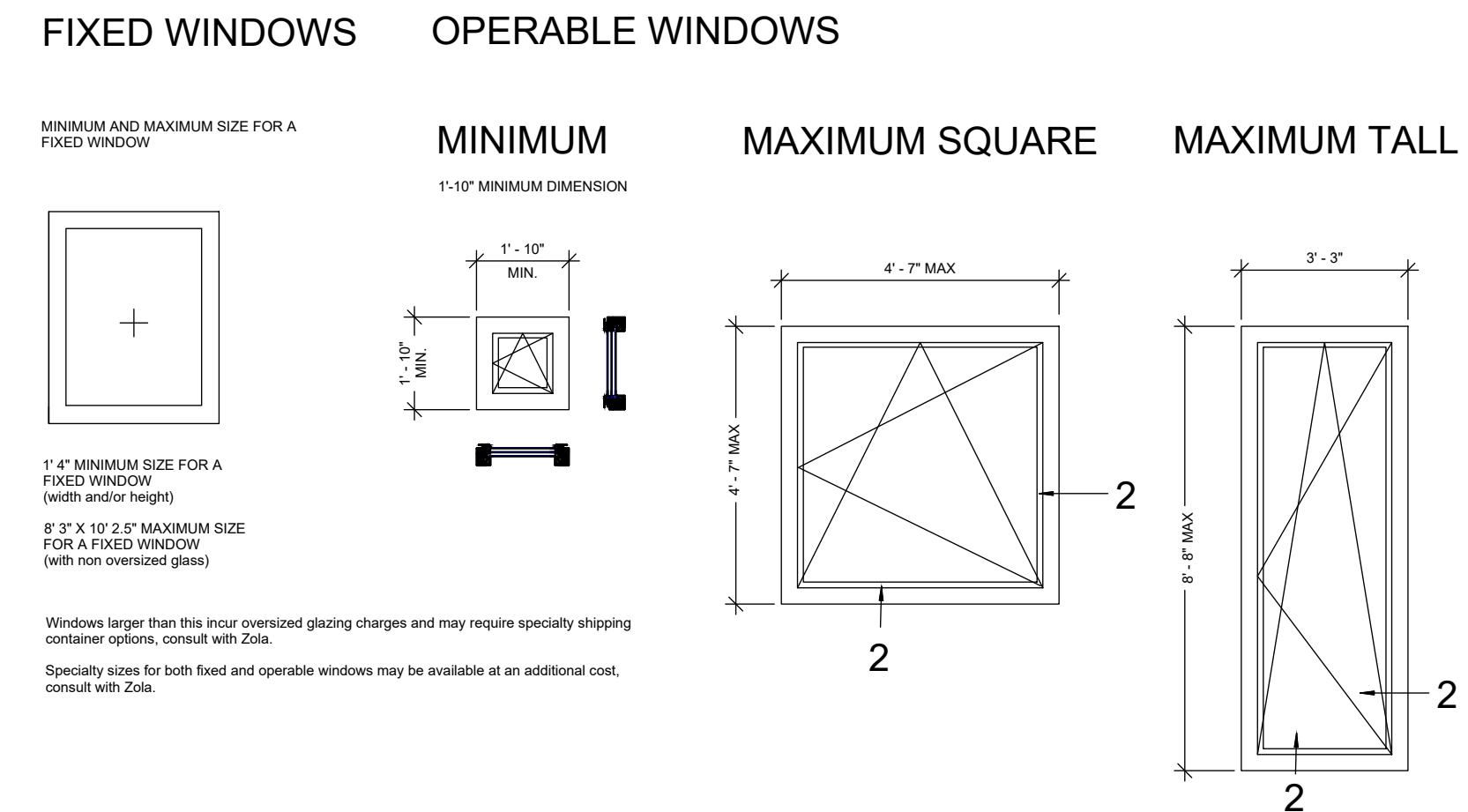
## COMMON CONFIGURATIONS:



## SWING AND DIVIDER OPTIONS:

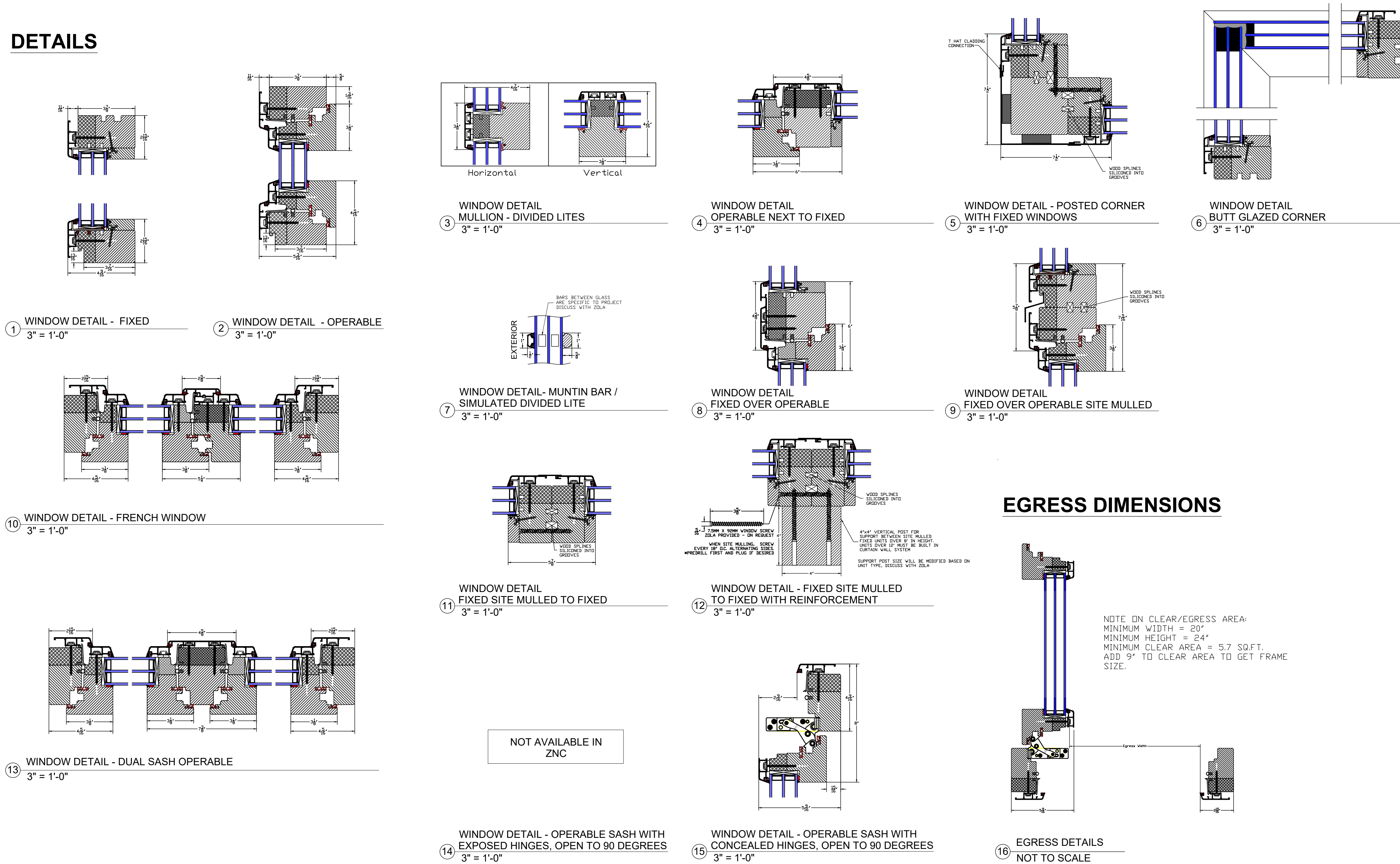


## SIZING:

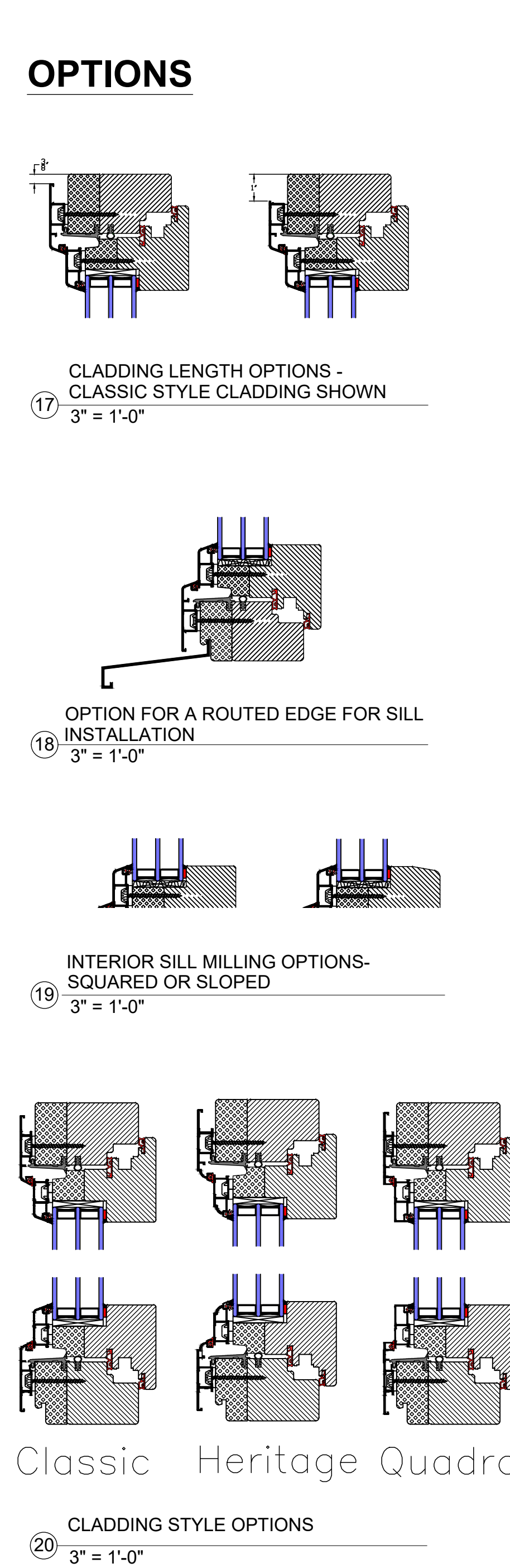


A ELEVATIONS - ZOLA ZNC  
NOT TO SCALE

# DETAILS



# OPTIONS



NOTE: DETAILS PROVIDED FOR EXPLANATION ONLY. ARCHITECT AND ENGINEER OF RECORD TO DEVELOP PROJECT SPECIFIC DETAILS. ZOLA RESERVES RIGHTS TO MAKE TECHNICAL CHANGES AND UPDATES WHICH MAY NOT BE REFLECTED IN DRAWINGS

No.	Description	Date

**ZNC WINDOW DETAILS**  
**FIXED AND TILT & TURN**

Project number  
Date July 2024  
Drawn by  
Checked by

**A101**

Scale As indicated

Customized installation details by project architect or waterproofing consultant are required for a successful installation.