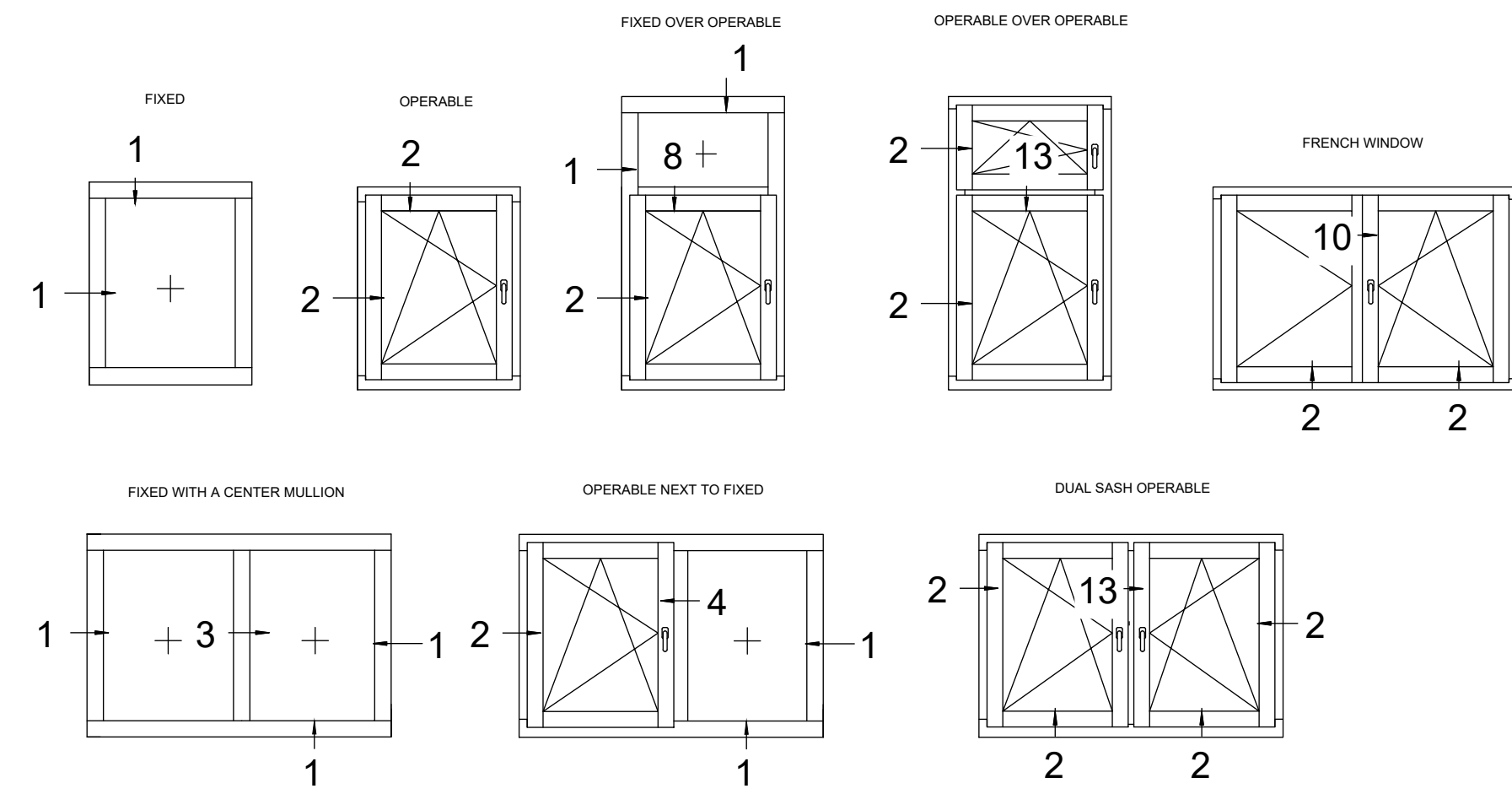
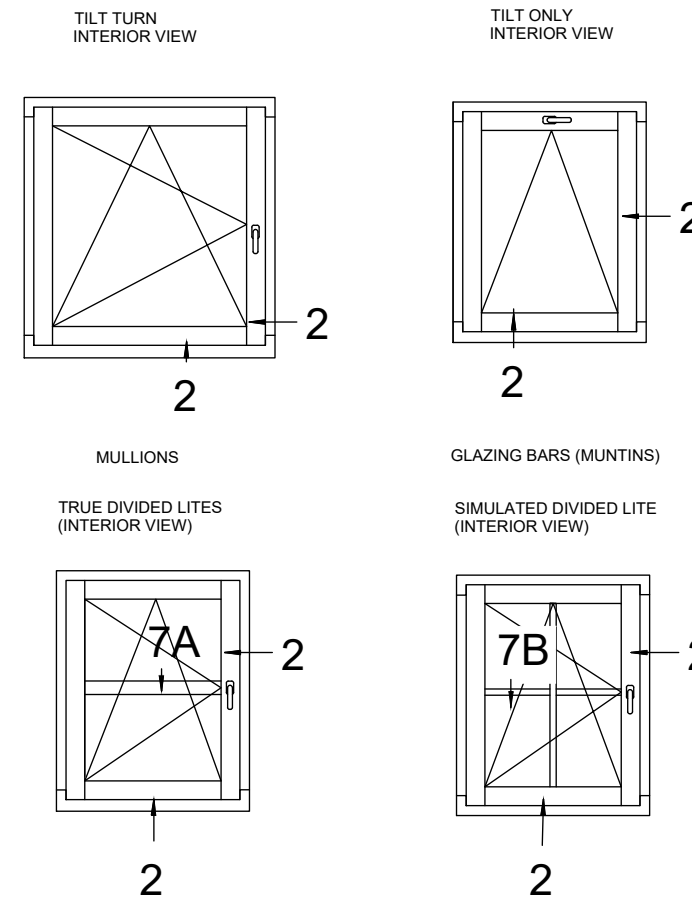


ELEVATIONS

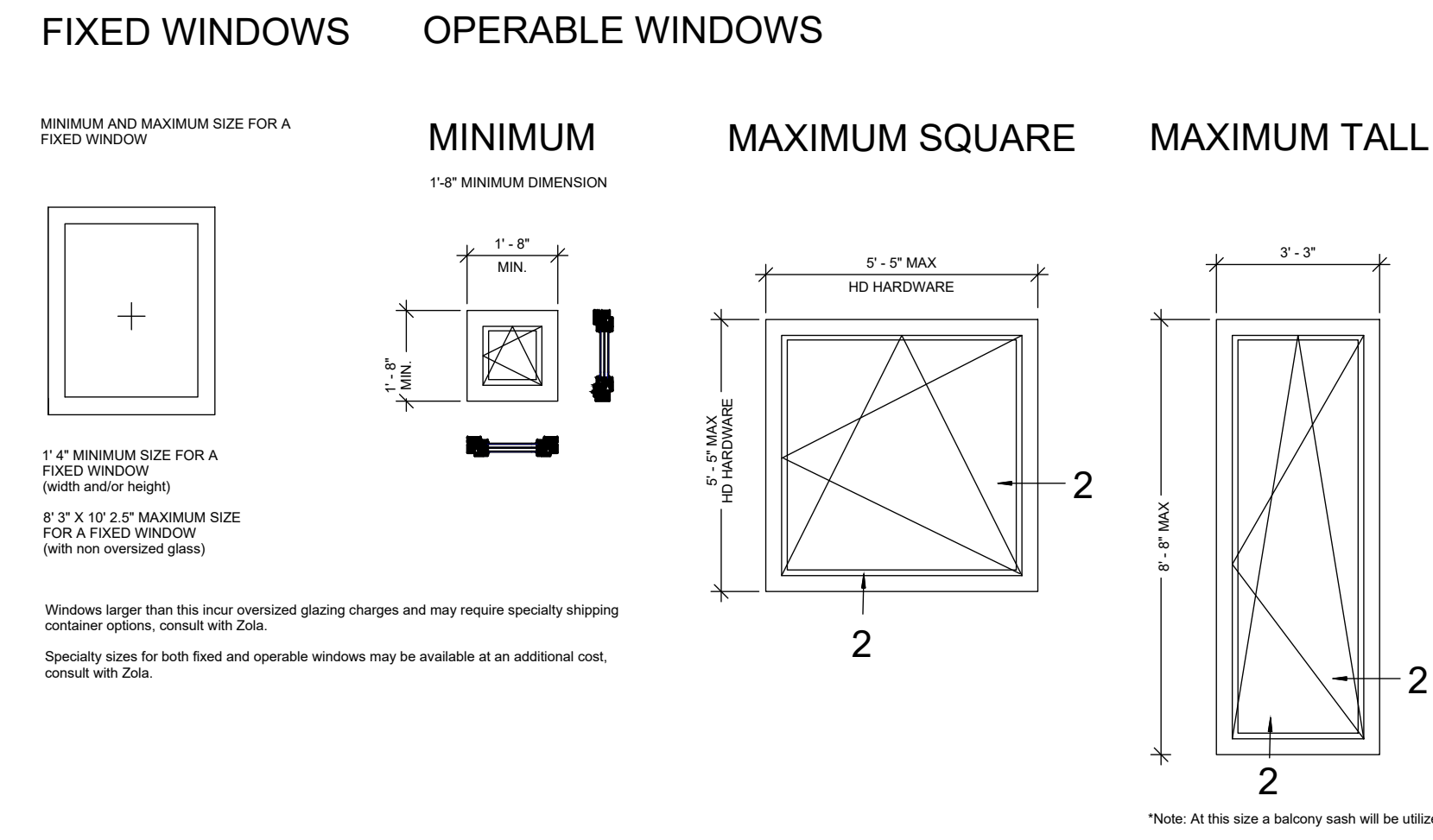
COMMON CONFIGURATIONS:



SWING AND DIVIDER OPTIONS:

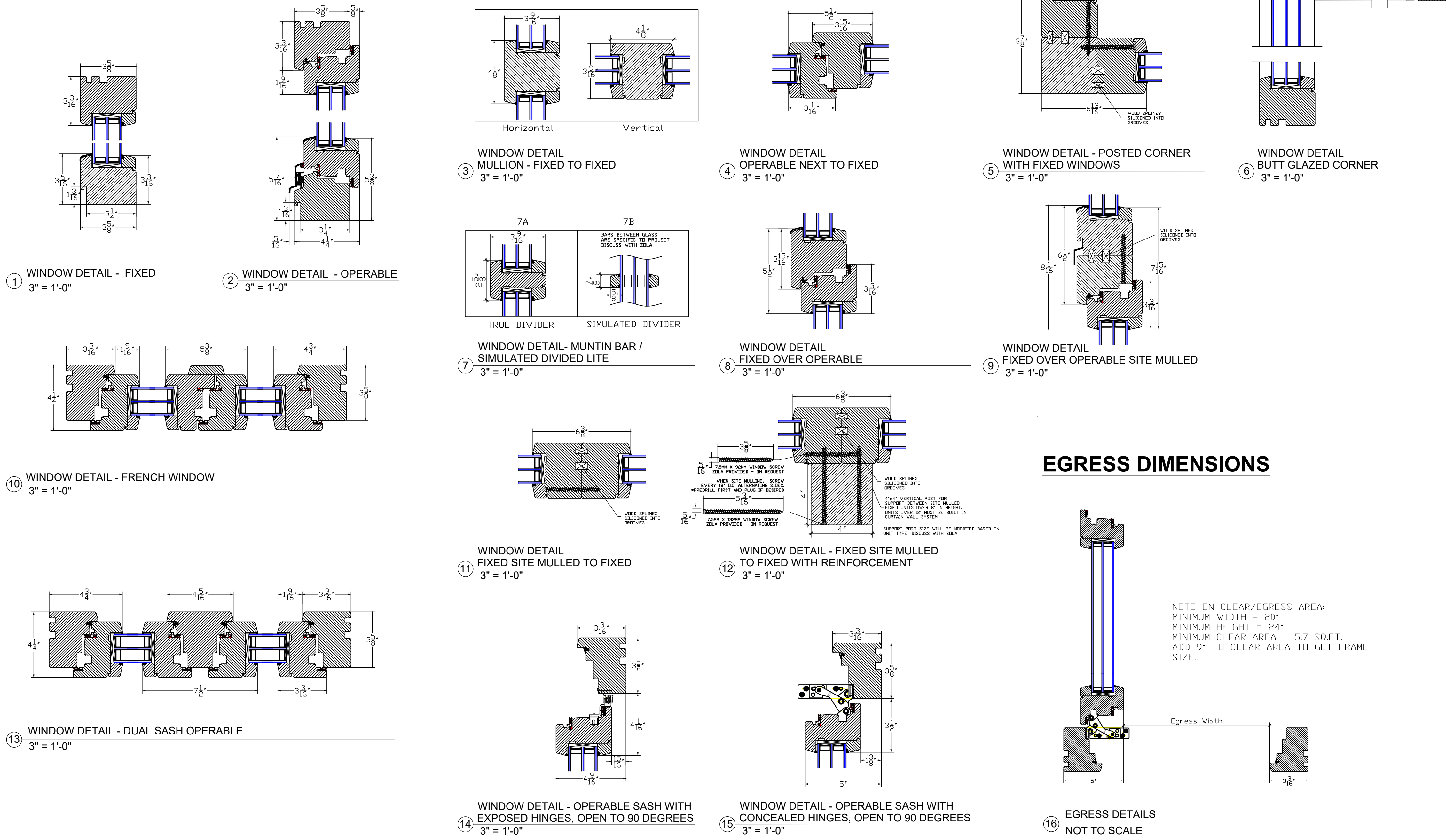


SIZING:

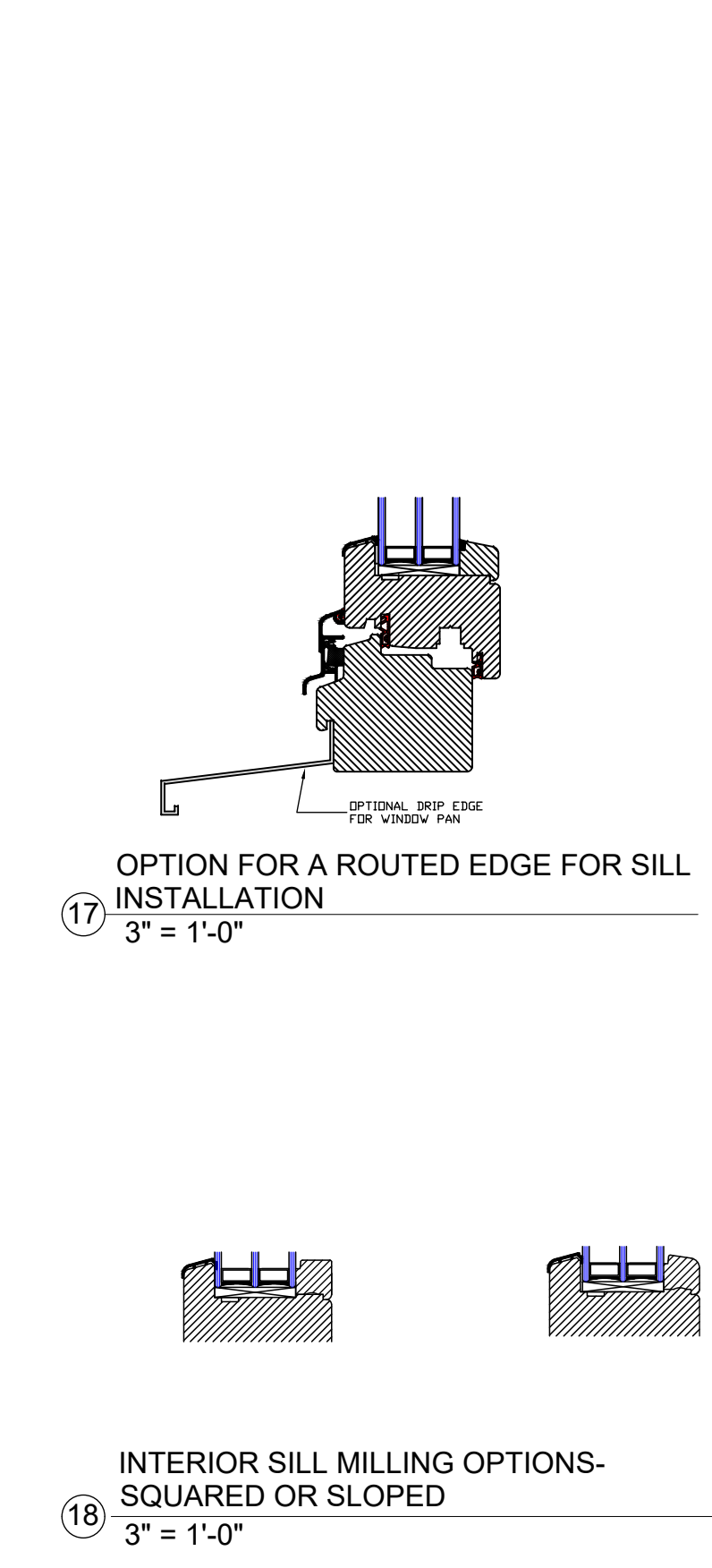


A ELEVATIONS - ZOLA THERMO WOOD
NOT TO SCALE

DETAILS



OPTIONS



NOTE: DETAILS PROVIDED FOR EXPLANATION ONLY. ARCHITECT AND ENGINEER OF RECORD TO DEVELOP PROJECT SPECIFIC DETAILS. ZOLA RESERVES RIGHTS TO MAKE TECHNICAL CHANGES AND UPDATES WHICH MAY NOT BE REFLECTED IN DRAWINGS

No.	Description	Date

THERMO WOOD WINDOW DETAILS
FIXED AND TILT & TURN

Project number _____
Date July 2024
Drawn by _____
Checked by _____

A101

Scale As indicated