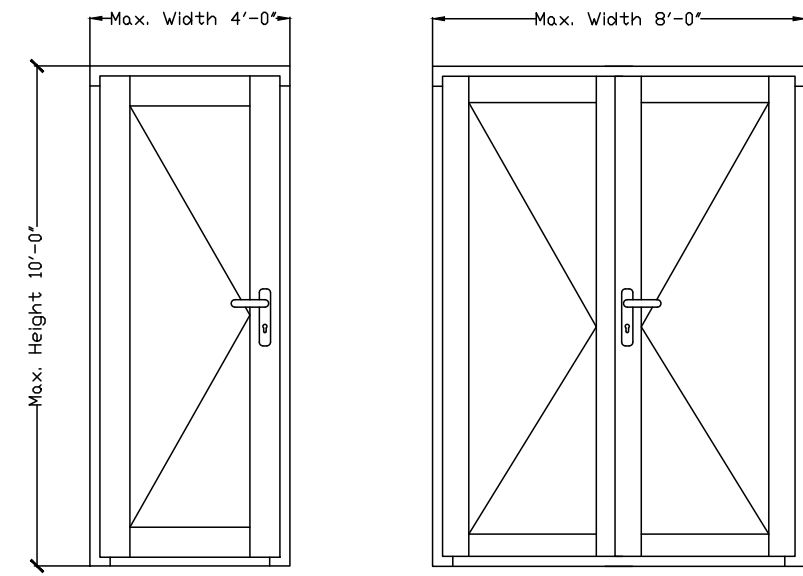
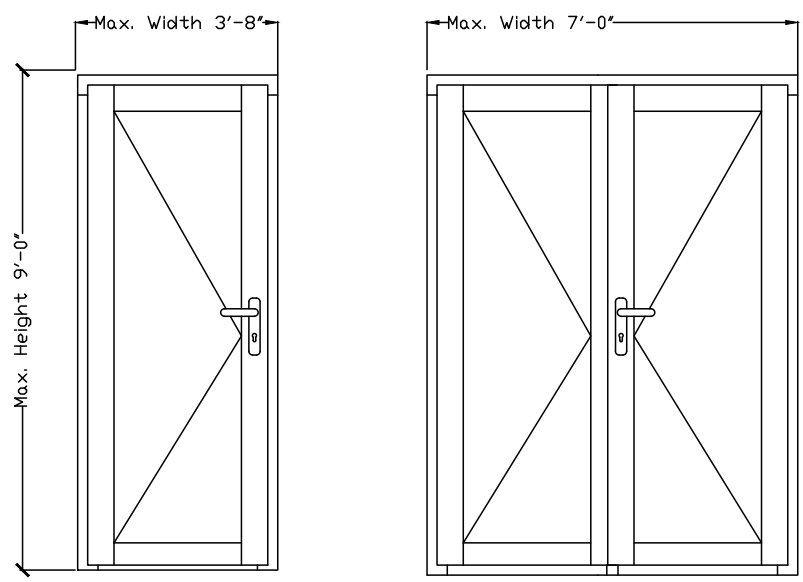


Swing Doors

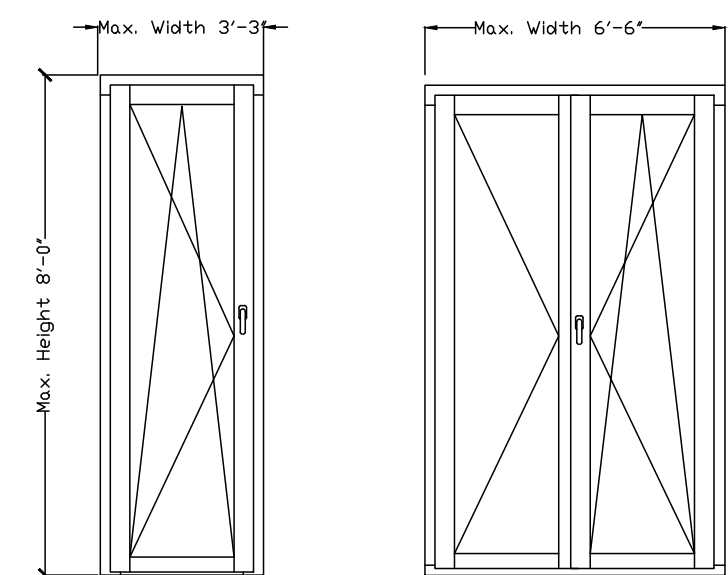
ELEVATIONS



A ELEVATIONS - ENTRY DOORS
3/8" = 1'-0"

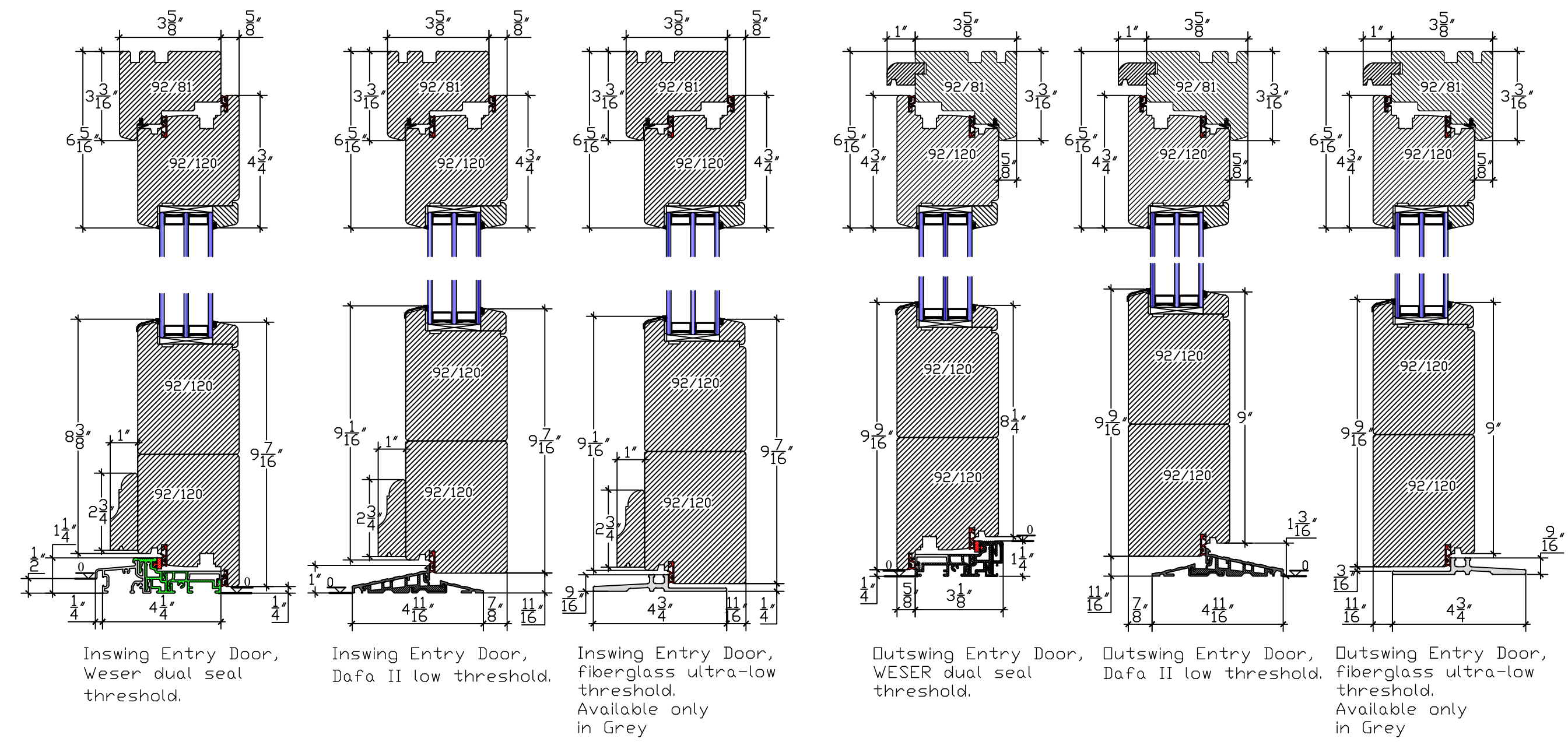


B ELEVATIONS - TERRACE DOORS
3/8" = 1'-0"

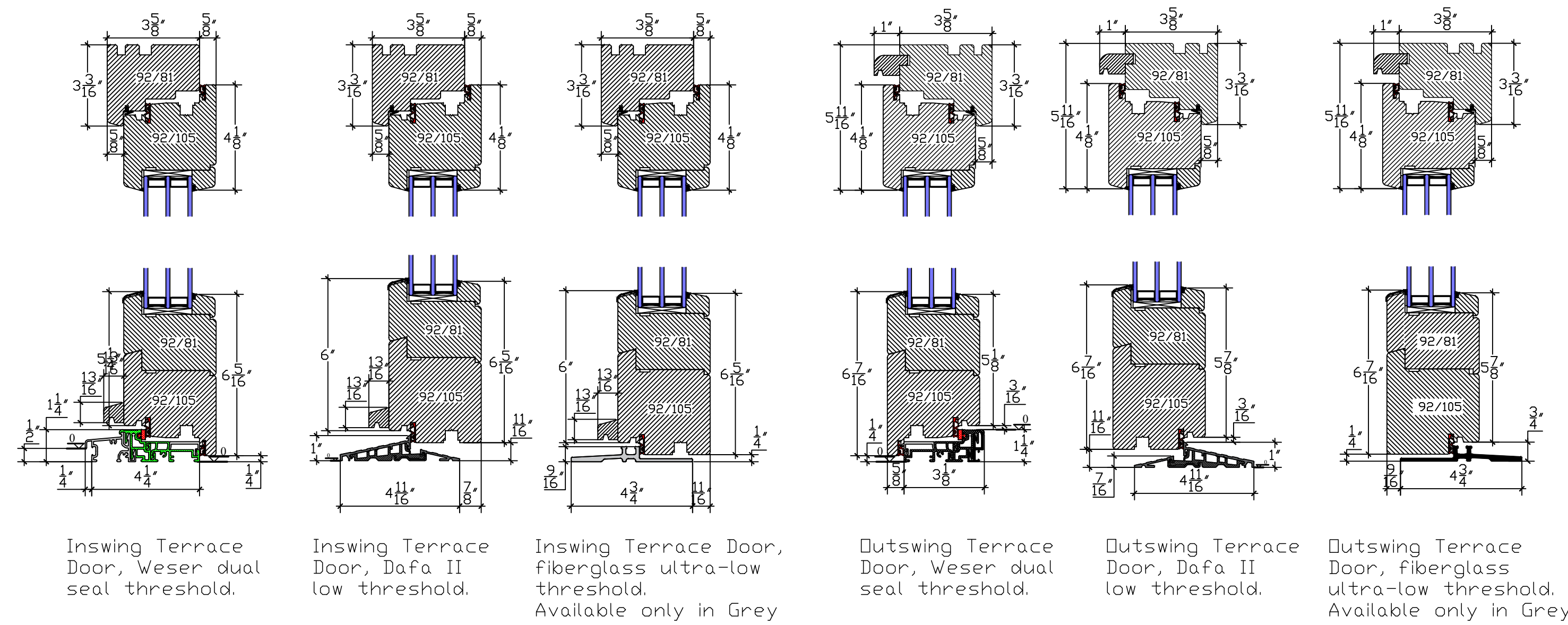


C ELEVATIONS - BALCONY DOORS
3/8" = 1'-0"

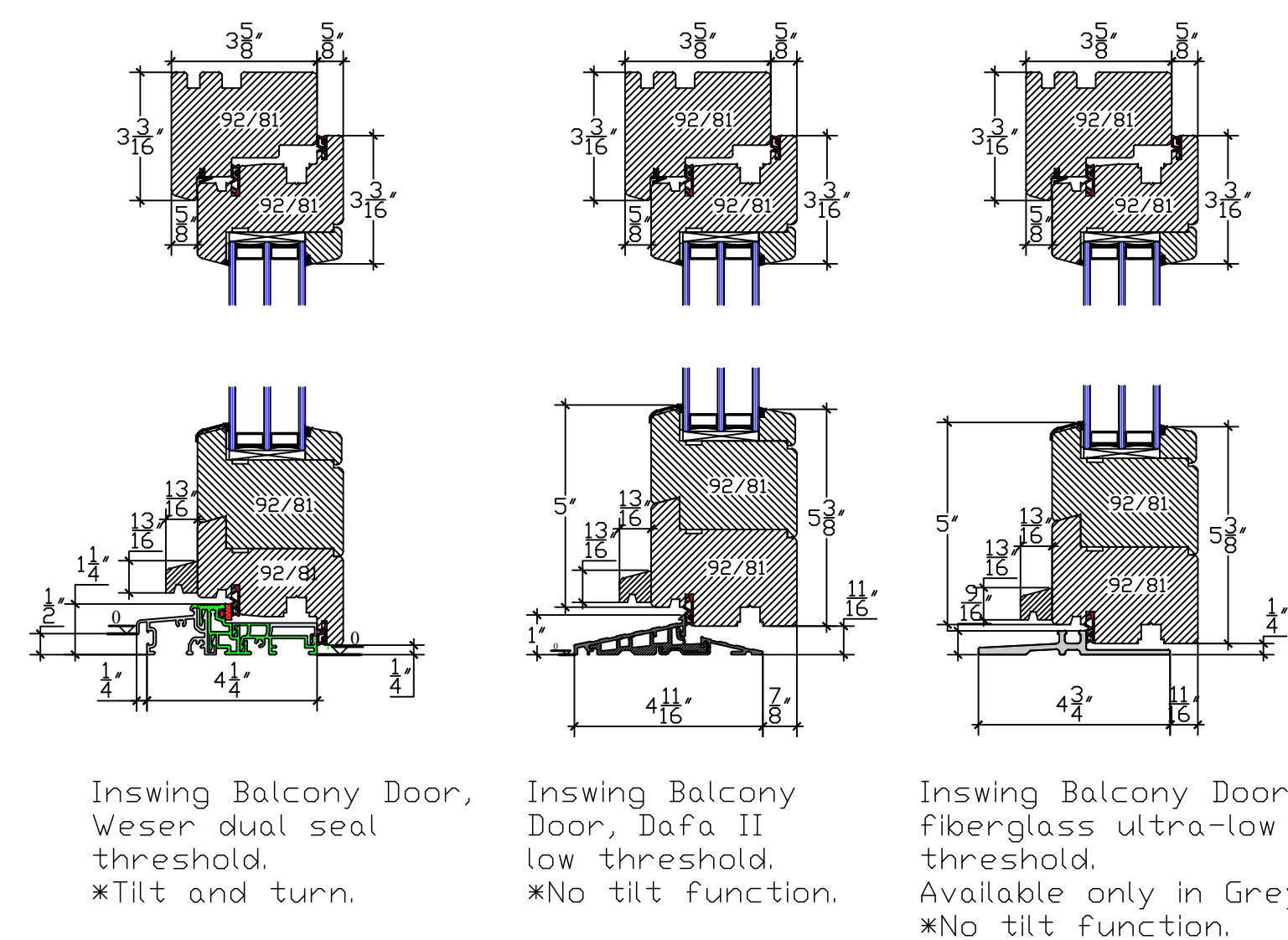
DETAILS



1 STANDARD ENTRY DOOR DETAILS
3" = 1'-0"

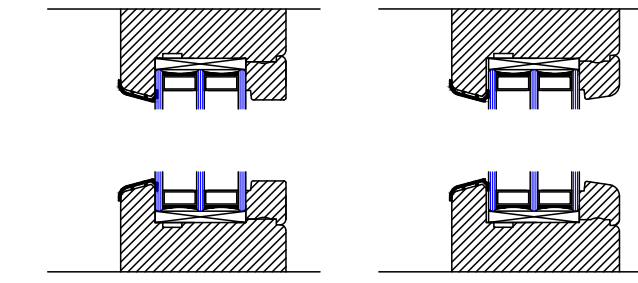


2 STANDARD TERRACE DOOR DETAILS
3" = 1'-0"



3 STANDARD BALCONY DOOR DETAILS
3" = 1'-0"

OPTIONS



4 INTERIOR SILL MILLING OPTIONS - SQUARED OR SLOPED
3" = 1'-0"

NOTE: DETAILS PROVIDED FOR EXPLANATION ONLY. ARCHITECT AND ENGINEER OF RECORD TO DEVELOP PROJECT SPECIFIC DETAILS. ZOLA RESERVES RIGHTS TO MAKE TECHNICAL CHANGES AND UPDATES WHICH MAY NOT BE REFLECTED IN DRAWINGS

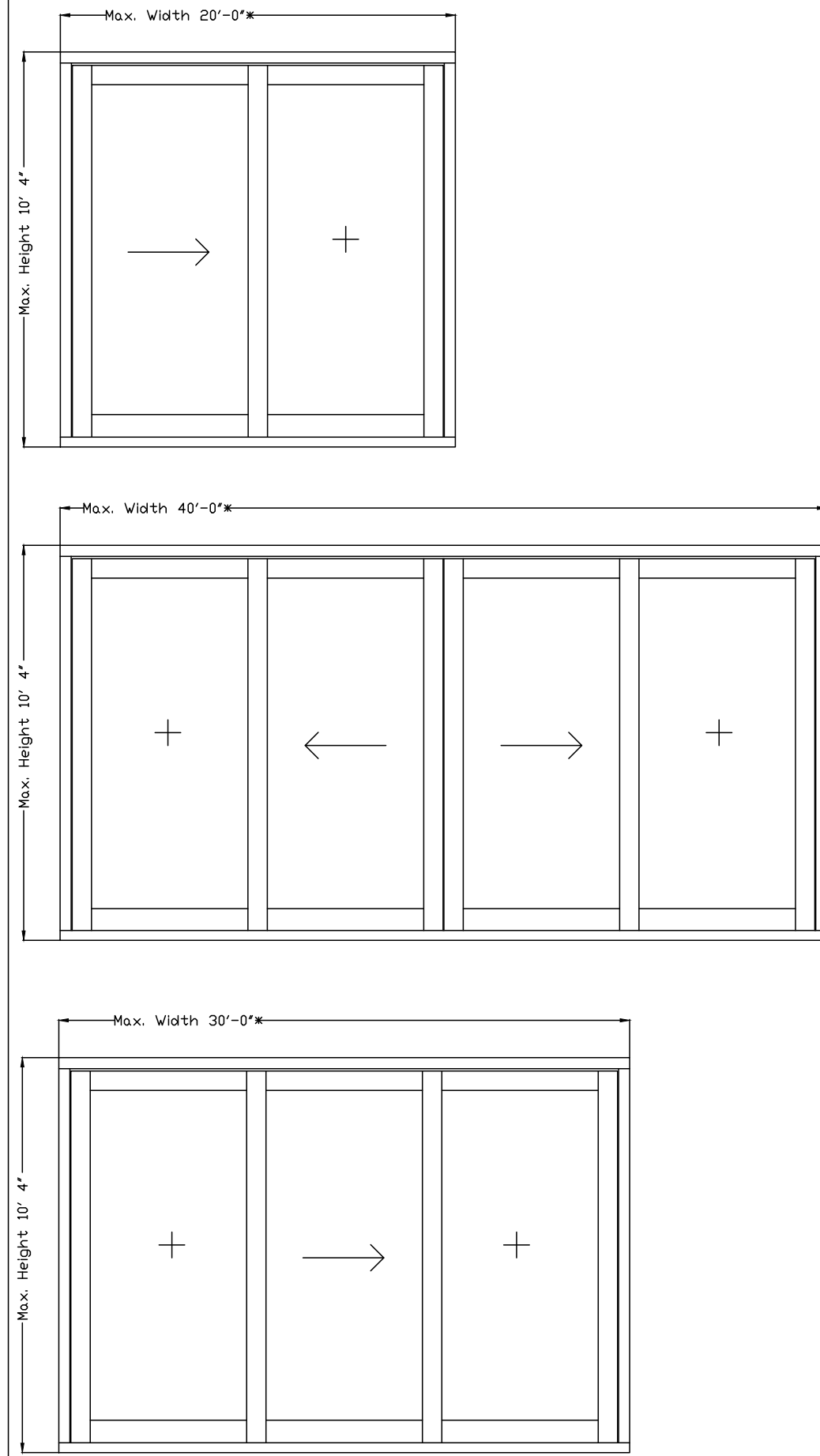
No.	Description	Date

**THERMO WOOD
DOOR DETAILS**
**ENTRY, TERRACE,
BALCONY**

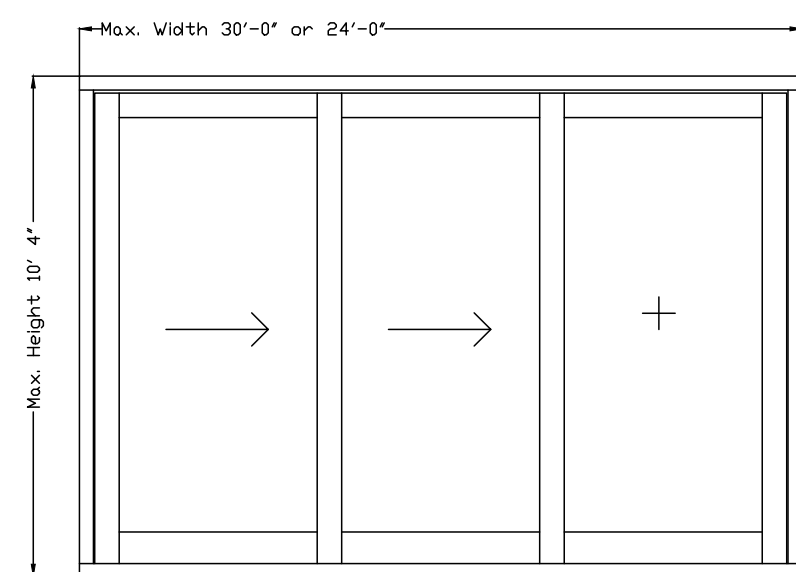
Project number	
Date	MAY 2024
Drawn by	
Checked by	
Scale	AS INDICATED

New Generation Lift-Slide Doors

ELEVATIONS



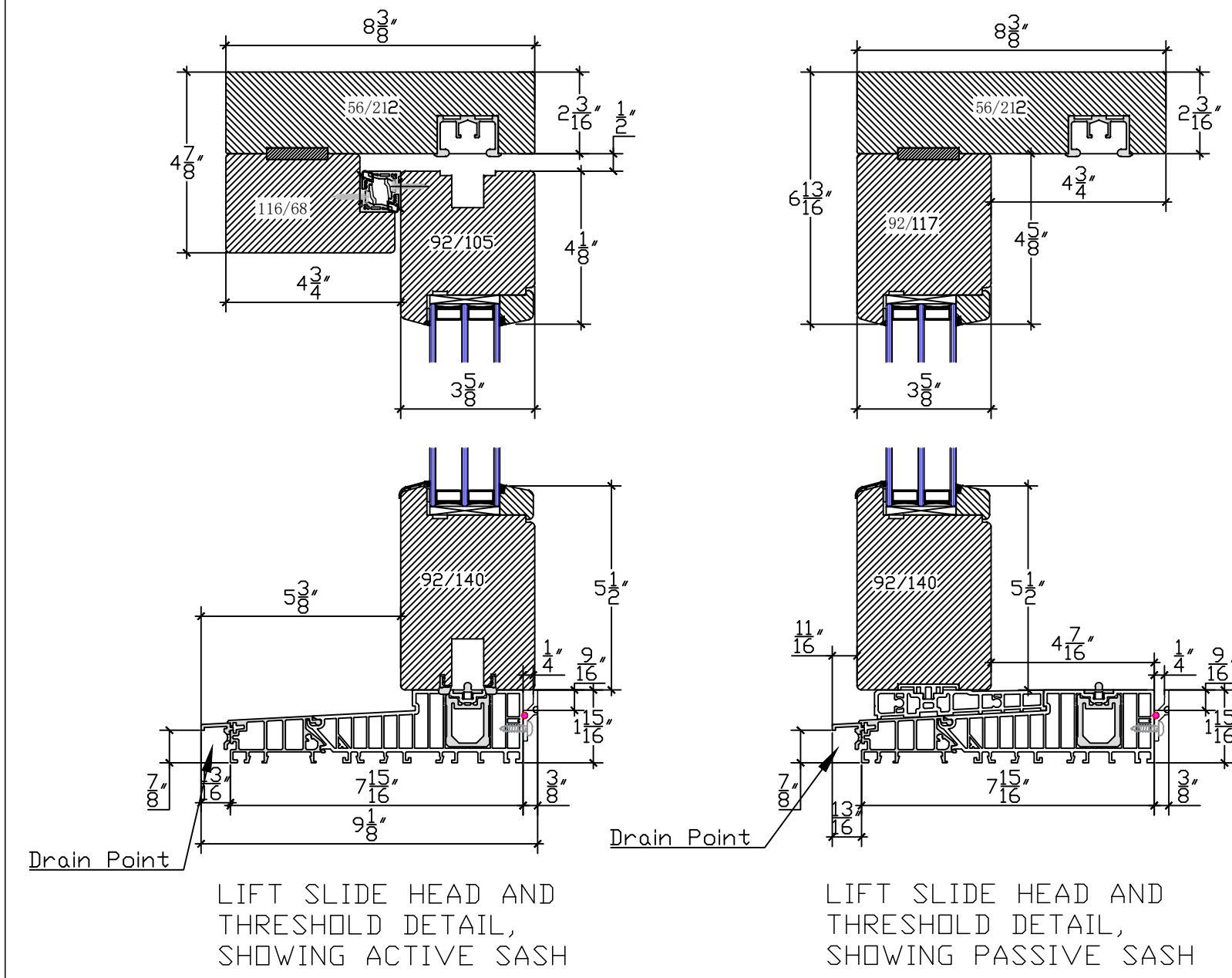
A ELEVATIONS - LIFT-SLIDE DOORS
3/8" = 1'-0"



*Note: each panel can be a maximum of 10'x8' either orientation

B ELEVATIONS - TRIPLE LIFT-SLIDE DOORS
3/8" = 1'-0"

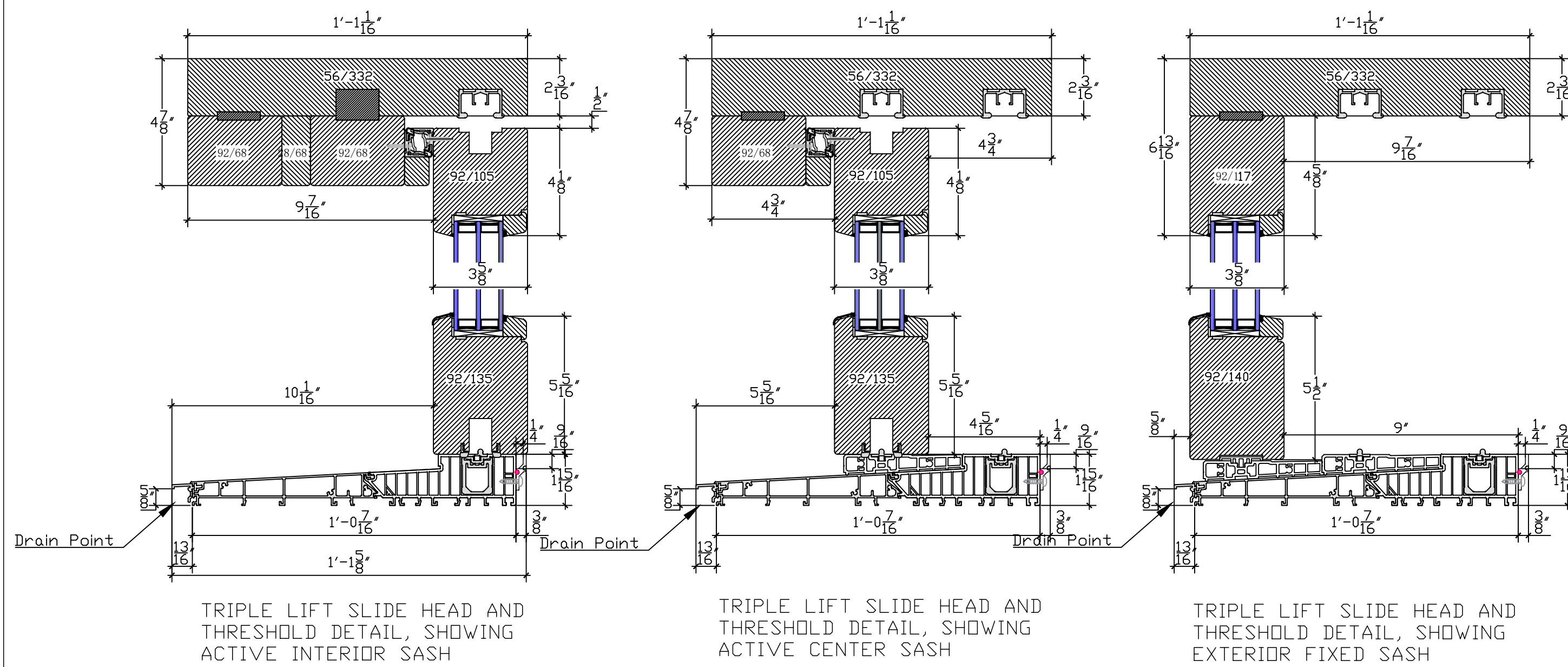
DETAILS



LIFT SLIDE HEAD AND THRESHOLD DETAIL, SHOWING ACTIVE SASH

LIFT SLIDE HEAD AND THRESHOLD DETAIL, SHOWING PASSIVE SASH

1 NEW GENERATION LIFT-SLIDE DOOR DETAIL
3" = 1'-0"

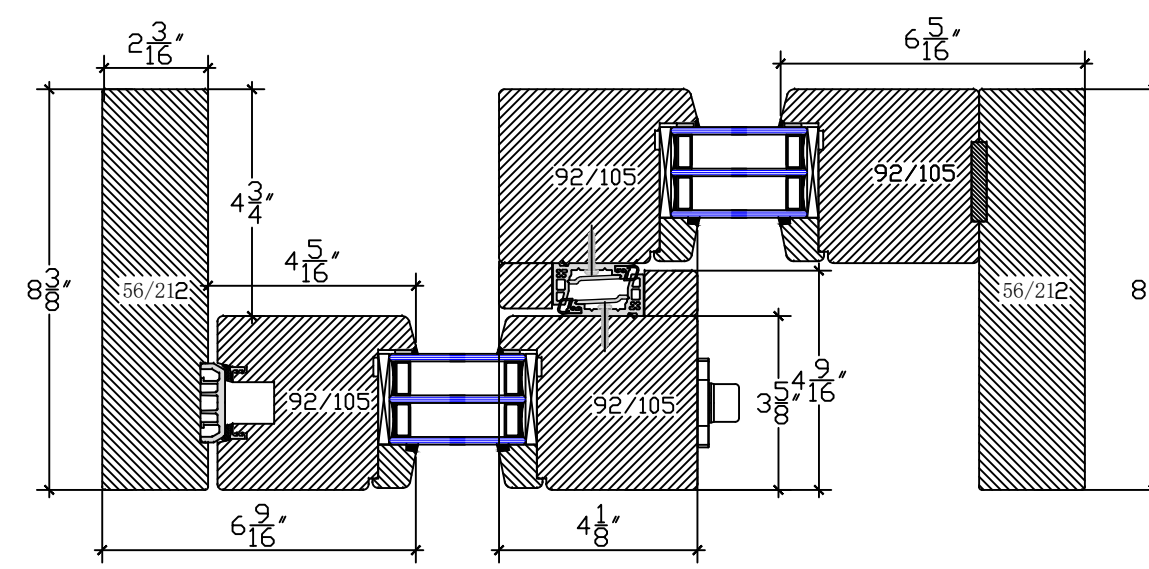


TRIPLE LIFT SLIDE HEAD AND THRESHOLD DETAIL, SHOWING ACTIVE INTERIOR SASH

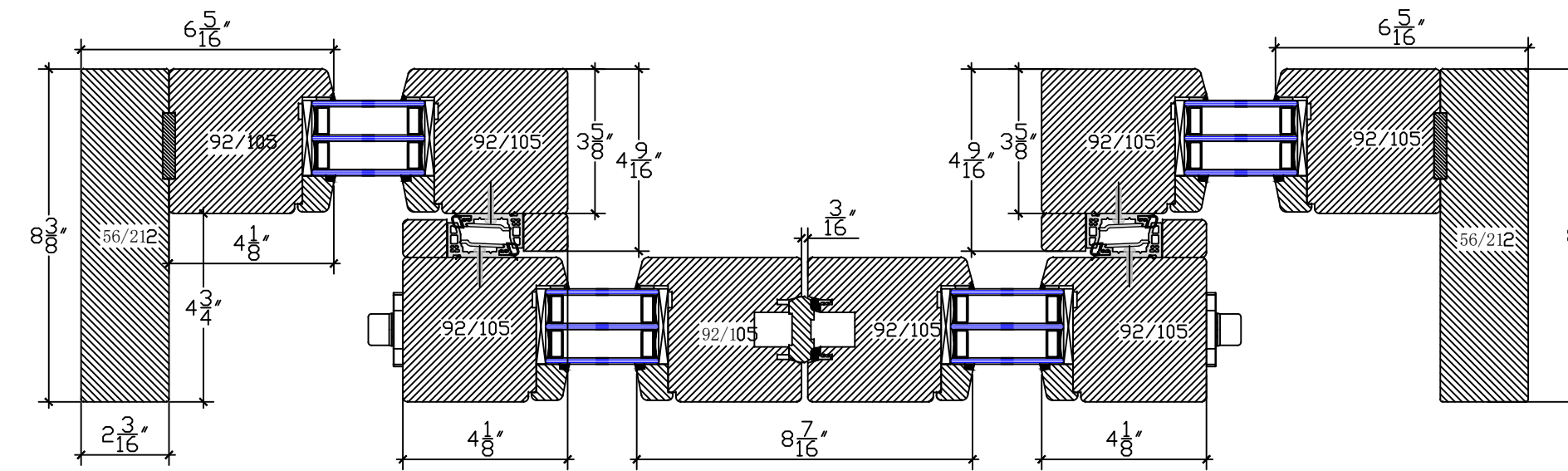
TRIPLE LIFT SLIDE HEAD AND THRESHOLD DETAIL, SHOWING ACTIVE CENTER SASH

TRIPLE LIFT SLIDE HEAD AND THRESHOLD DETAIL, SHOWING EXTERIOR FIXED SASH

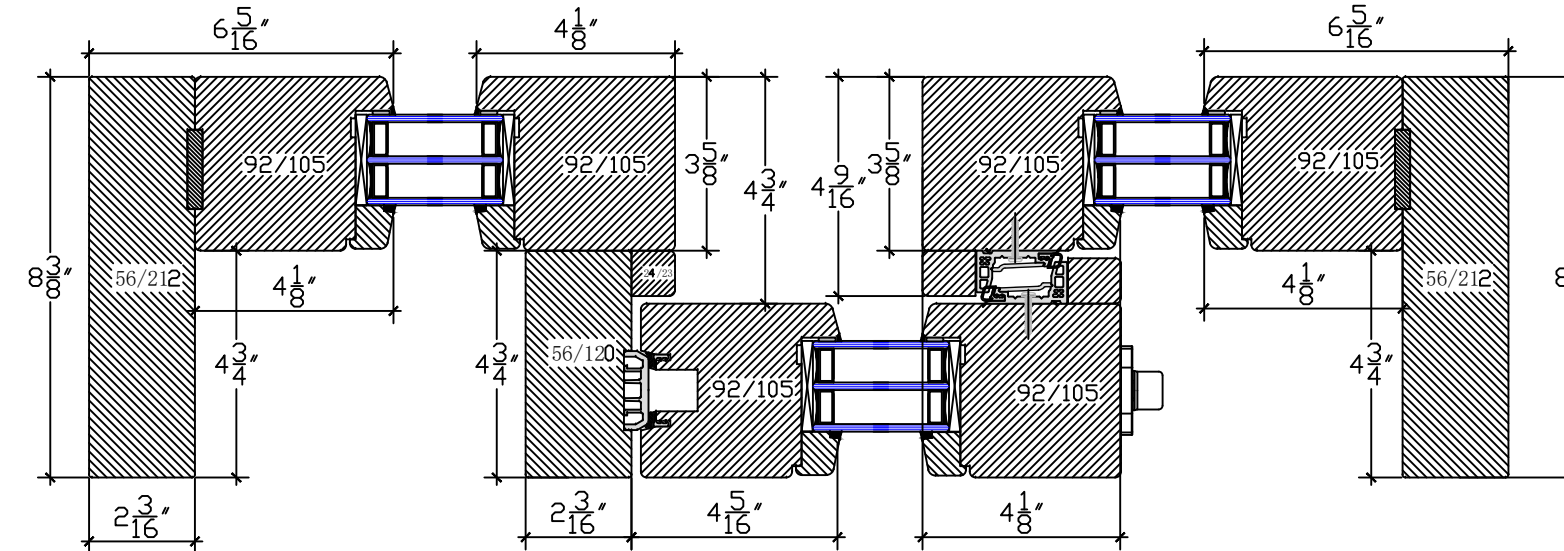
2 NEW GENERATION TRIPLE LIFT-SLIDE DOOR DETAIL (QUADRAT CLADDING ONLY)
3" = 1'-0"



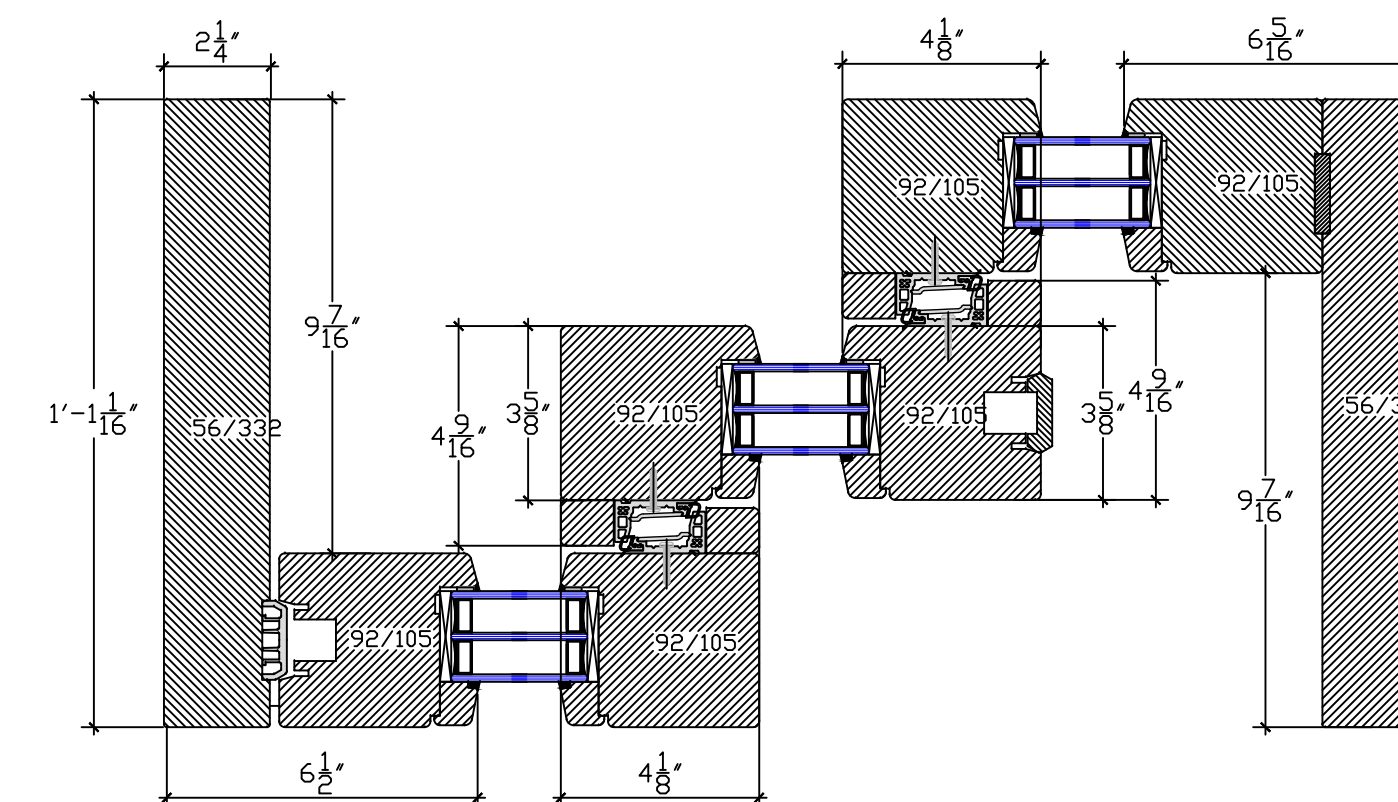
XD LIFT SLIDE PLAN SECTION



DXD LIFT SLIDE PLAN SECTION

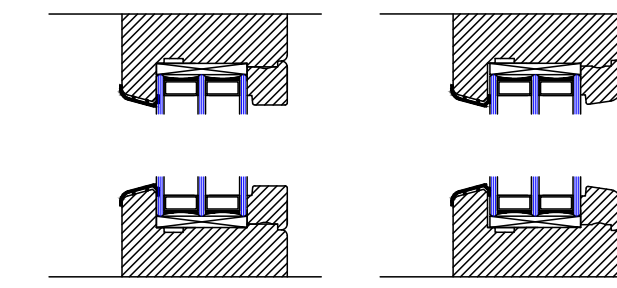


DXD LIFT SLIDE PLAN SECTION, ACTIVE SASH MOVES TO ONE SIDE ONLY



TRIPLE LIFT SLIDE PLAN SECTION

OPTIONS



3 INTERIOR SILL MILLING OPTIONS - SQUARED OR SLOPED
3" = 1'-0"

NOTE: DETAILS PROVIDED FOR EXPLANATION ONLY. ARCHITECT AND ENGINEER OF RECORD TO DEVELOP PROJECT SPECIFIC DETAILS. ZOLA RESERVES RIGHTS TO MAKE TECHNICAL CHANGES AND UPDATES WHICH MAY NOT BE REFLECTED IN DRAWINGS

No.	Description	Date

THERMO WOOD DOOR DETAILS NEW GENERATION LIFT SLIDE

Project number
Date MAY 2024
Drawn by
Checked by

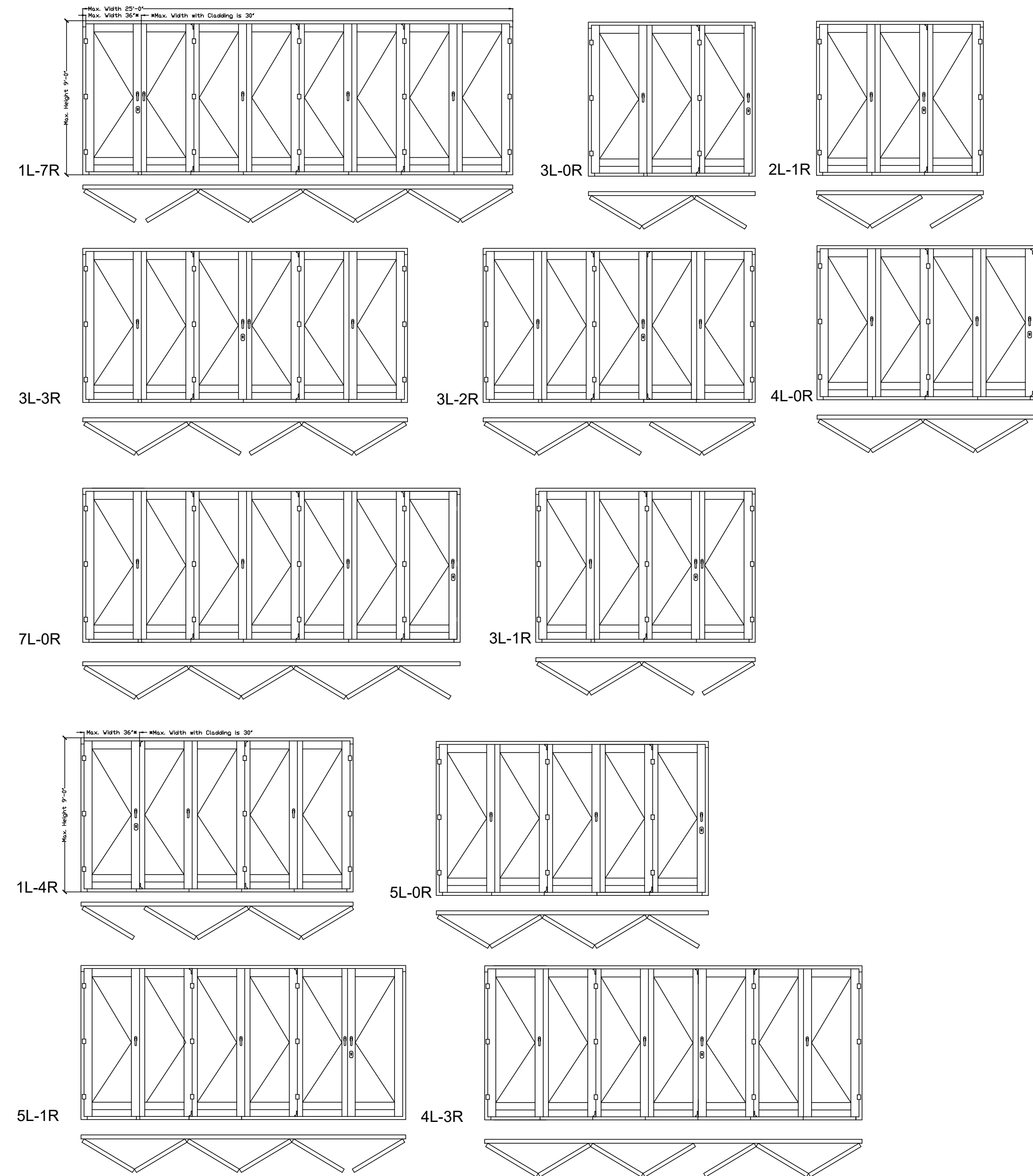
A102

Scale AS INDICATED

Breeze Panel Doors

*ONLY AVAILBLE IN DUAL PANE

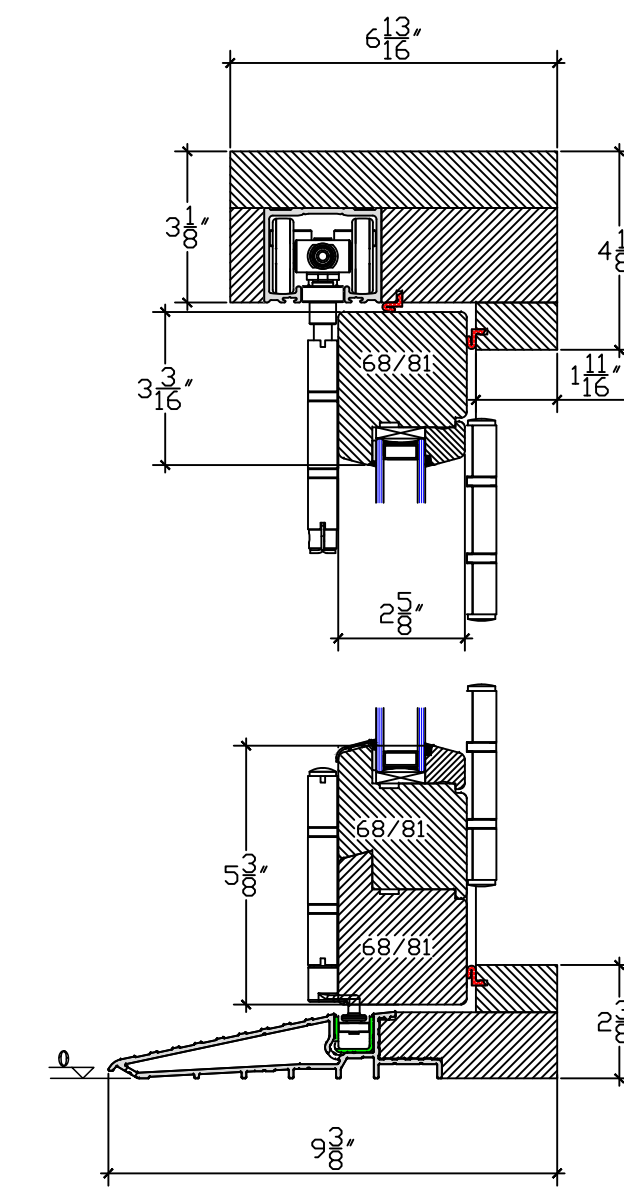
ELEVATIONS



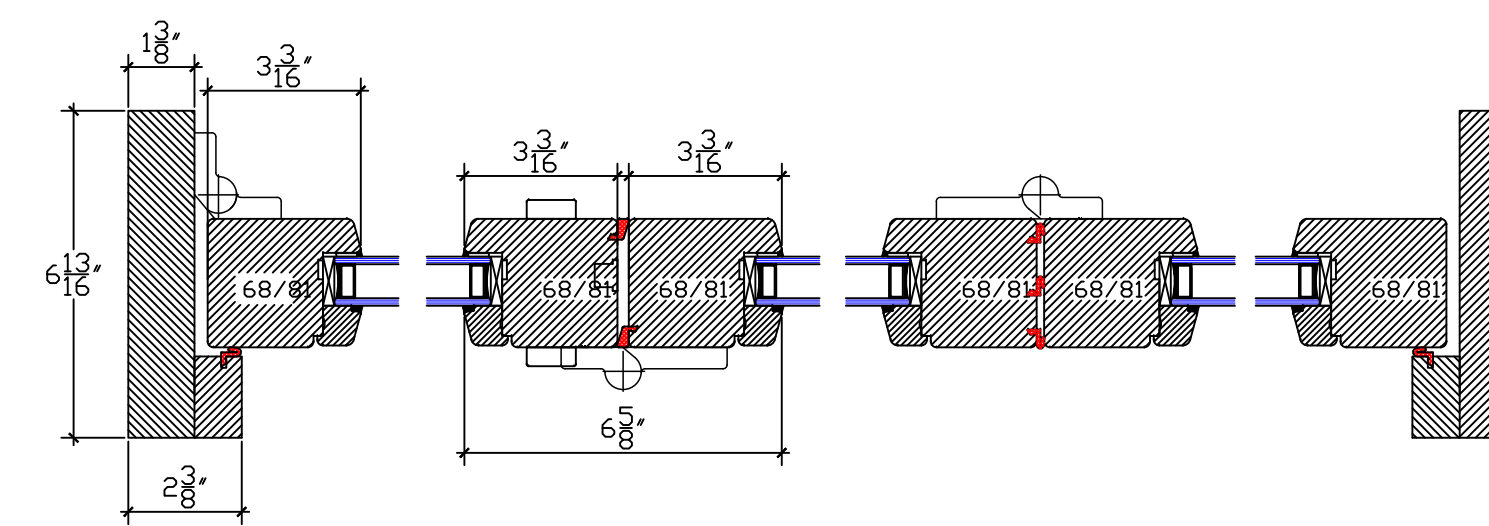
(A) ELEVATIONS - BREEZE PANEL DOORS
1/4" = 1'-0"

*Requires Zola Windows Technician Visit for optimal installation. Refer to Breeze Panel Installation Guide. Breeze panel units require ongoing adjustments for the lifetime of the unit. Zola Windows Technicians provide initial training and are available for paid tech visits for ongoing adjustments.

DETAILS

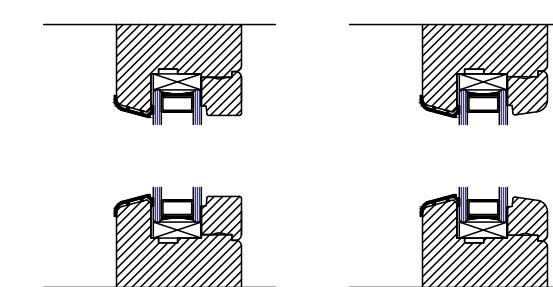


OUTSWING - SECTION VIEW
*ONLY AVAILBLE IN DUAL PANE



OUTSWING - PLAN VIEW
① STANDARD OUTSWING BREEZEPANEL DETAILS
3" = 1'-0"

OPTIONS



② INTERIOR SILL MILLING OPTIONS - SQUARED OR SLOPED
3" = 1' - 0"

NOTE: DETAILS PROVIDED FOR EXPLANATION ONLY. ARCHITECT AND ENGINEER OF RECORD TO DEVELOP PROJECT SPECIFIC DETAILS. ZOLA RESERVES RIGHTS TO MAKE TECHNICAL CHANGES AND UPDATES WHICH MAY NOT BE REFLECTED IN DRAWINGS

No.	Description	Date

THERMO WOOD
DOOR DETAILS

BREEZE PANELS

Project number
Date MAY 2024
Drawn by
Checked by

A103

Scale AS INDICATED