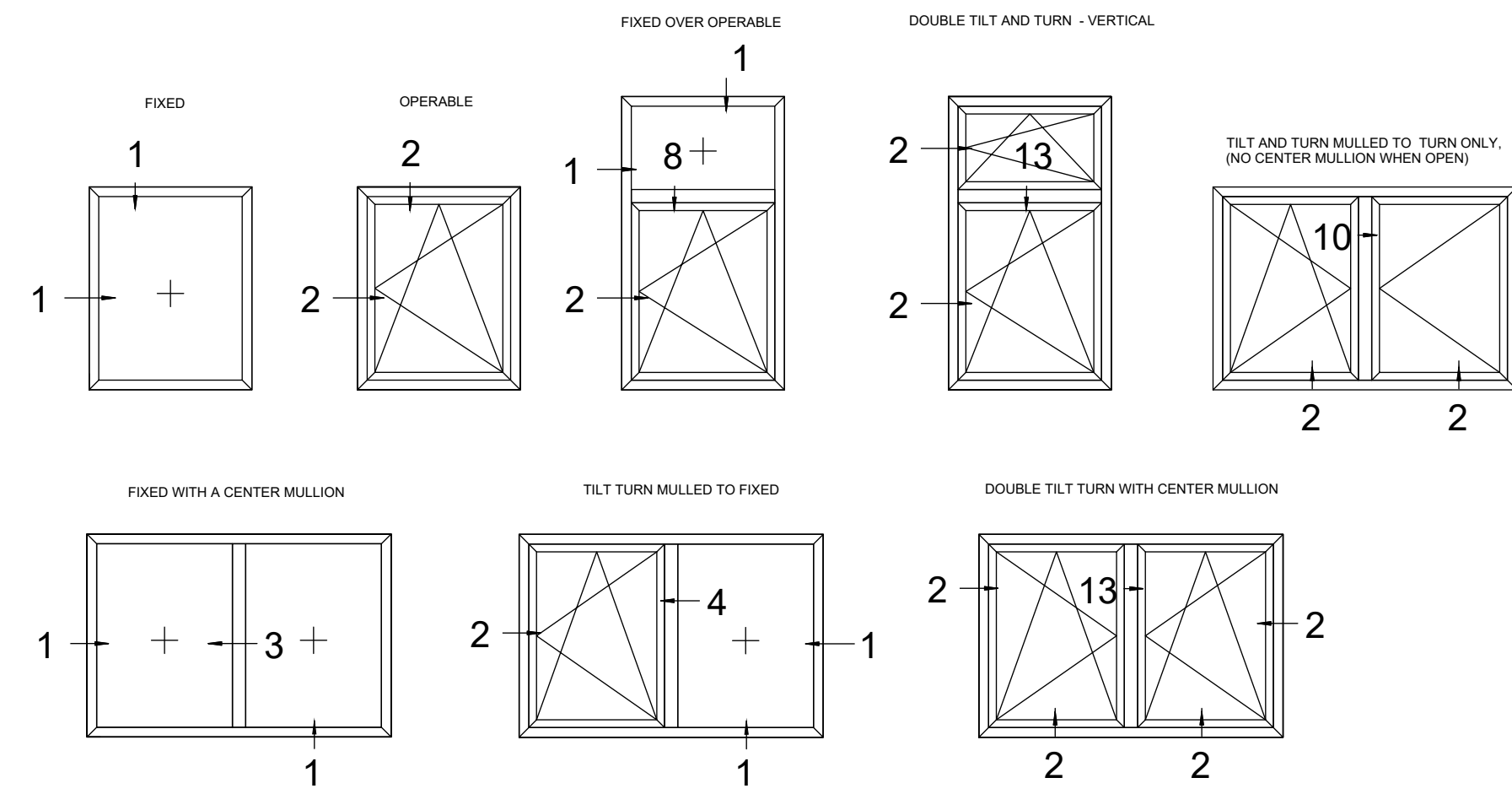
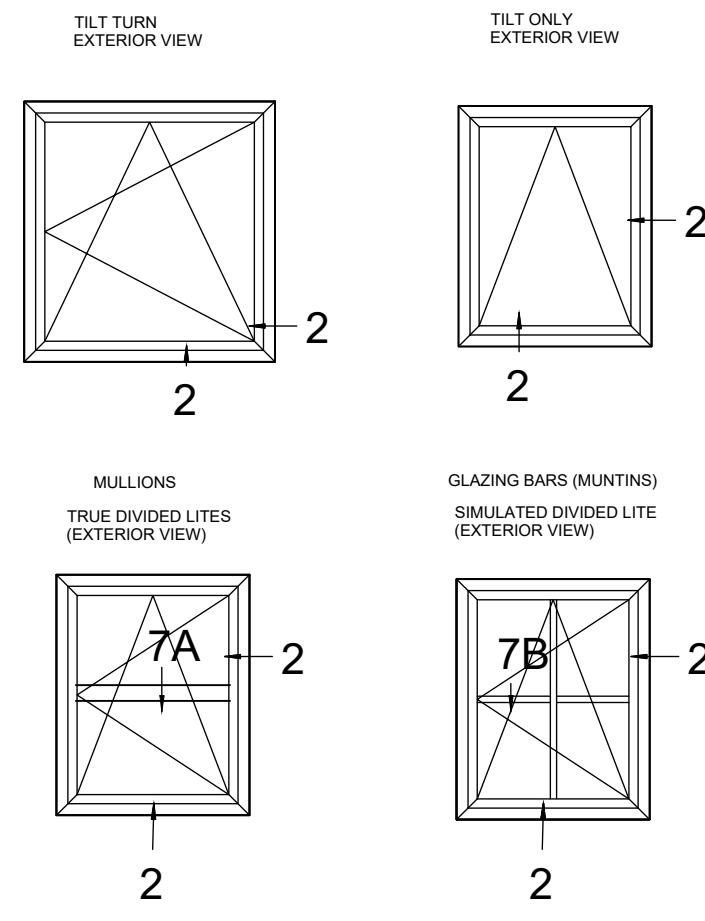


ELEVATIONS

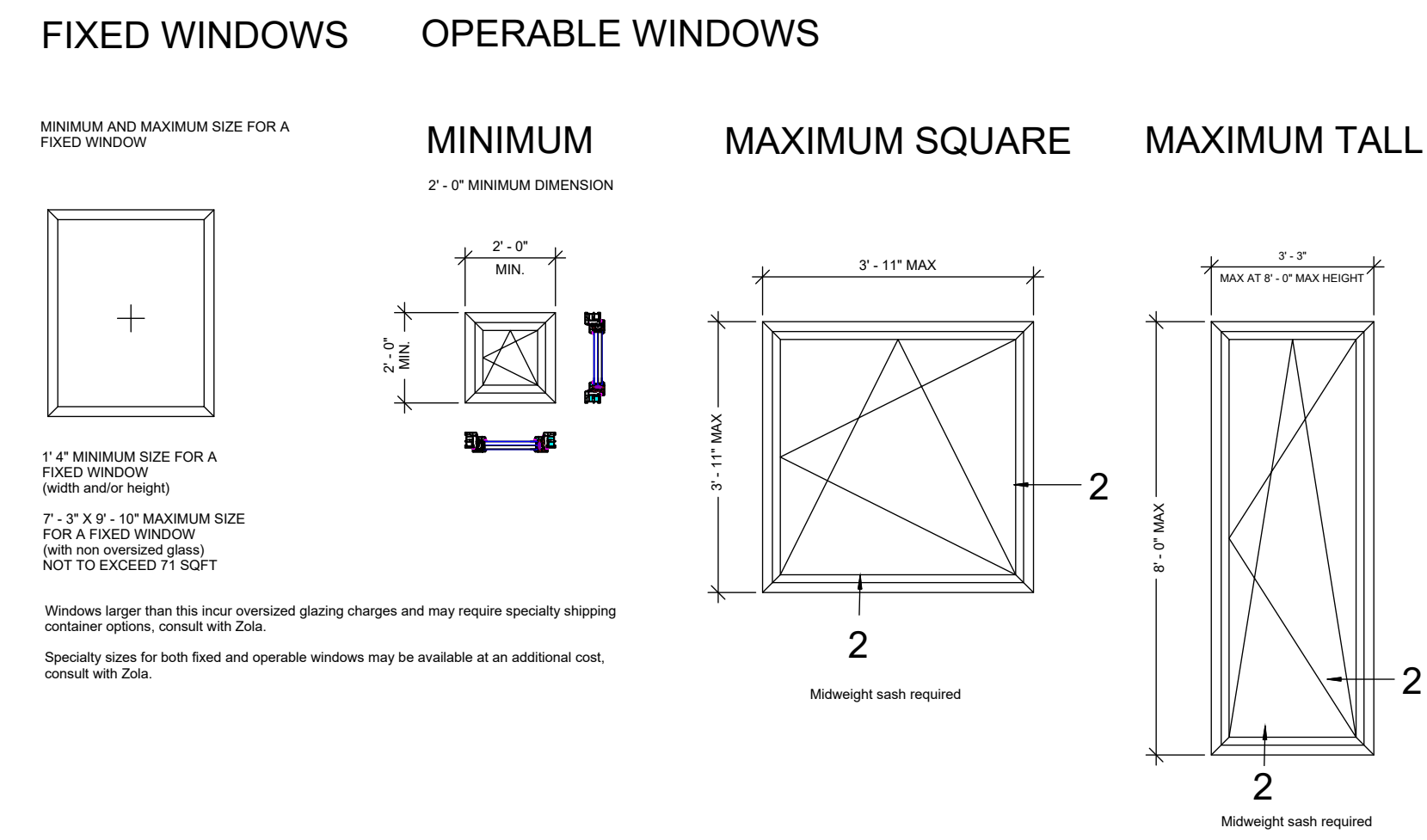
COMMON CONFIGURATIONS:



SWING AND DIVIDER OPTIONS:

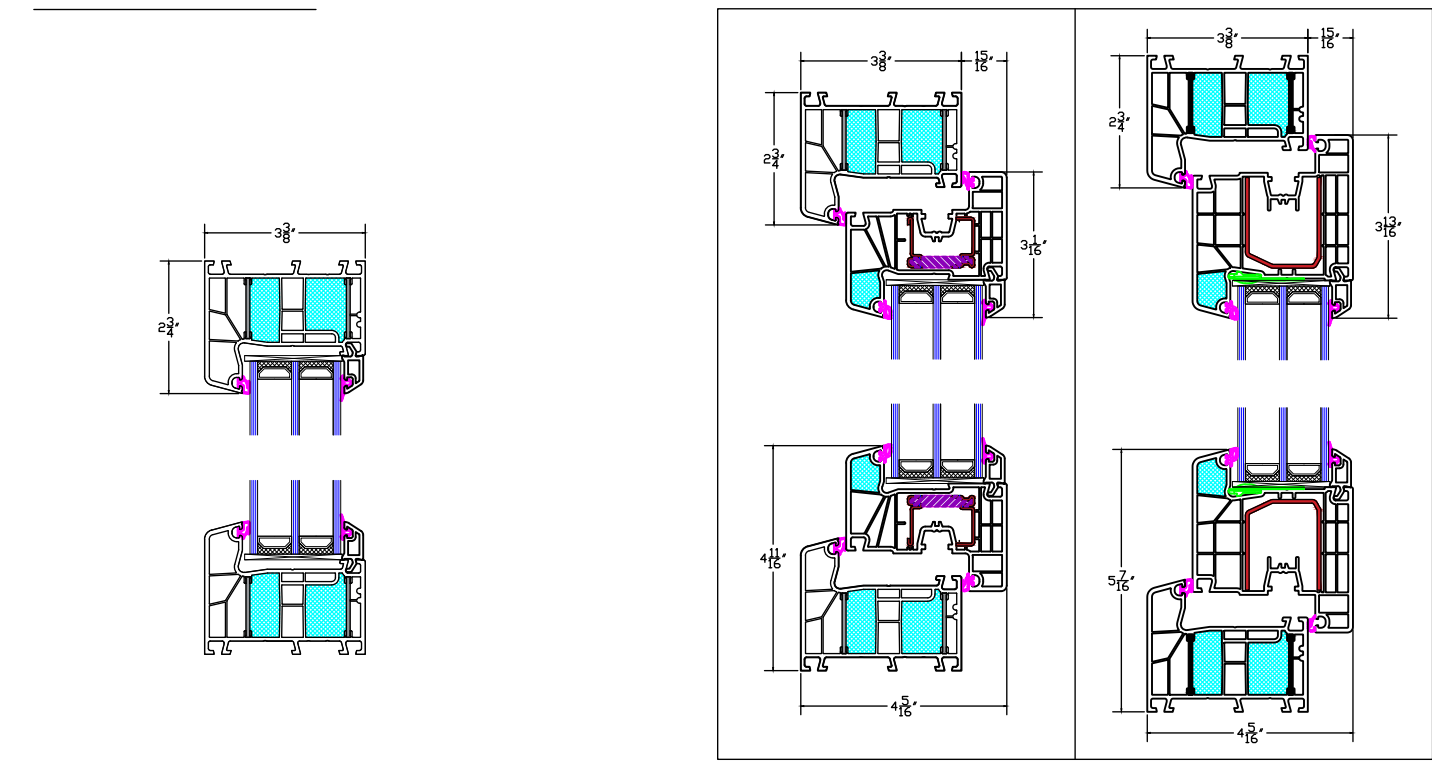


SIZING:



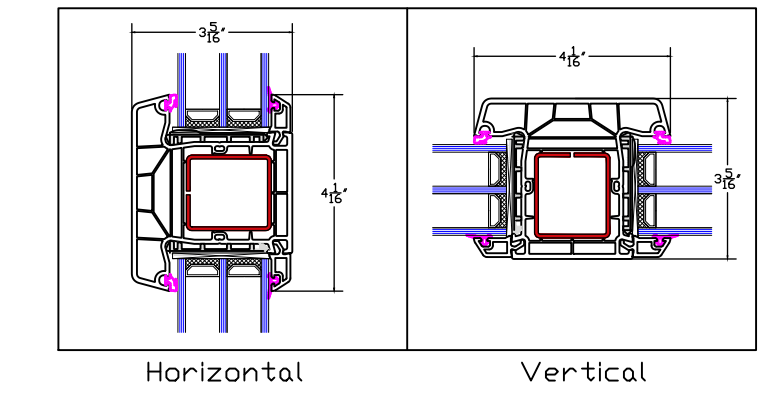
A ELEVATIONS - ZOLA THERMO UPVC NOT TO SCALE

DETAILS



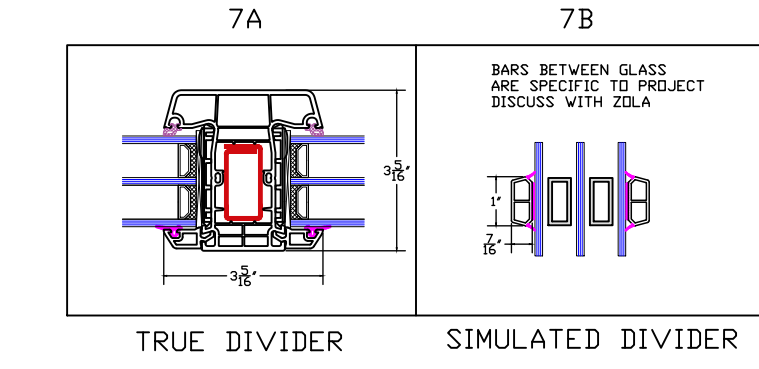
1 WINDOW DETAIL - FIXED 3" = 1'-0"

2 WINDOW DETAIL OPERABLE SILL HEAD AND JAMB 3" = 1'-0"

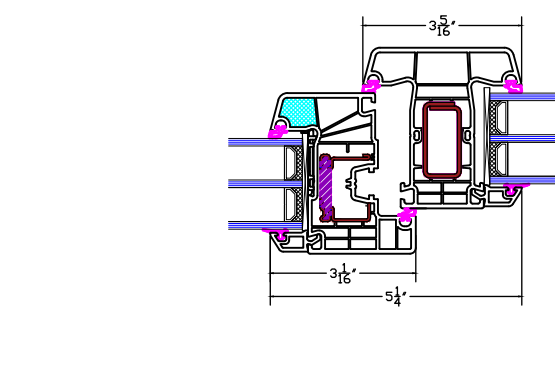


3 WINDOW DETAIL - FACTORY MULLERED FIXED TO FIXED 3" = 1'-0"

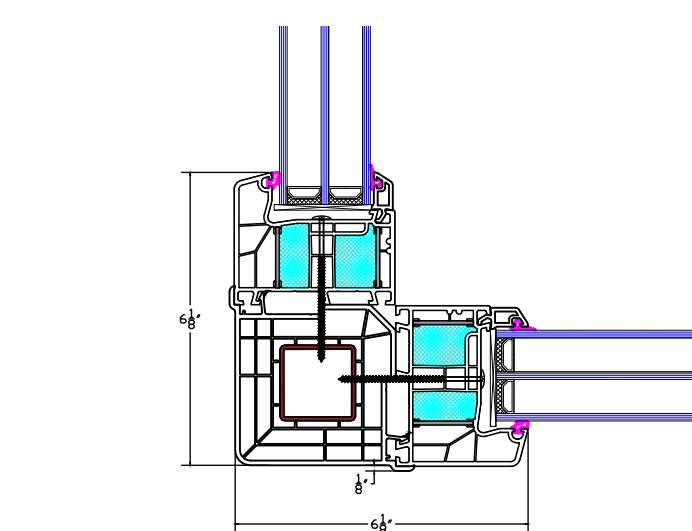
4 WINDOW DETAIL - TILT TURN MULLERED TO FIXED 3" = 1'-0"



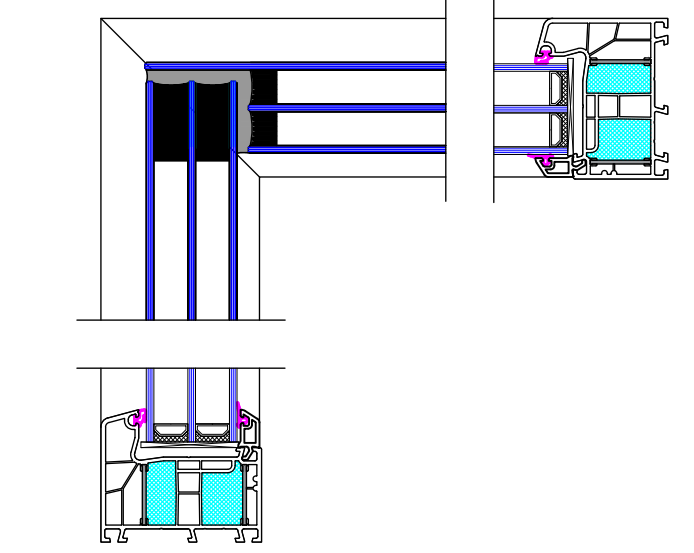
7 WINDOW DETAIL - DIVIDED LITES 3" = 1'-0"



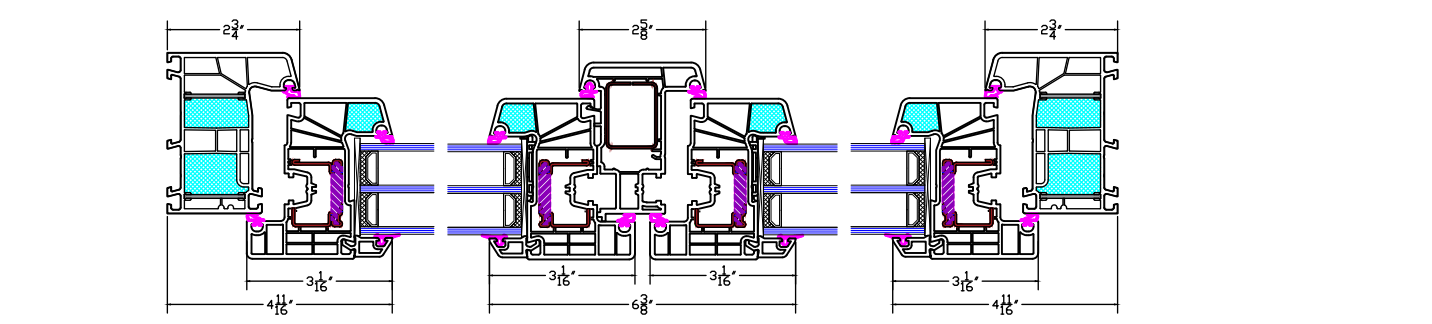
8 WINDOW DETAIL FIXED OVER OPERABLE 3" = 1'-0"



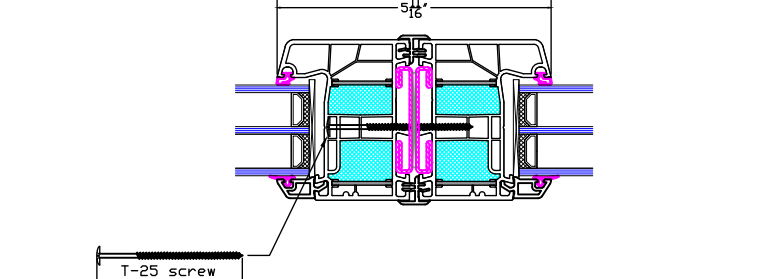
9 WINDOW DETAIL FIXED OVER OPERABLE SITE MULLERED 3" = 1'-0"



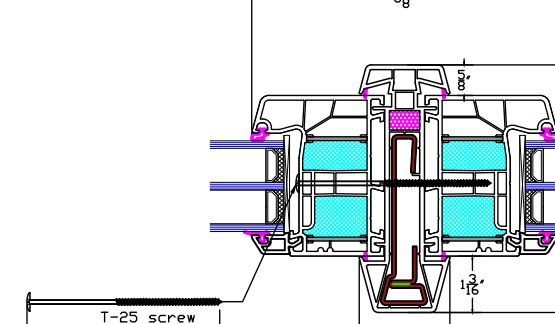
10 POSTED CORNER WITH FIXED WINDOWS 3" = 1'-0"



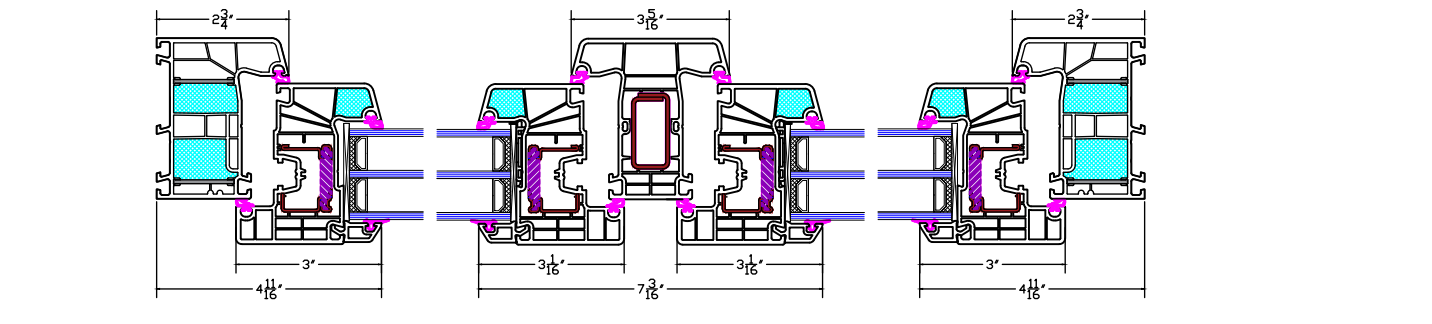
11 WINDOW DETAIL - DOUBLE FRENCH WINDOW 3" = 1'-0"



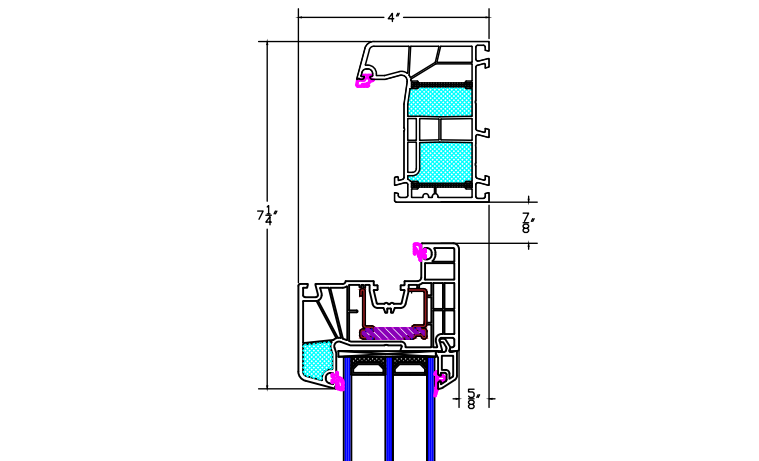
12 WINDOW DETAIL - FIXED SITE MULLERED TO FIXED 3" = 1'-0"



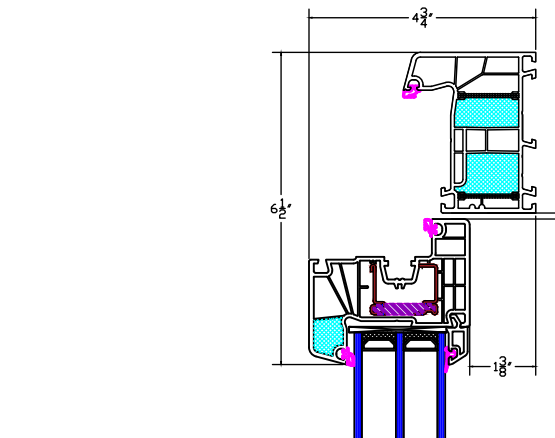
13 WINDOW DETAIL - FIXED SITE MULLERED TO FIXED WITH REINFORCEMENT 3" = 1'-0"



14 WINDOW DETAIL - STANDARD DOUBLE TILT & TURN WITH FIXED CENTER MULLION 3" = 1'-0"

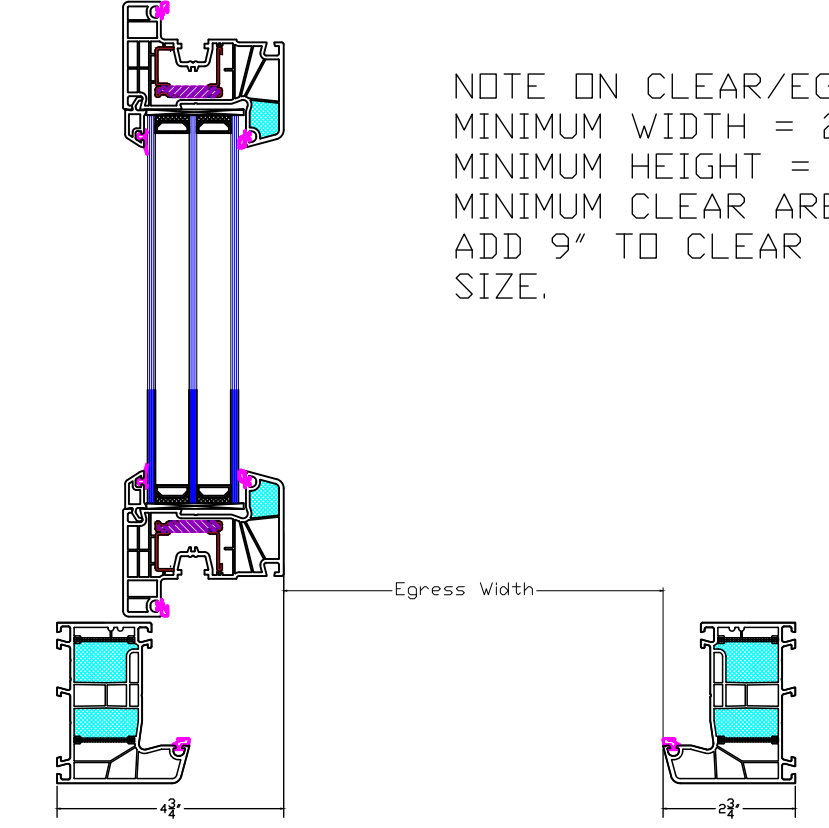


15 WINDOW DETAIL - OPERABLE SASH WITH EXPOSED HINGES, OPEN TO 90 DEGREES 3" = 1'-0"



16 WINDOW DETAIL - OPERABLE SASH WITH CONCEALED HINGES, OPEN TO 90 DEGREES 3" = 1'-0"

EGRESS DIMENSIONS



NOTE ON CLEAR/EGRESS AREA:
MINIMUM WIDTH = 20"
MINIMUM HEIGHT = 24"
MINIMUM CLEAR AREA = 5.7 SQ.FT.
ADD 9" TO CLEAR AREA TO GET FRAME SIZE.

16 EGRESS DETAILS NOT TO SCALE

NOTE: DETAILS PROVIDED FOR EXPLANATION ONLY. ARCHITECT AND ENGINEER OF RECORD TO DEVELOP PROJECT SPECIFIC DETAILS. ZOLA RESERVES RIGHTS TO MAKE TECHNICAL CHANGES AND UPDATES WHICH MAY NOT BE REFLECTED IN DRAWINGS

No.	Description	Date

THERMO PLUS UPVC WINDOW DETAILS

FIXED AND TILT & TURN

Project number _____

Date JULY 2023

Drawn by _____

Checked by _____

A101

Scale As indicated