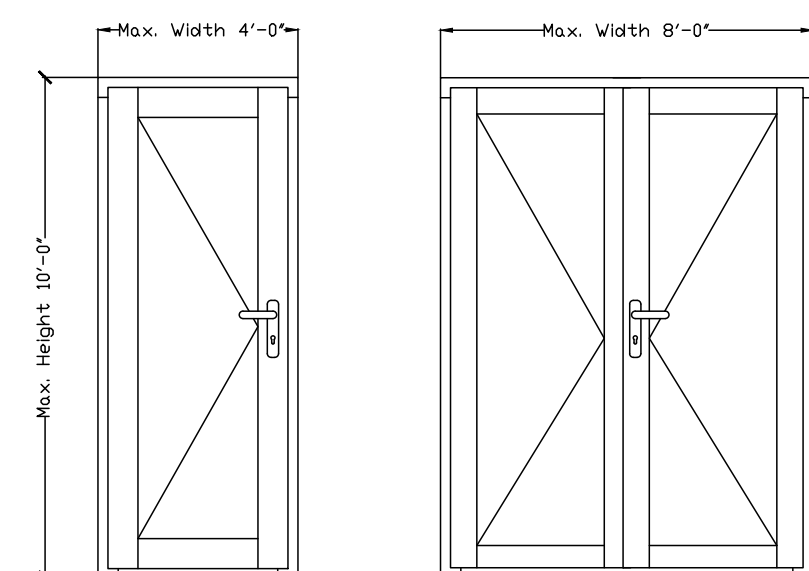
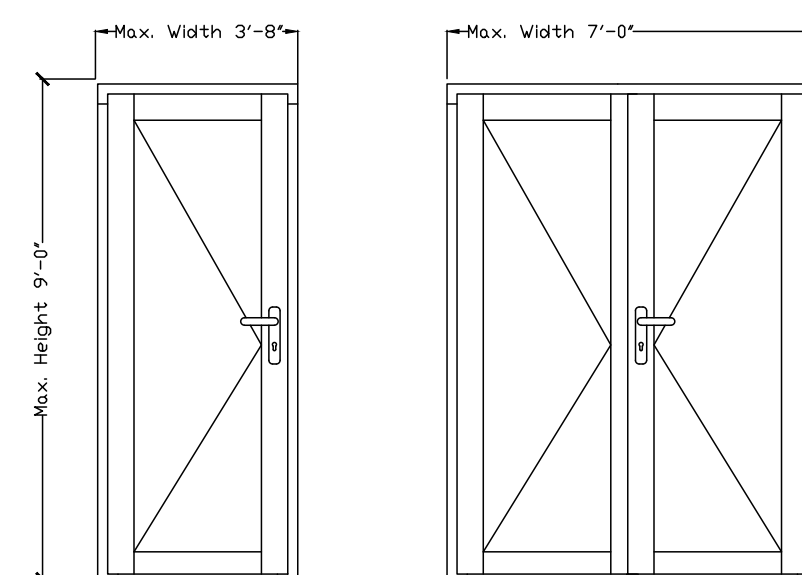


# Swing Doors

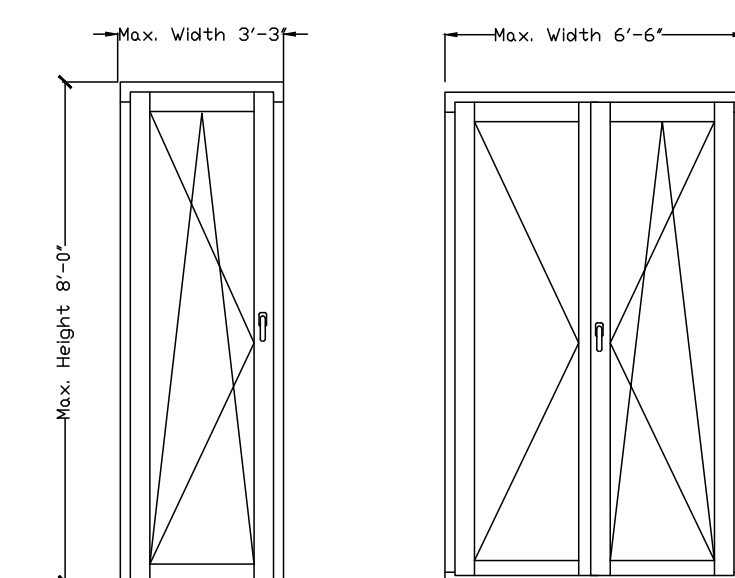
## ELEVATIONS



**A** ELEVATIONS - ENTRY DOORS  
3/8" = 1'-0"

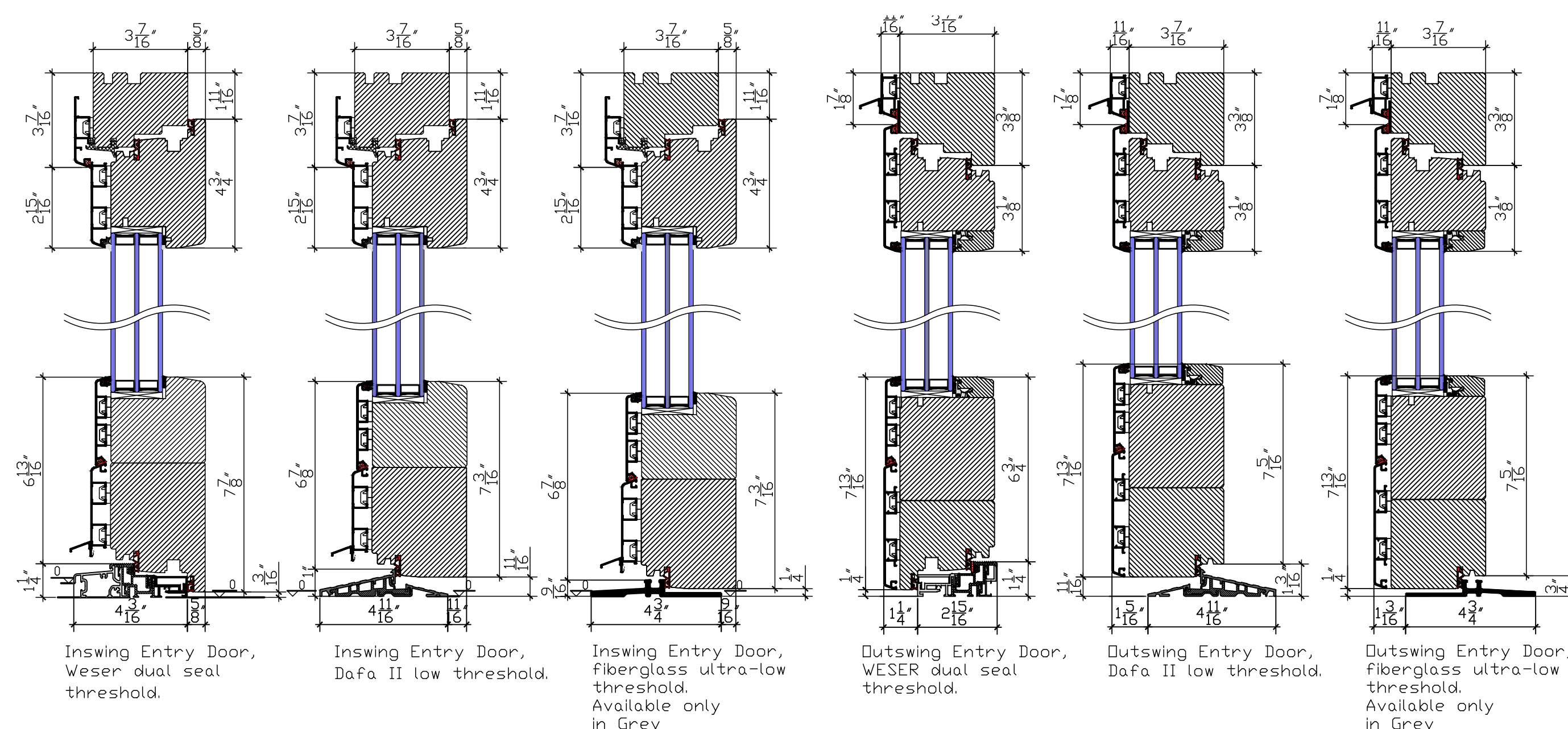


**B** ELEVATIONS - TERRACE DOORS  
3/8" = 1'-0"

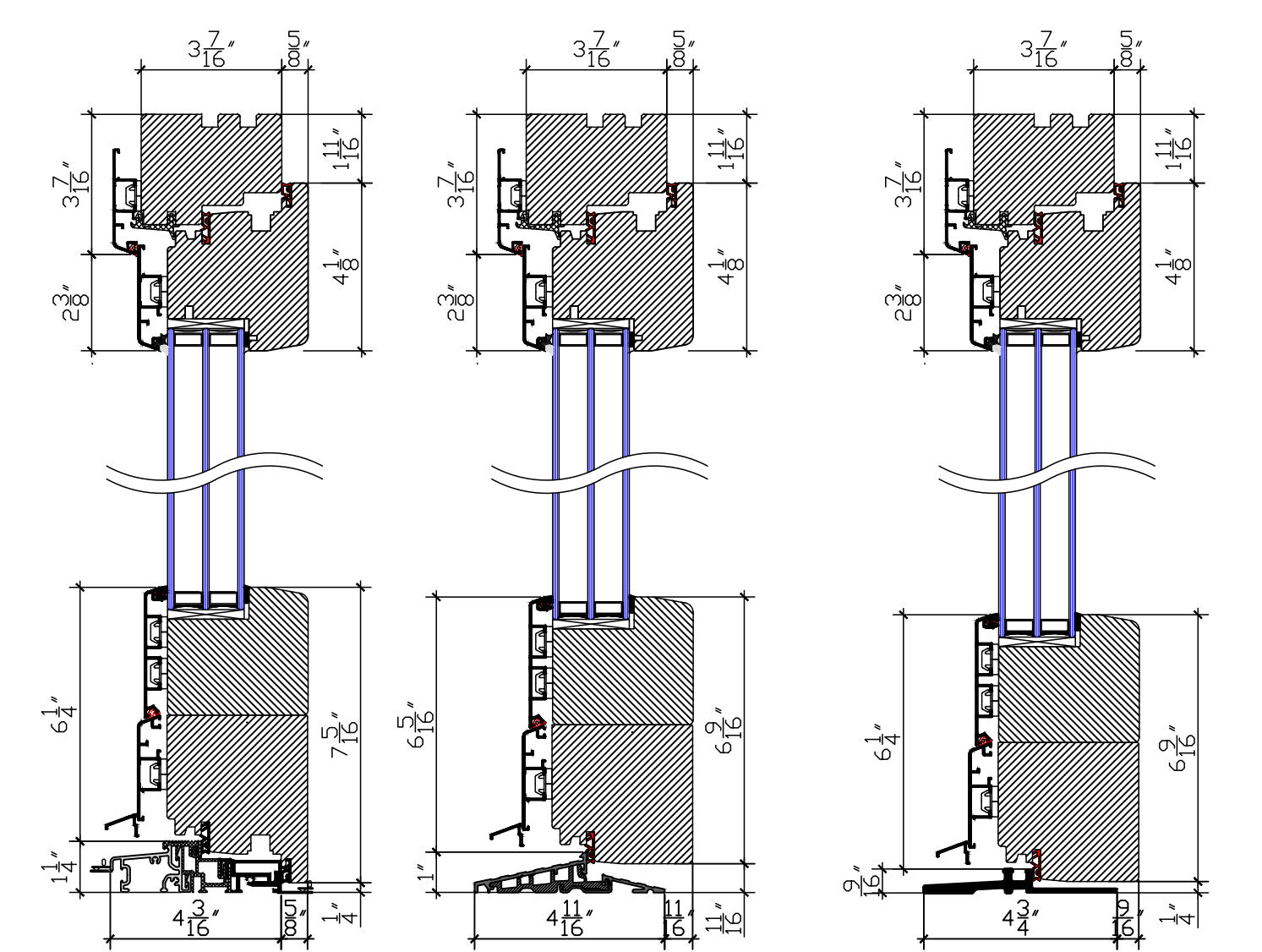


**C** ELEVATIONS - BALCONY DOORS  
3/8" = 1'-0"

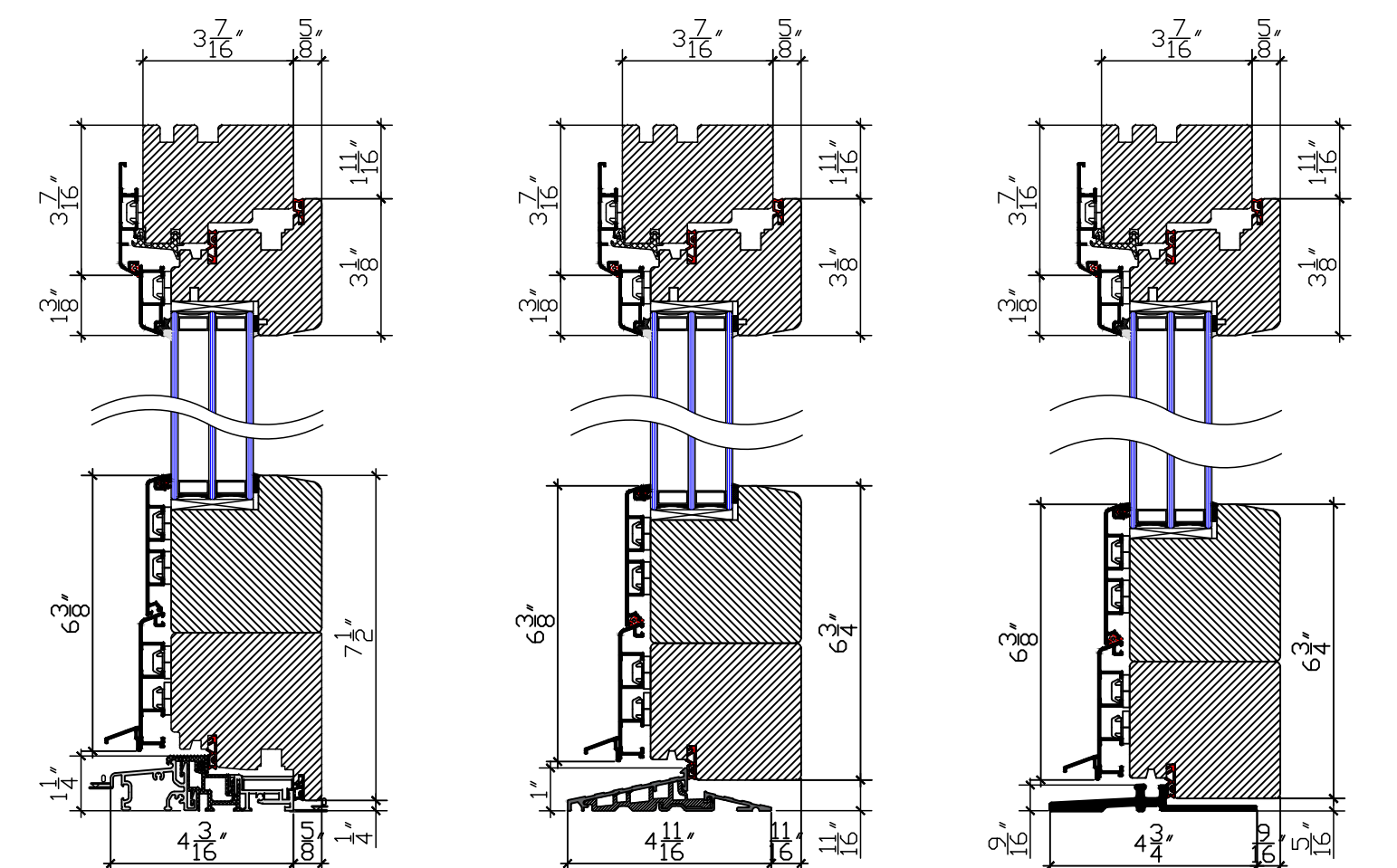
## DETAILS



**1** STANDARD ENTRY DOOR DETAILS  
3" = 1'-0"

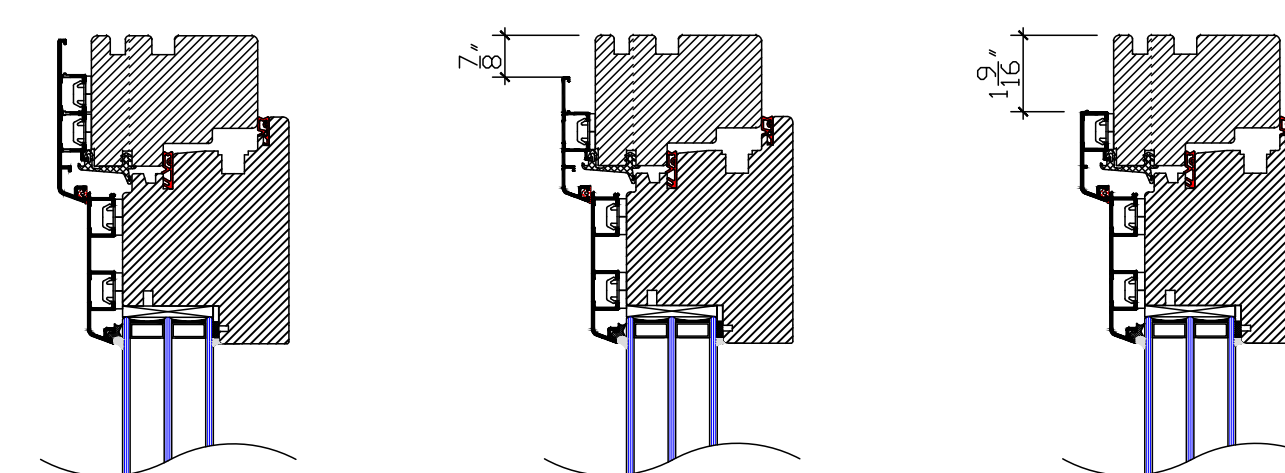


**2** STANDARD TERRACE DOOR DETAILS  
3" = 1'-0"

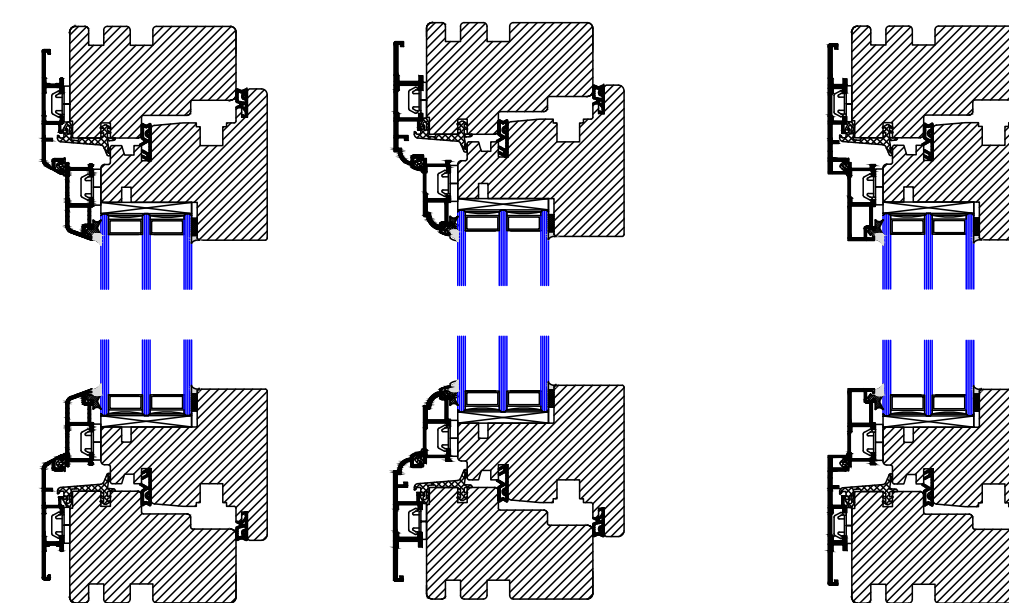


**3** STANDARD BALCONY DOOR DETAILS  
3" = 1'-0"

## OPTIONS



**4** CLADDING LENGTH OPTIONS - CLASSIC STYLE CLADDING SHOWN  
3" = 1'-0"



Classic Heritage Quadrat

**5** CLADDING STYLE OPTIONS - SHOWN ON WINDOW DETAIL  
3" = 1'-0"



**6** INTERIOR SILL MILLING OPTIONS- SQUARED OR SLOPED  
3" = 1'-0"

NOTE: DETAILS PROVIDED FOR EXPLANATION ONLY. ARCHITECT AND ENGINEER OF RECORD TO DEVELOP PROJECT SPECIFIC DETAILS. ZOLA RESERVES RIGHTS TO MAKE TECHNICAL CHANGES AND UPDATES WHICH MAY NOT BE REFLECTED IN DRAWINGS.

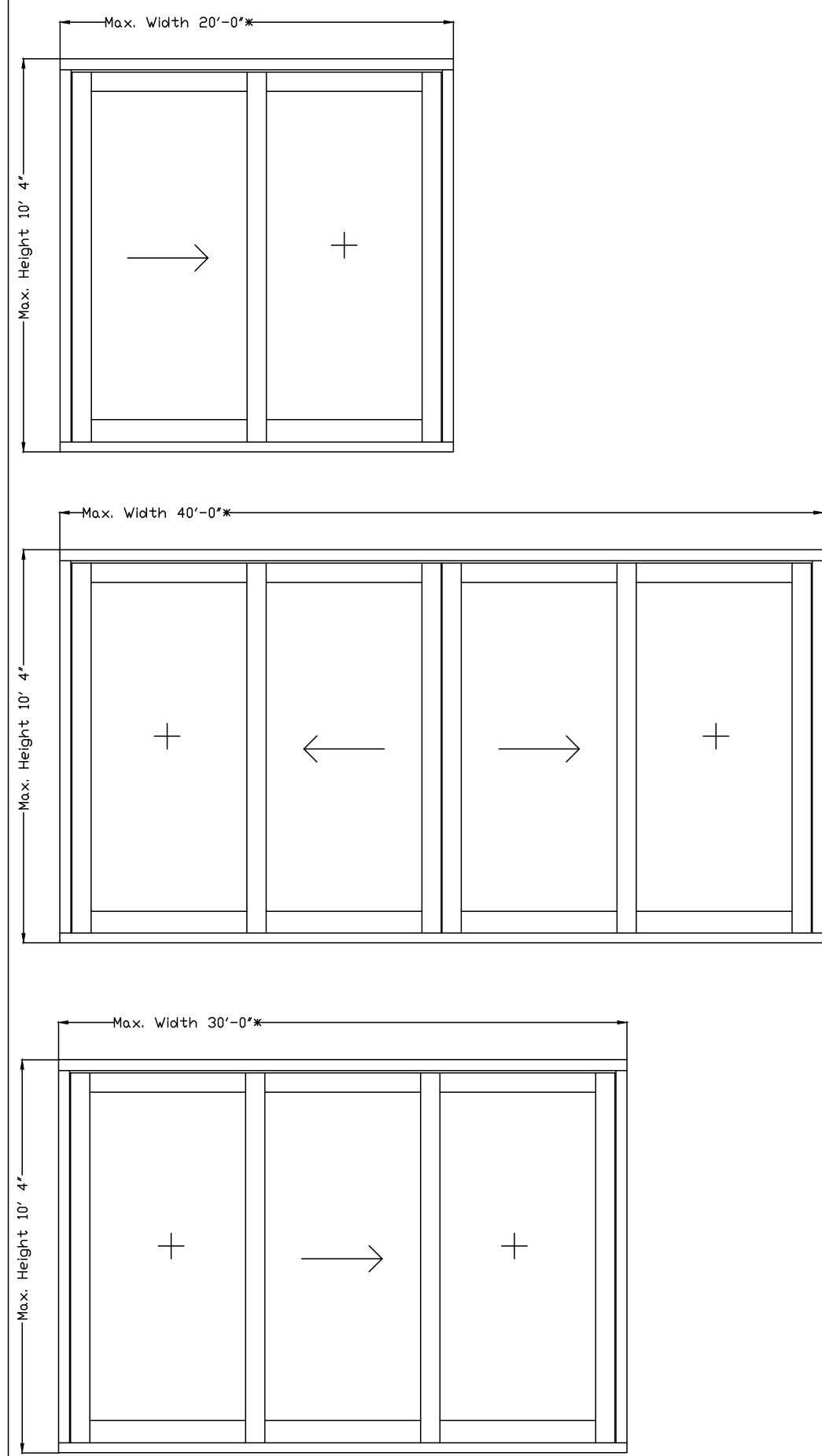
No.	Description	Date

### THERMO CLAD DOOR DETAILS ENTRY, TERRACE, BALCONY

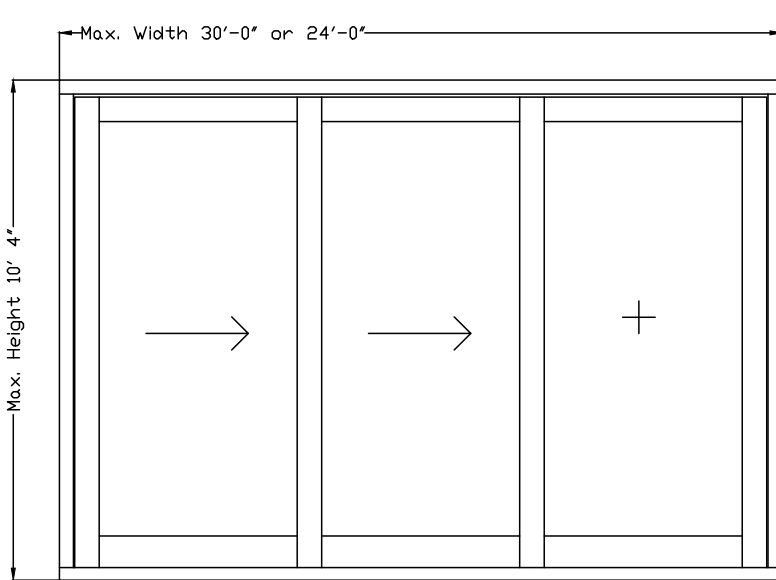
Project number	
Date	MAY 2024
Drawn by	
Checked by	
<b>A101</b>	
Scale	AS INDICATED

# New Generation Lift-Slide Doors

## ELEVATIONS



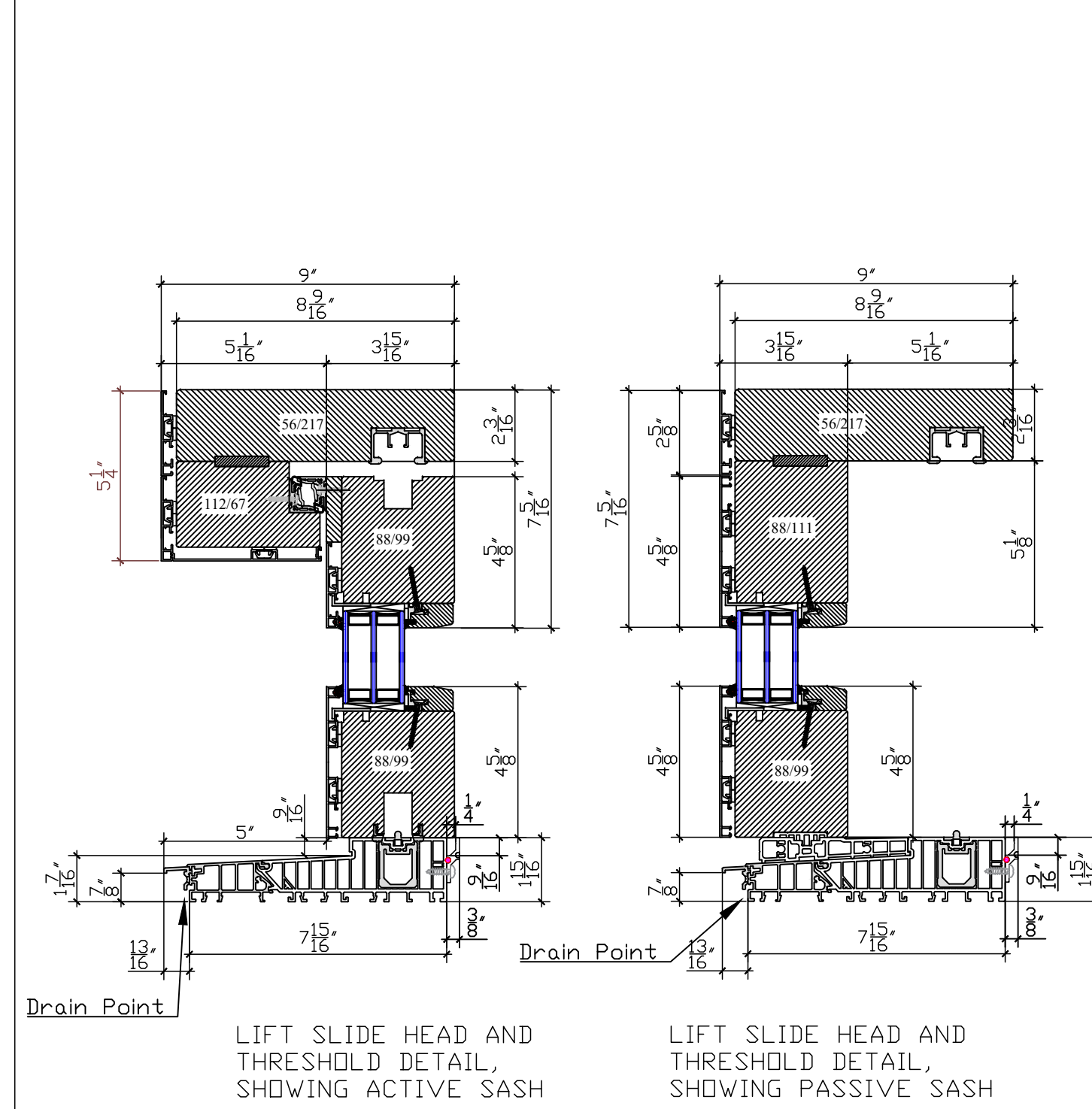
① ELEVATIONS - LIFT-SLIDE DOORS  
3/8" = 1'-0"



\*Note: each panel can be a maximum of 10'x8' either orientation

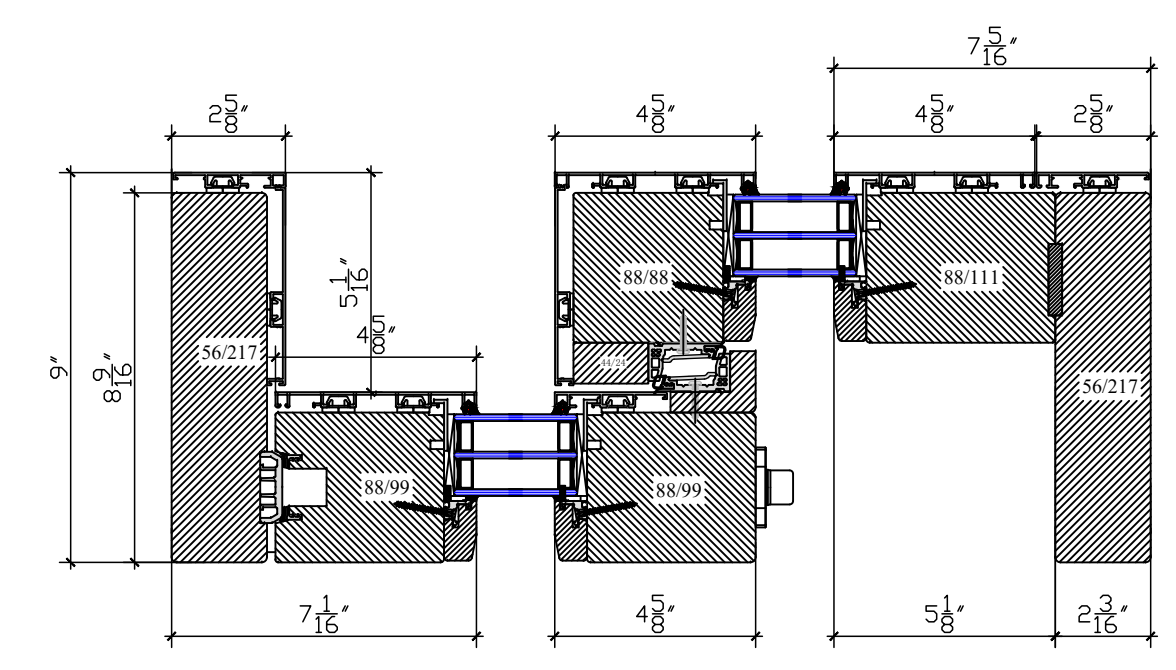
② ELEVATIONS - TRIPLE LIFT-SLIDE DOORS  
3/8" = 1'-0"

## DETAILS

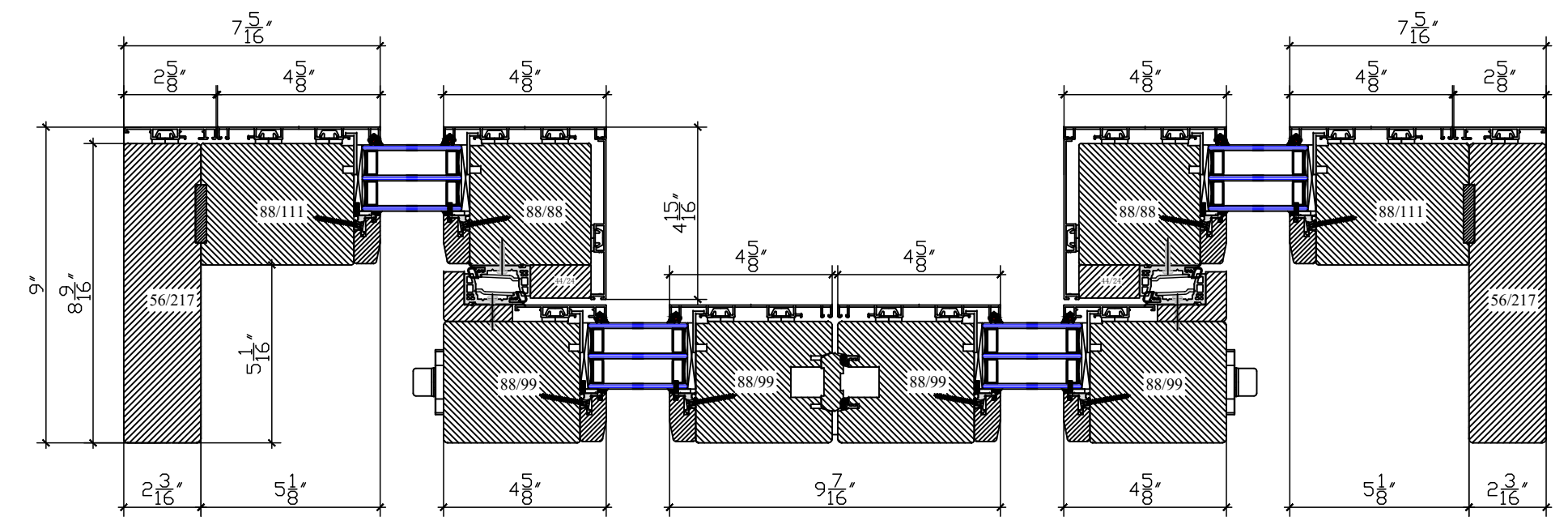


LIFT SLIDE HEAD AND THRESHOLD DETAIL, SHOWING ACTIVE SASH  
LIFT SLIDE HEAD AND THRESHOLD DETAIL, SHOWING PASSIVE SASH

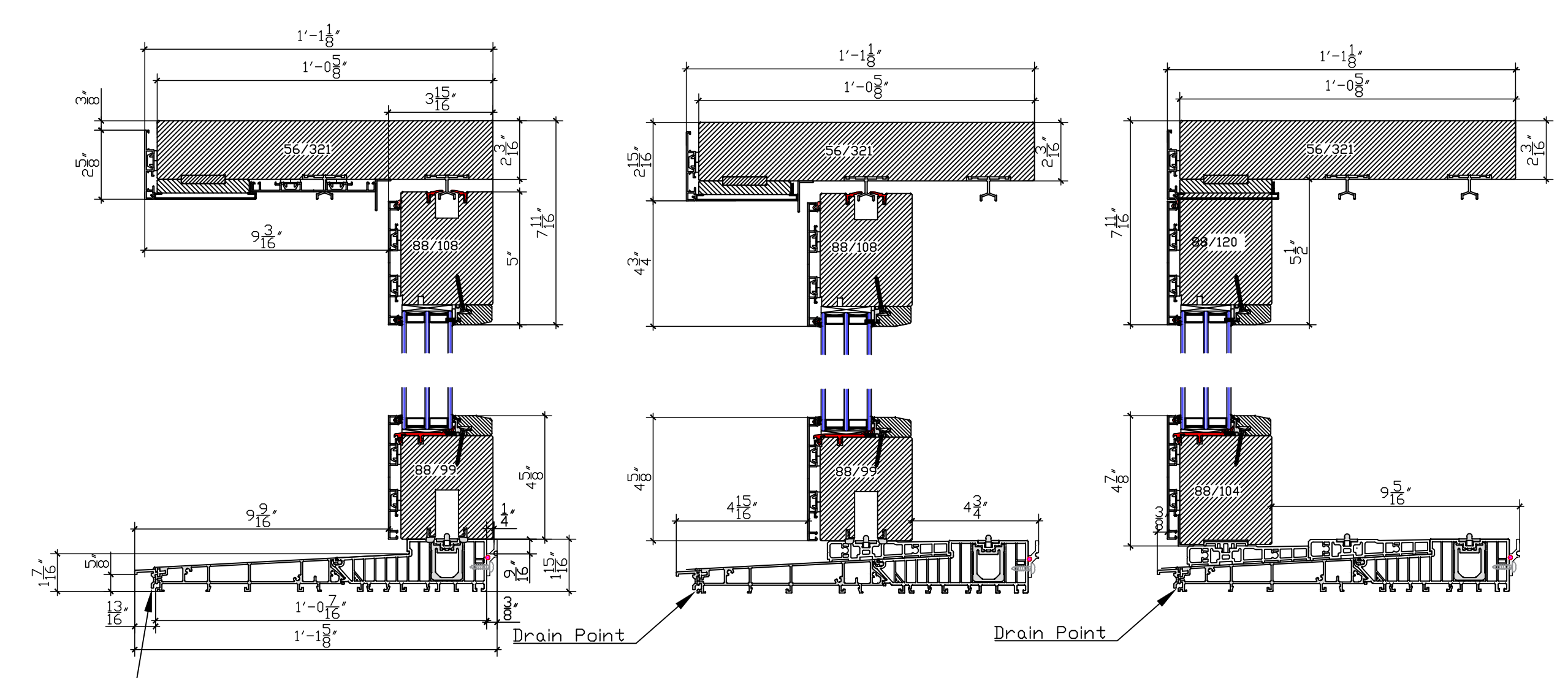
① NEW GENERATION LIFT-SLIDE DOOR DETAIL (QUADRAT CLADDING ONLY)  
3" = 1'-0"



XD LIFT SLIDE PLAN SECTION



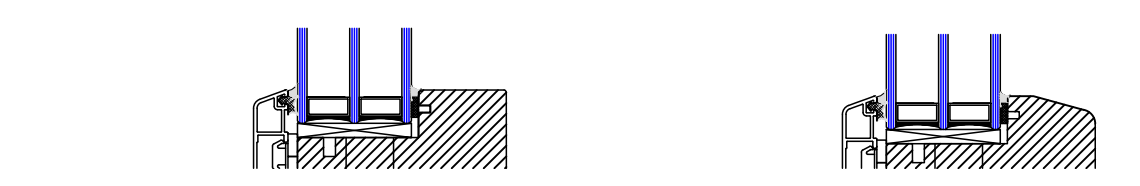
DXXD LIFT SLIDE PLAN SECTION



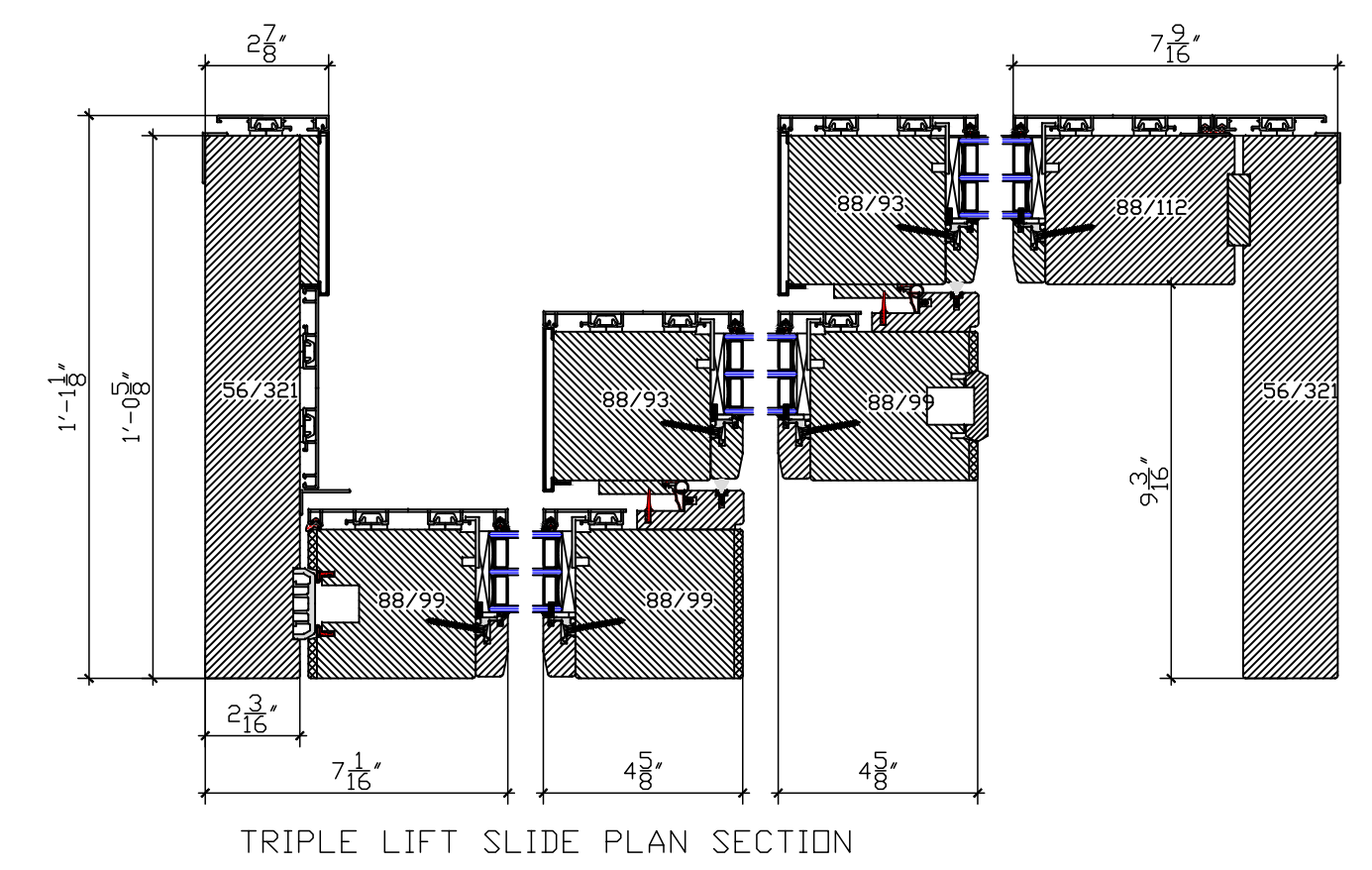
TRIPLE LIFT SLIDE HEAD AND THRESHOLD DETAIL, SHOWING ACTIVE INTERIOR SASH  
TRIPLE LIFT SLIDE HEAD AND THRESHOLD DETAIL, SHOWING ACTIVE CENTER SASH  
TRIPLE LIFT SLIDE HEAD AND THRESHOLD DETAIL, SHOWING EXTERIOR FIXED SASH

② NEW GENERATION TRIPLE LIFT-SLIDE DOOR DETAIL (QUADRAT CLADDING ONLY)  
3" = 1'-0"

## OPTIONS



③ INTERIOR SILL MILLING OPTIONS- SQUARED OR SLOPED  
3" = 1'-0"



TRIPLE LIFT SLIDE PLAN SECTION

NOTE: DETAILS PROVIDED FOR EXPLANATION ONLY.  
ARCHITECT AND ENGINEER OF RECORD TO DEVELOP PROJECT SPECIFIC DETAILS.  
ZOLA RESERVES RIGHTS TO MAKE TECHNICAL CHANGES AND UPDATES WHICH MAY NOT BE REFLECTED IN DRAWINGS

No.	Description	Date

**THERMO CLAD**  
**DOOR DETAILS**  
**NEW GENERATION**  
**LIFT SLIDE**

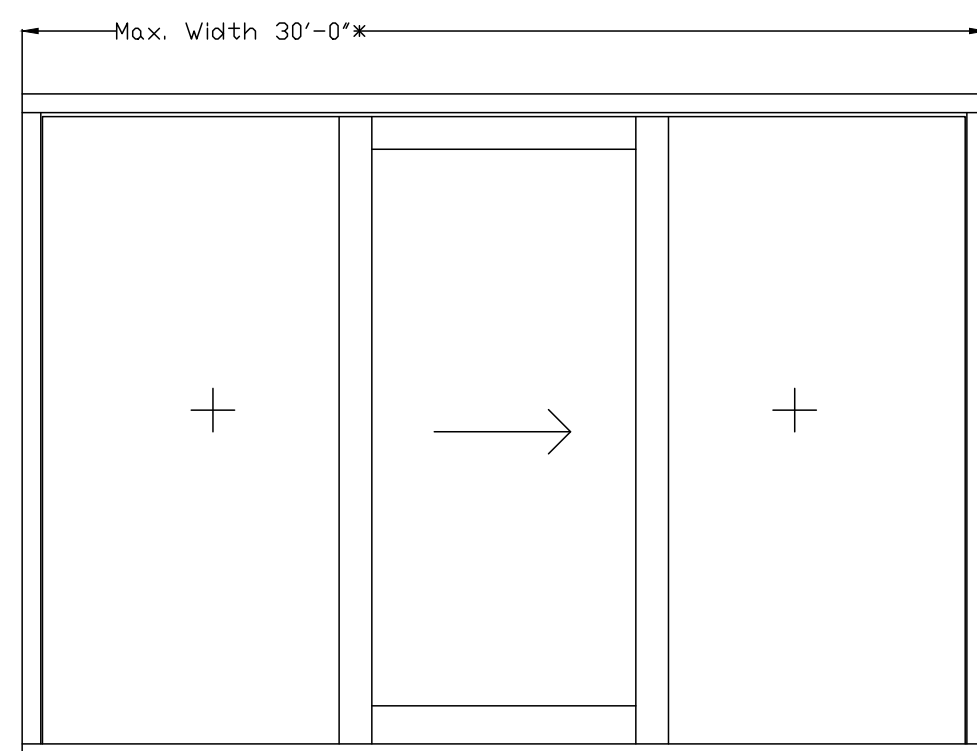
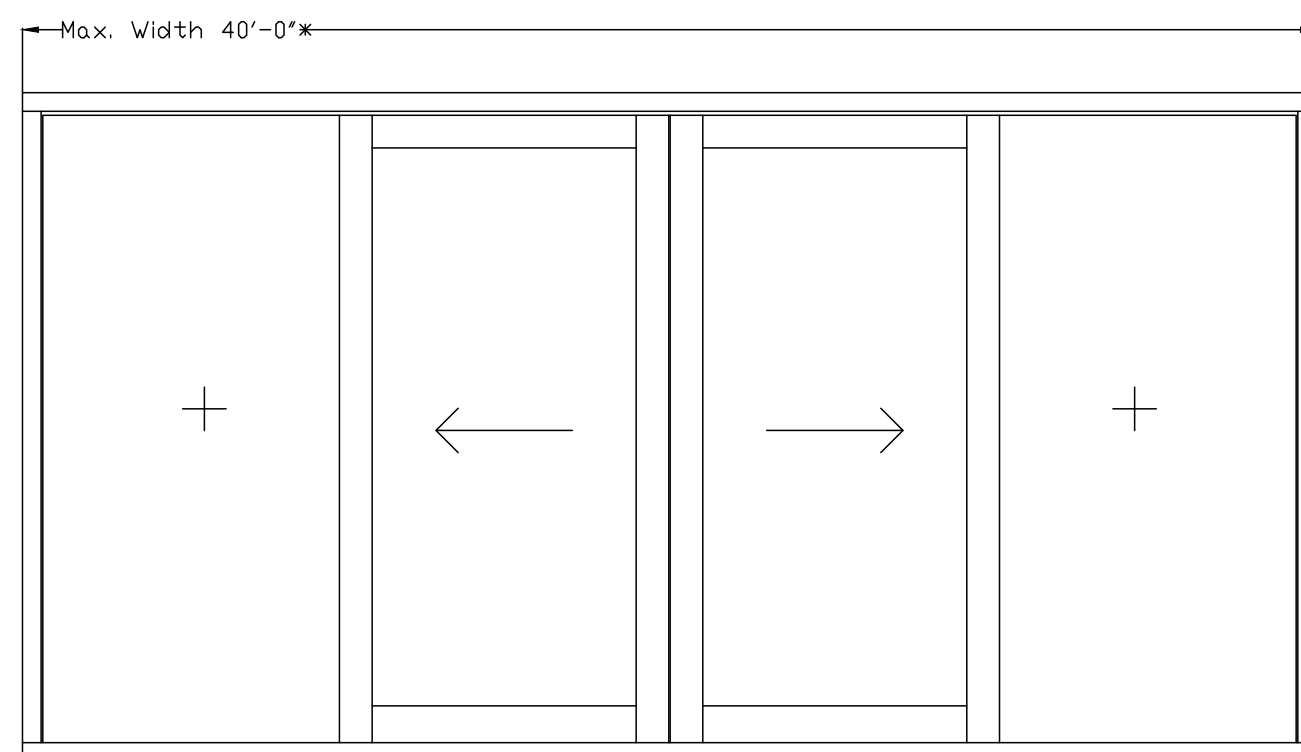
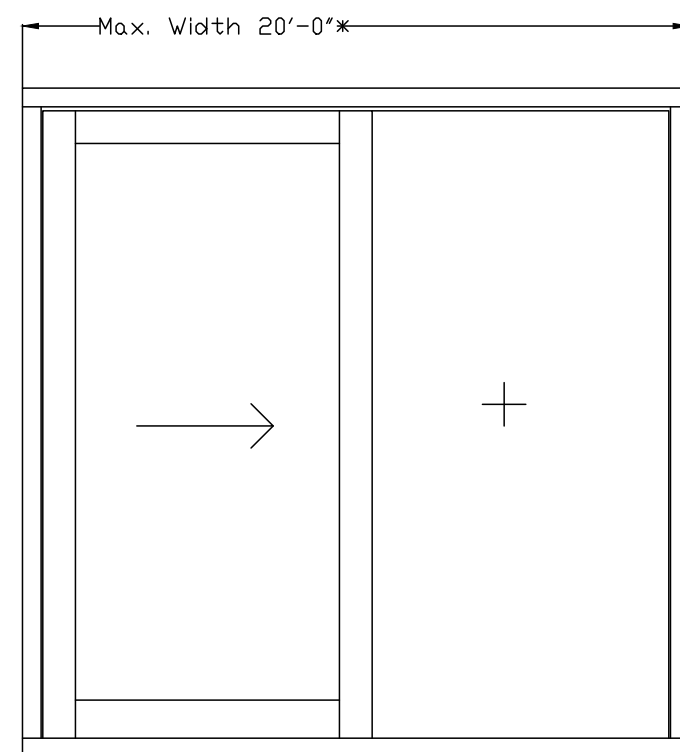
Project number  
Date: MAY 2024  
Drawn by  
Checked by

**A102**

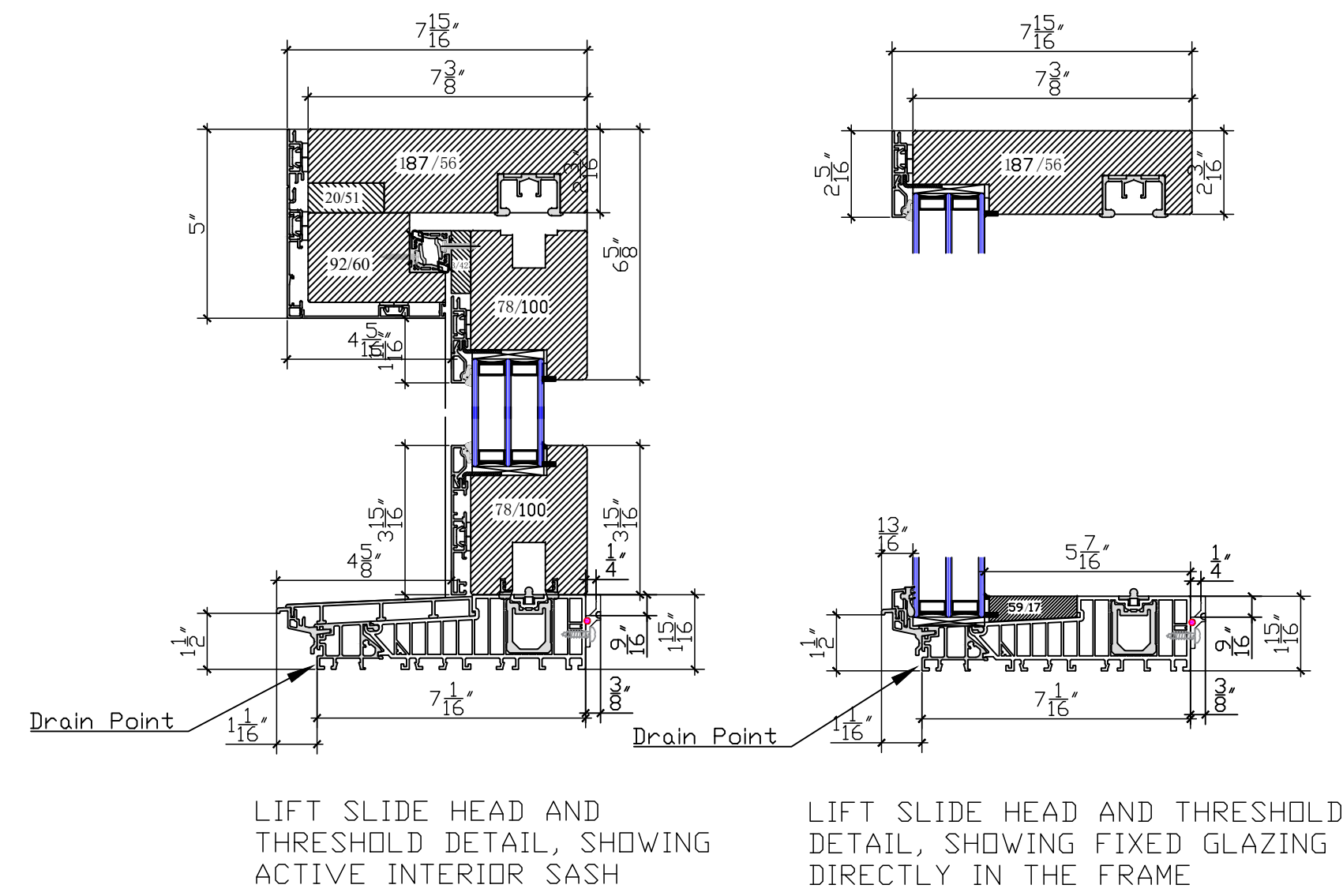
Scale AS INDICATED

# Panoramic View New Generation Lift-Slide Doors

## ELEVATIONS

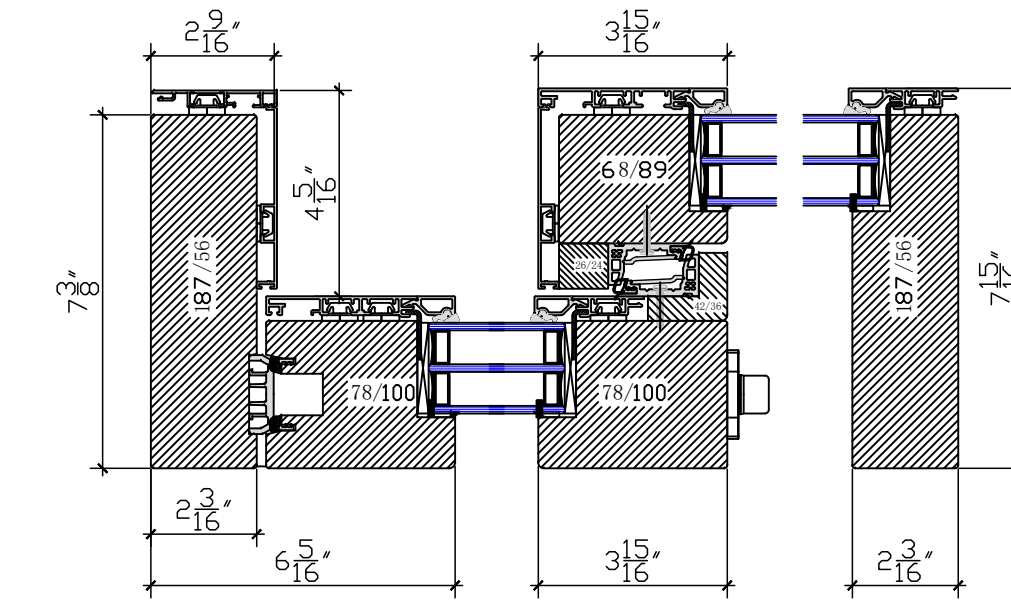


## DETAILS

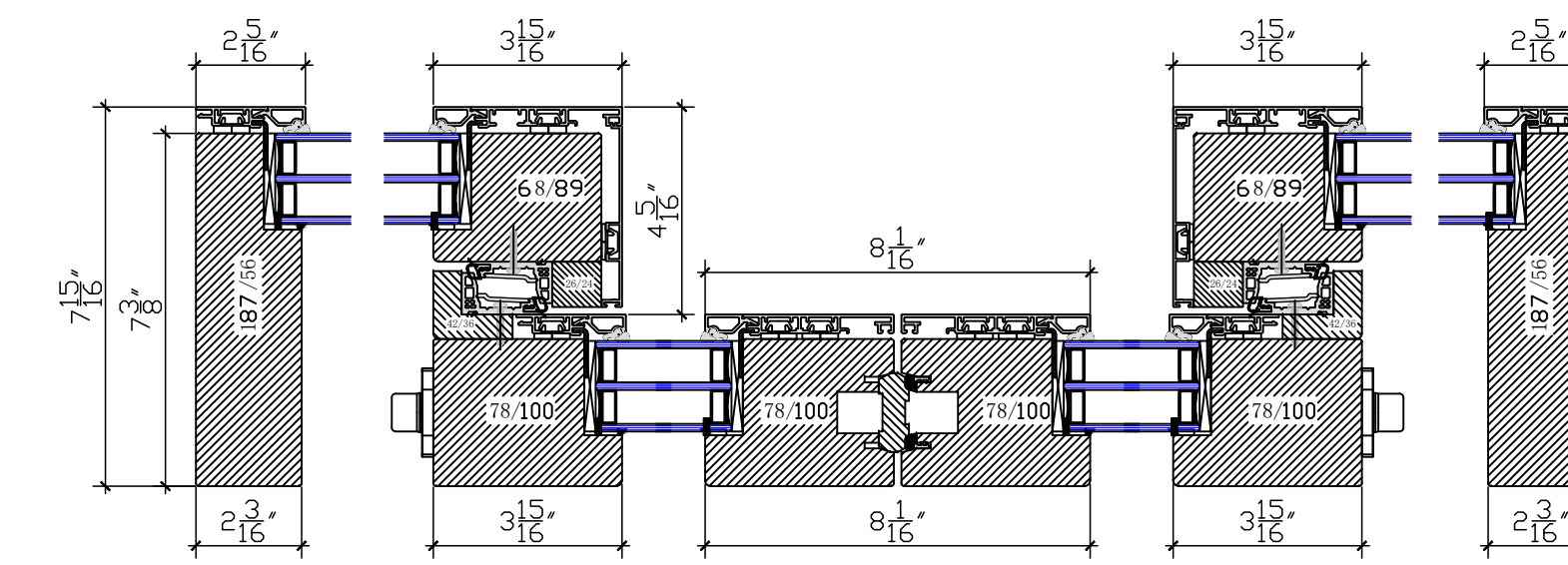


LIFT SLIDE HEAD AND THRESHOLD DETAIL, SHOWING ACTIVE INTERIOR SASH

LIFT SLIDE HEAD AND THRESHOLD DETAIL, SHOWING FIXED GLAZING DIRECTLY IN THE FRAME



X0 LIFT SLIDE PLAN SECTION

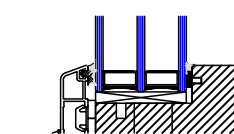


DXX0 LIFT SLIDE PLAN SECTION

① NEW GENERATION PANORAMIC VIEW LIFT-SLIDE DOOR DETAIL (QUADRAT CLADDING ONLY)  
3" = 1'-0"

Ⓐ ELEVATIONS - PANORAMIC VIEW LIFT-SLIDE DOORS  
1/2" = 1'-0"

## OPTIONS



② INTERIOR SILL MILLING ONLY AVAILABLE IN SQUARED  
3" = 1'-0"

NOTE: DETAILS PROVIDED FOR EXPLANATION ONLY. ARCHITECT AND ENGINEER OF RECORD TO DEVELOP PROJECT SPECIFIC DETAILS. ZOILA RESERVES RIGHTS TO MAKE TECHNICAL CHANGES AND UPDATES WHICH MAY NOT BE REFLECTED IN DRAWINGS

No.	Description	Date

### THERMO CLAD DOOR DETAILS

#### PANORAMIC VIEW NEW GEN LIFT SLIDE

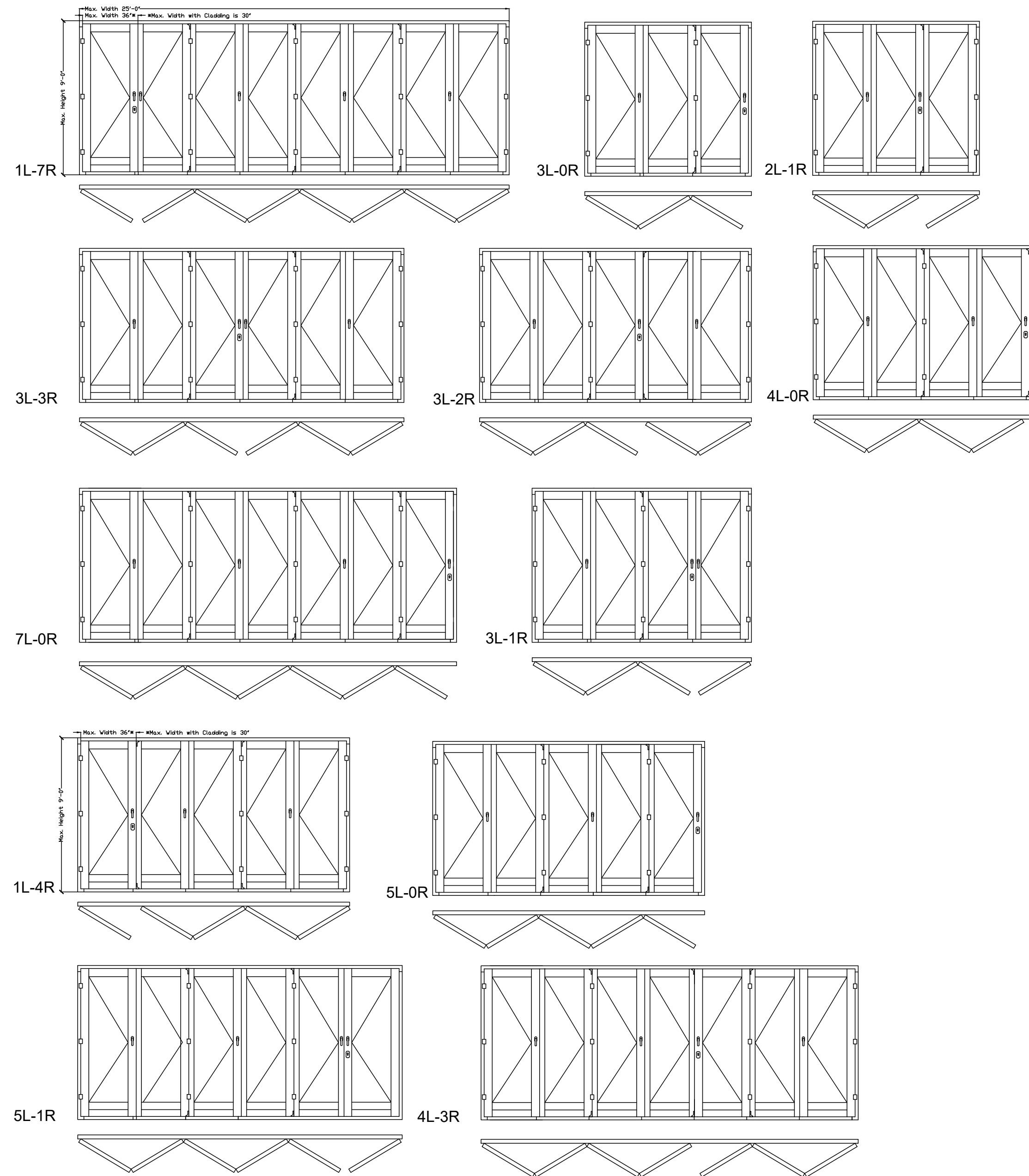
Project number \_\_\_\_\_  
 Date MAY 2024  
 Drawn by \_\_\_\_\_  
 Checked by \_\_\_\_\_

## A103

Scale AS INDICATED

# Breeze Panel Doors

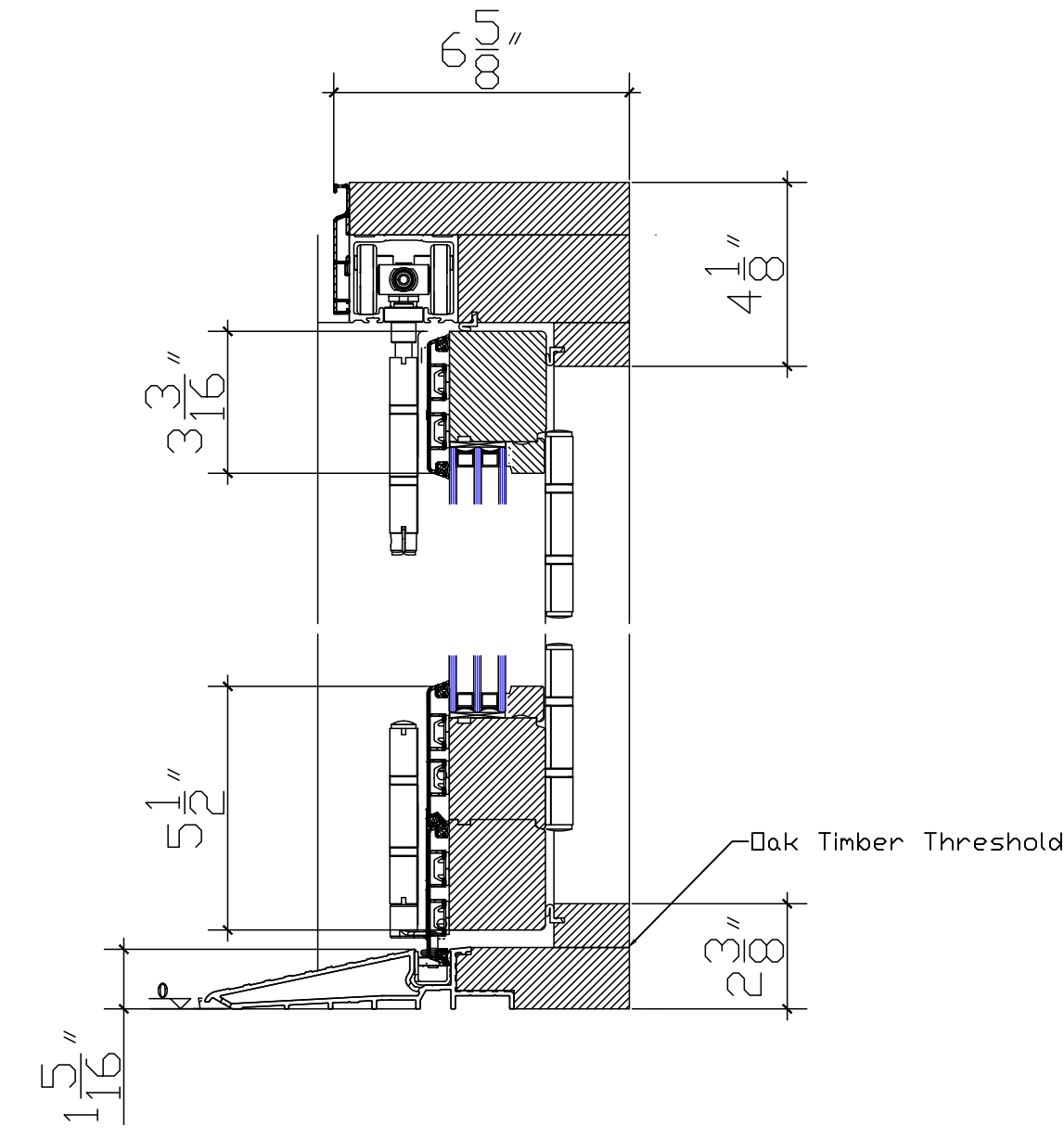
## ELEVATIONS



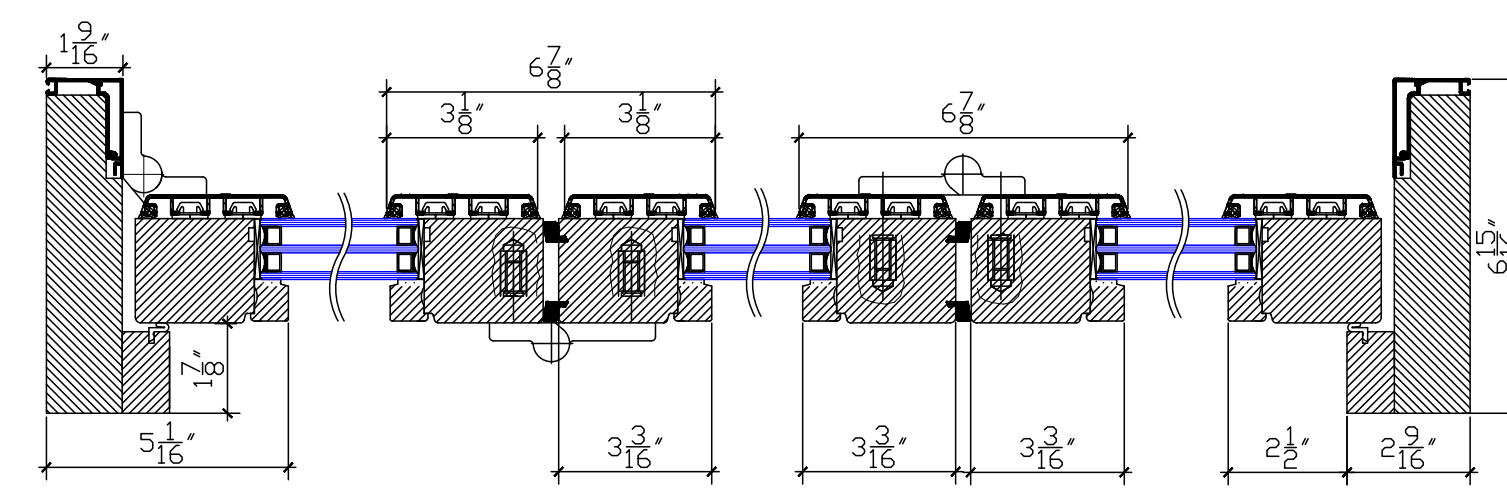
(A) ELEVATIONS - BREEZE PANEL DOORS  
1/4" = 1'-0"

\*Requires Zola Windows Technician Visit for optimal installation. Refer to Breeze Panel Installation Guide. Breeze panel units require ongoing adjustments for the lifetime of the unit. Zola Windows Technicians provide initial training and are available for paid tech visits for ongoing adjustments.

## DETAILS



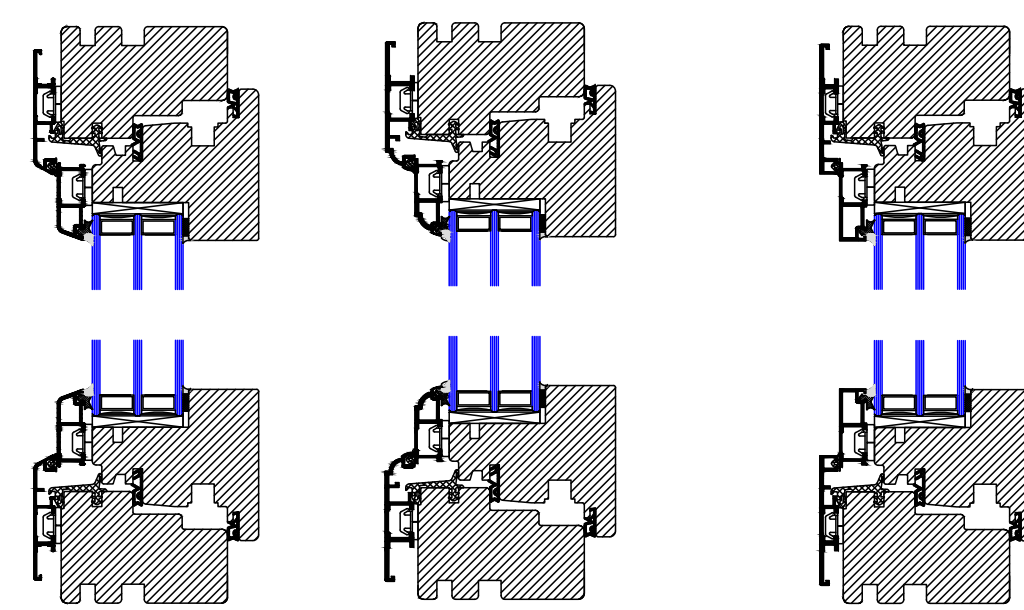
OUTSWING - SECTION VIEW



OUTSWING - PLAN VIEW

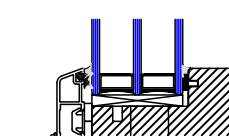
① STANDARD OUTSWING BREEZEPANEL DETAILS  
3" = 1'-0"

## OPTIONS



Classic Heritage Quadrat

② CLADDING STYLE OPTIONS - SHOWN ON WINDOW DETAIL  
3" = 1'-0"



③ INTERIOR SILL MILLING AVAILABLE ONLY IN SQUARED  
3" = 1'-0"

NOTE: DETAILS PROVIDED FOR EXPLANATION ONLY. ARCHITECT AND ENGINEER OF RECORD TO DEVELOP PROJECT SPECIFIC DETAILS. ZOLA RESERVES RIGHTS TO MAKE TECHNICAL CHANGES AND UPDATES WHICH MAY NOT BE REFLECTED IN DRAWINGS

No.	Description	Date

## THERMO CLAD DOOR DETAILS BREEZE PANELS

Project number	
Date	MAY 2024
Drawn by	
Checked by	
<b>A104</b>	
Scale	AS INDICATED