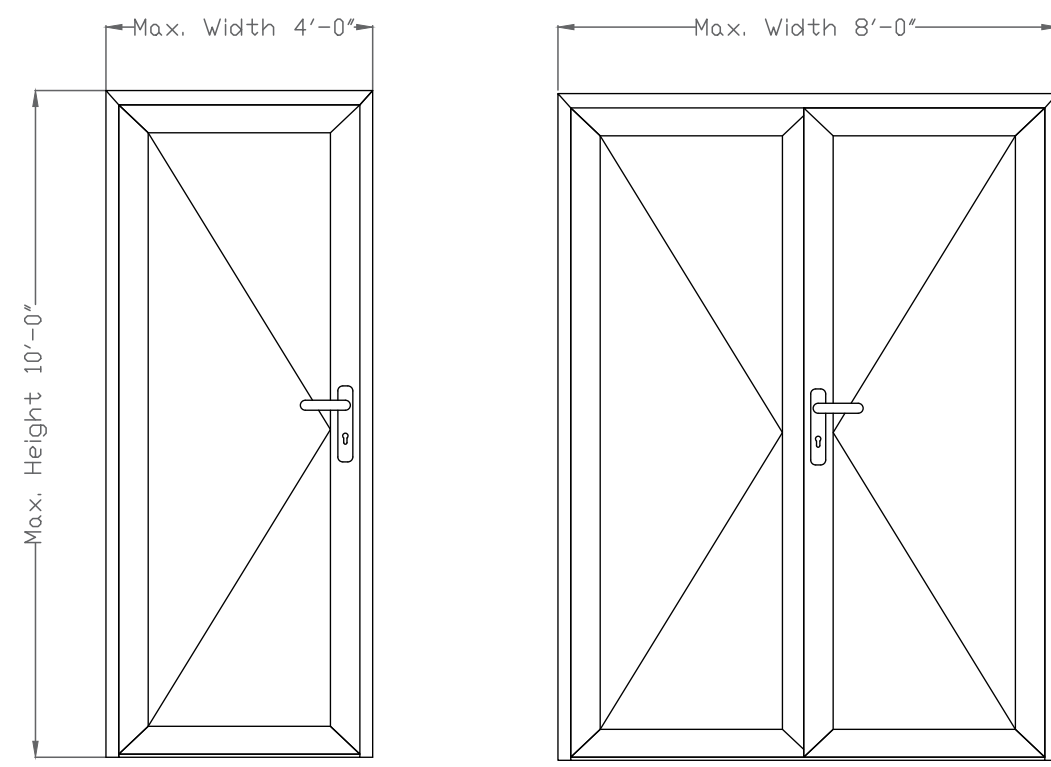


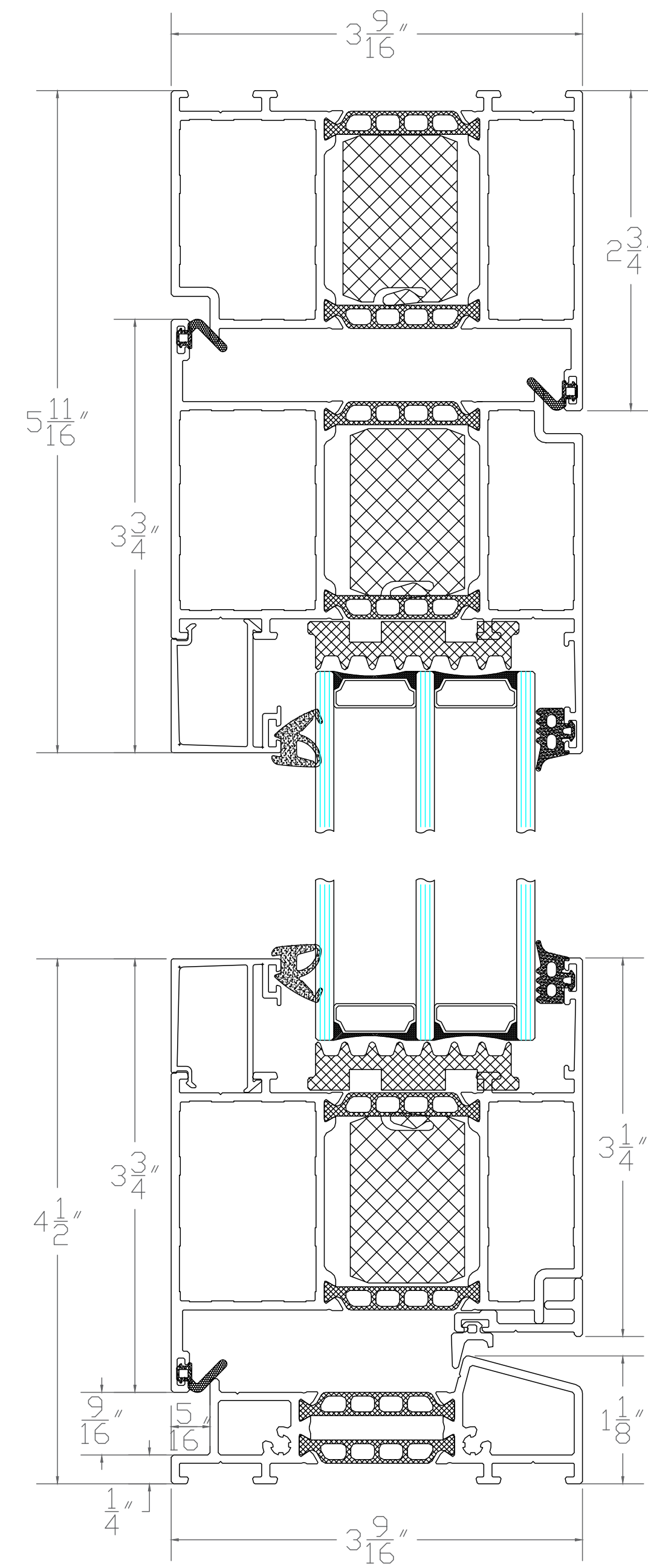
Swing Doors

ELEVATIONS

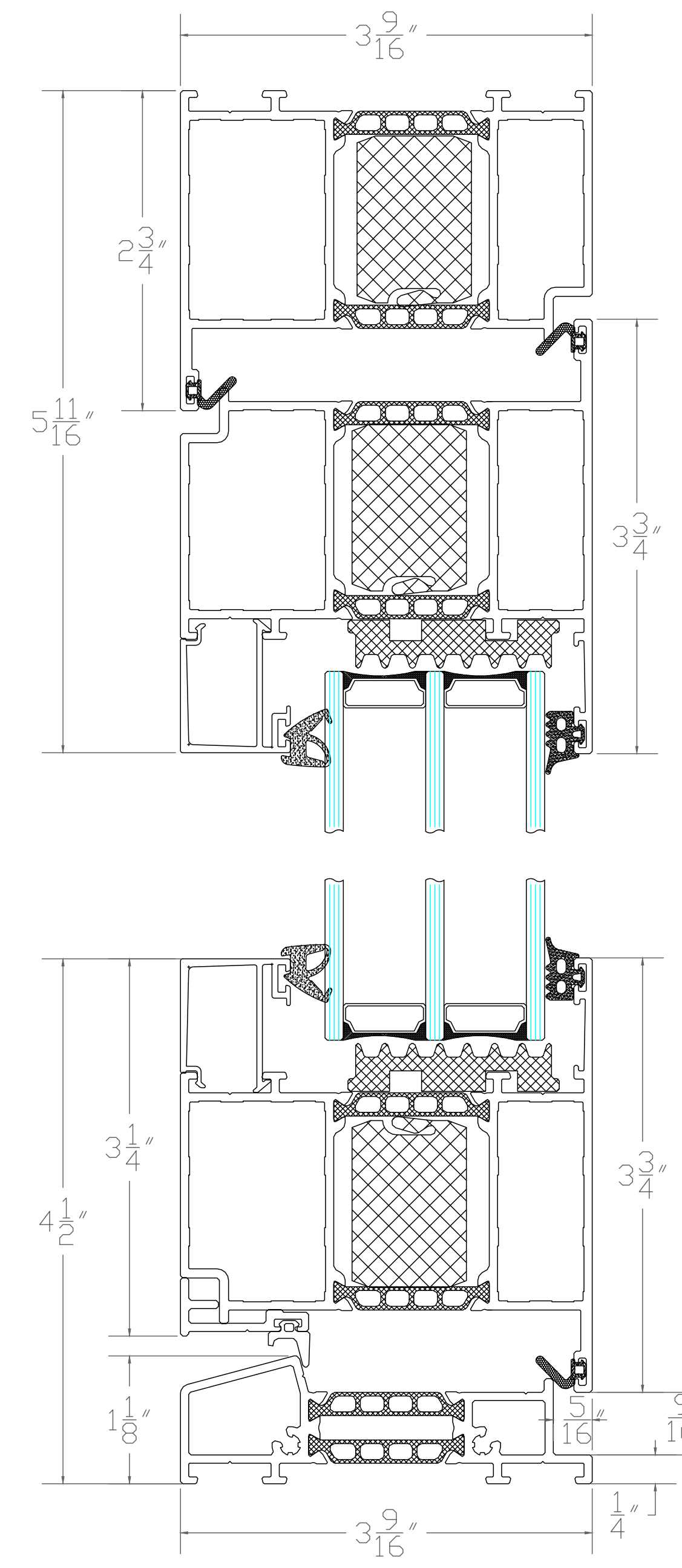


A ELEVATIONS - ENTRY DOORS
1/2" = 1'-0"

DETAILS



① STANDARD INSWING DOOR
1" = 1'-0"



② STANDARD OUTSWING DOOR
1" = 1'-0"

NOTE: DETAILS PROVIDED FOR EXPLANATION ONLY.
ARCHITECT AND ENGINEER OF RECORD TO
DEVELOP PROJECT SPECIFIC DETAILS.
ZOLA RESERVES RIGHTS TO MAKE TECHNICAL
CHANGES AND UPDATES WHICH MAY NOT BE
REFLECTED IN DRAWINGS

No.	Description	Date

THERMO ALU90 DOOR DETAILS

SWING DOORS

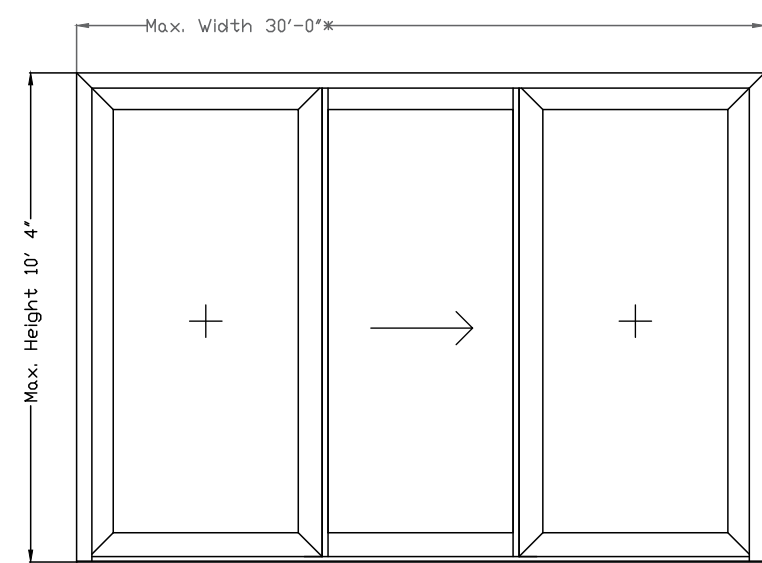
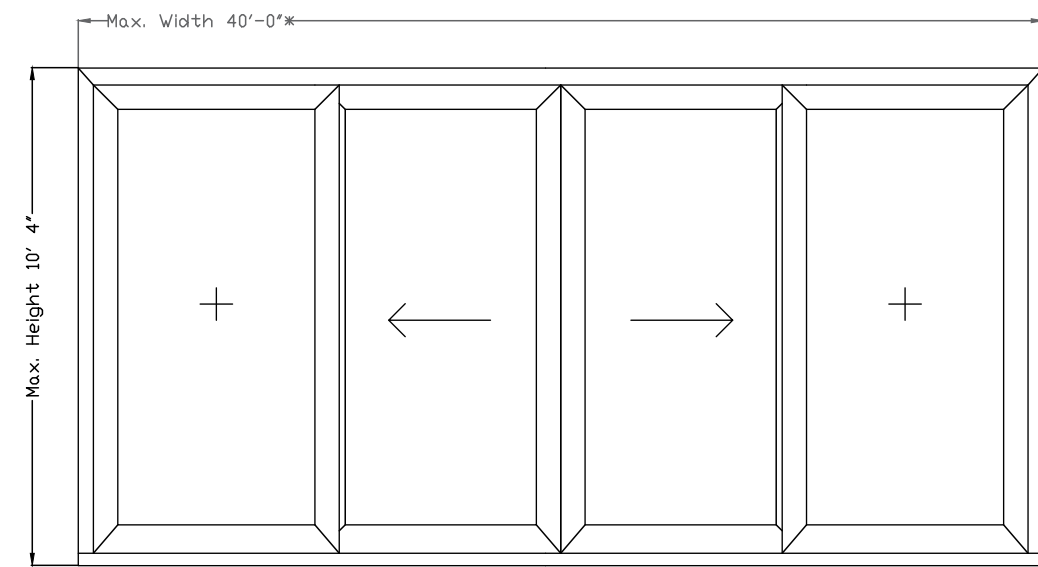
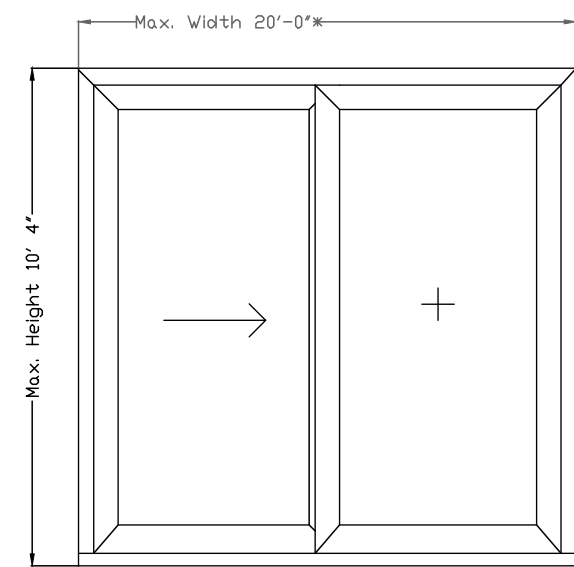
Project number
Date 1/30/2024
Drawn by
Checked by

A101

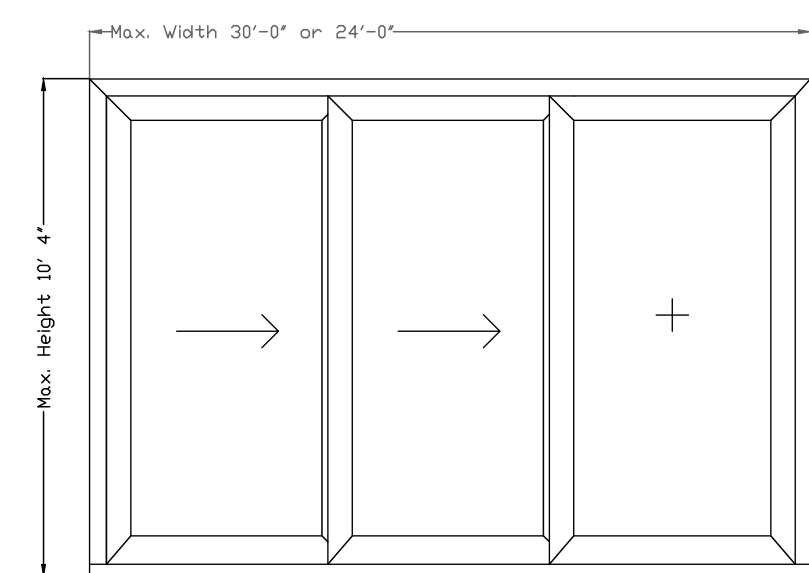
Scale As indicated

Lift Slide Doors

ELEVATIONS



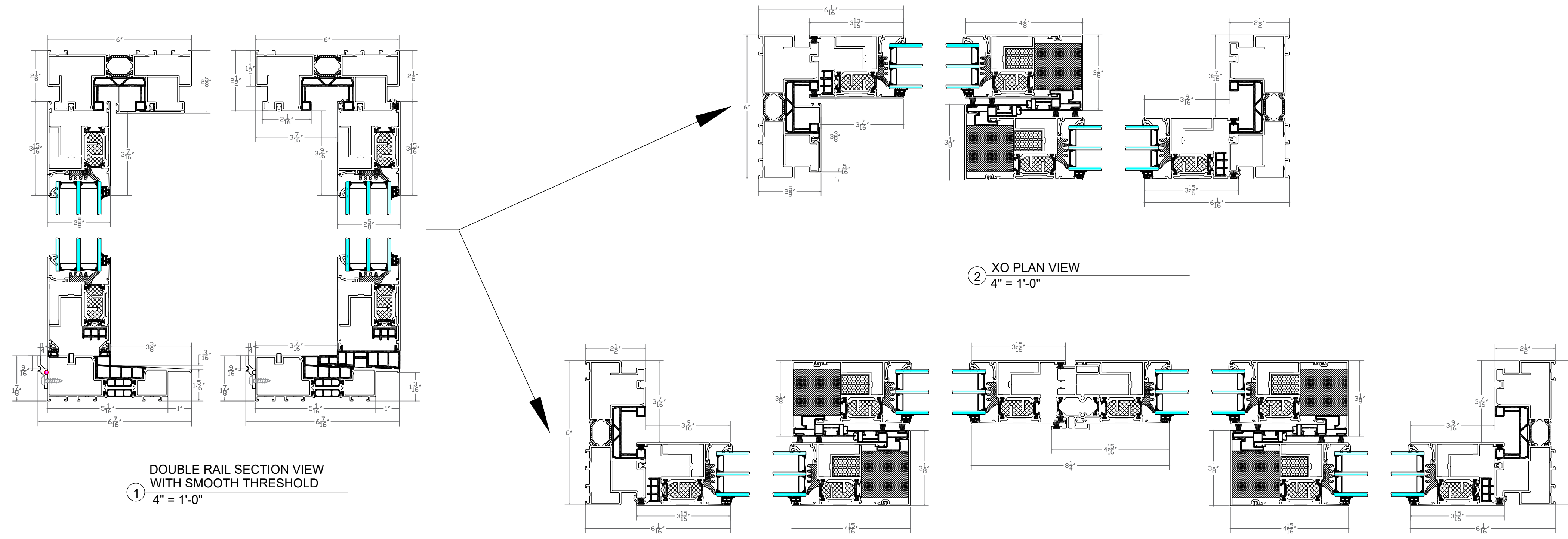
A ELEVATIONS - 2 RAIL LIFT SLIDES
3/8" = 1'-0"



*Note: each panel can be a maximum of 10'x8' either orientation

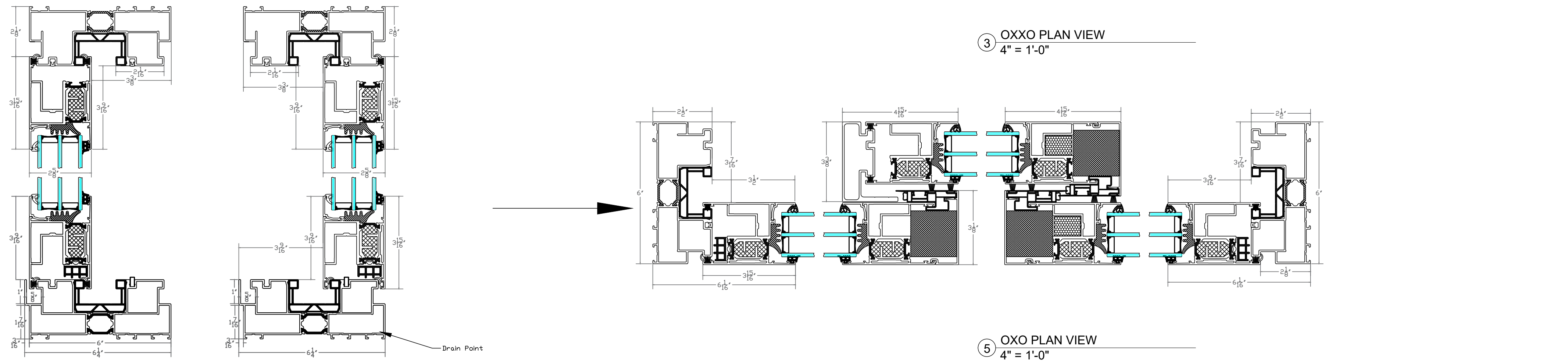
B ELEVATIONS - 3 RAIL LIFT SLIDES
3/8" = 1'-0"

DETAILS



1 DOUBLE RAIL SECTION VIEW WITH SMOOTH THRESHOLD
4" = 1'-0"

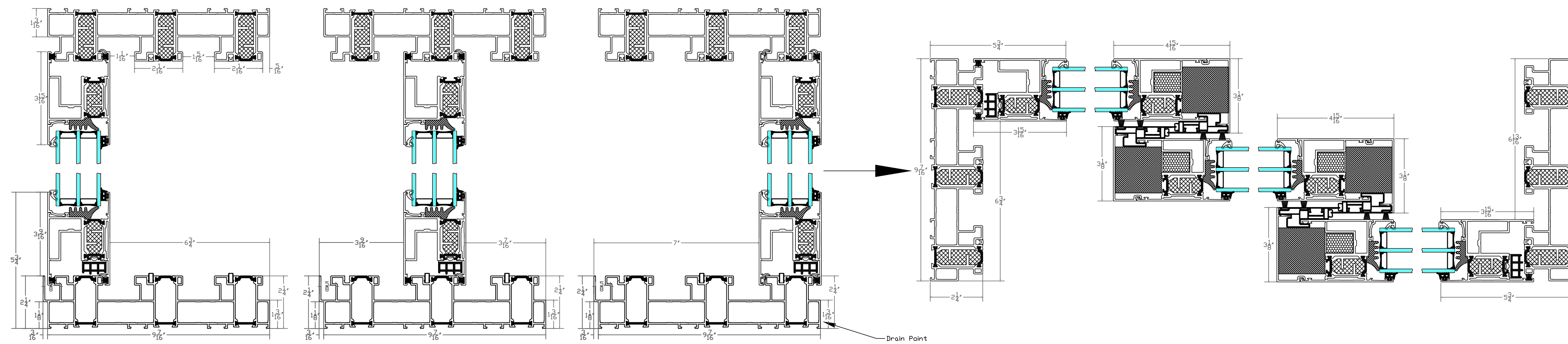
2 XO PLAN VIEW
4" = 1'-0"



4 DOUBLE RAIL SECTION VIEW WITH STANDARD THRESHOLD
4" = 1'-0"

3 OXXO PLAN VIEW
4" = 1'-0"

5 OXO PLAN VIEW
4" = 1'-0"



6 TRIPLE RAIL SECTION VIEW AVAILABLE ONLY WITH STANDARD THRESHOLD
4" = 1'-0"

7 XXO PLAN VIEW
4" = 1'-0"

NOTE: DETAILS PROVIDED FOR EXPLANATION ONLY. ARCHITECT AND ENGINEER OF RECORD TO DEVELOP PROJECT SPECIFIC DETAILS. ZOLA RESERVES RIGHTS TO MAKE TECHNICAL CHANGES AND UPDATES WHICH MAY NOT BE REFLECTED IN DRAWINGS

No.	Description	Date

THERMO ALU
DOOR DETAILS
LIFT SLIDE
DOORS

Project number
Date 1/30/2024
Drawn by
Checked by

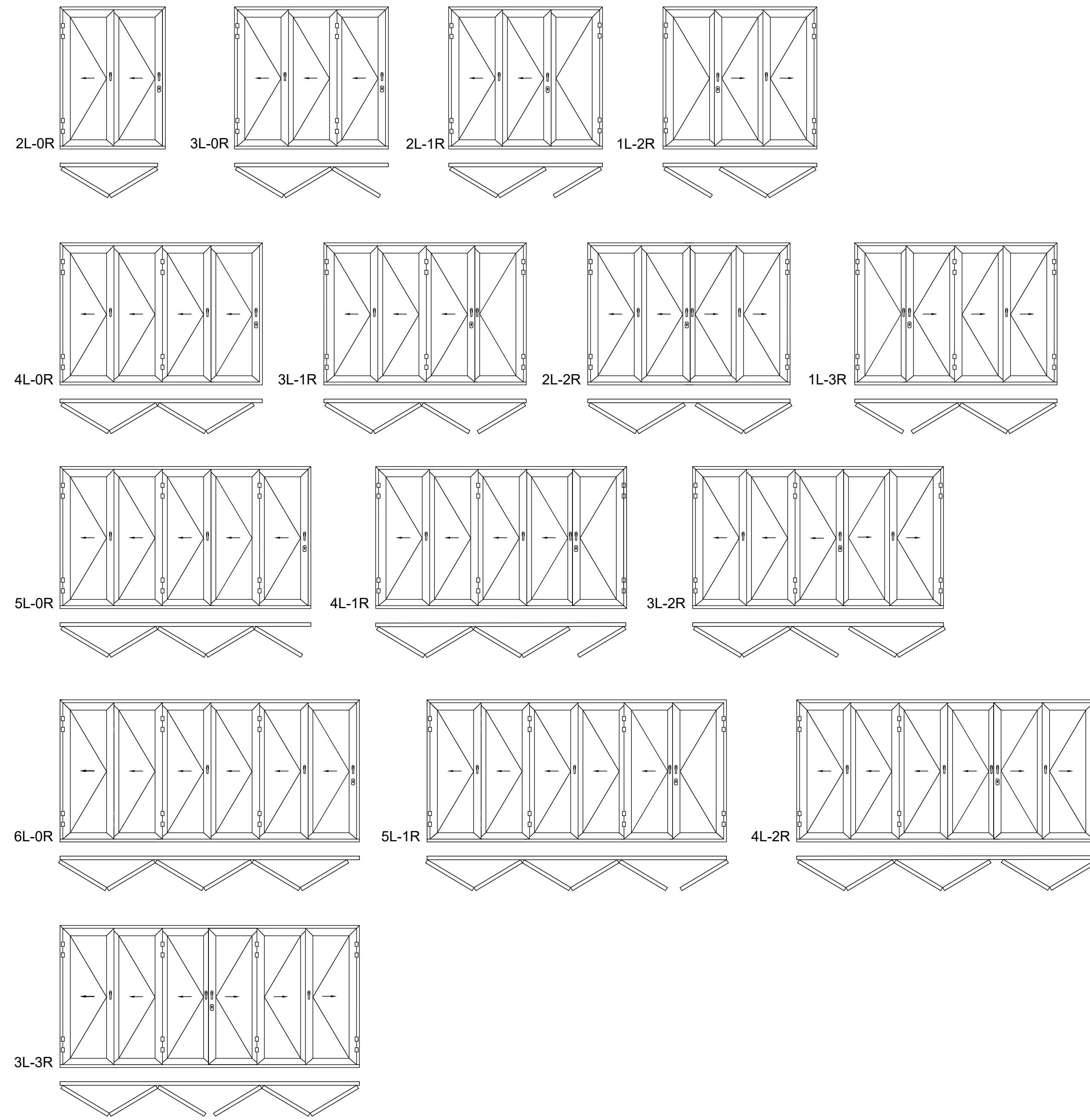
A102

Scale As indicated

Customized installation details by project architect or waterproofing consultant are required for a successful installation.

Breeze Panel Doors

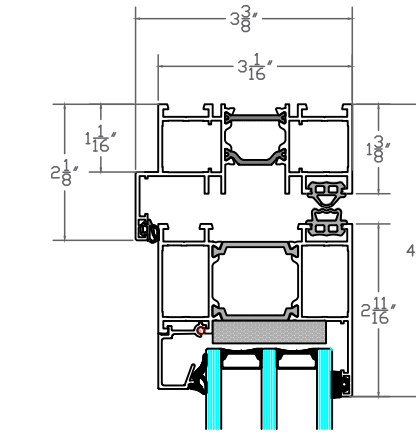
ELEVATIONS



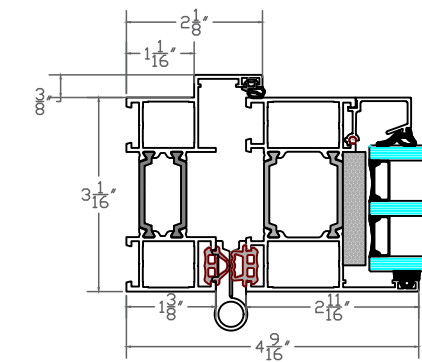
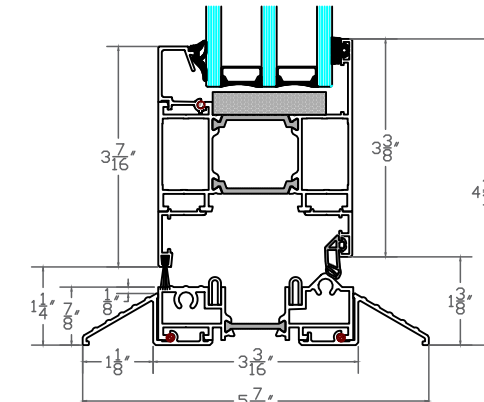
ELEVATIONS - BREEZE PANEL CONFIGURATIONS
 *SHOWN AS OUTSWING; INSWING AVAILABLE AS WELL IN ALL CONFIGURATIONS
 1/4" = 1'-0"

*Requires Zola Windows Technician Visit for optimal installation. Refer to Breeze Panel Installation Guide. Breeze panel units require ongoing adjustments for the lifetime of the unit. Zola Windows Technicians provide initial training and are available for paid tech visits for ongoing adjustments.

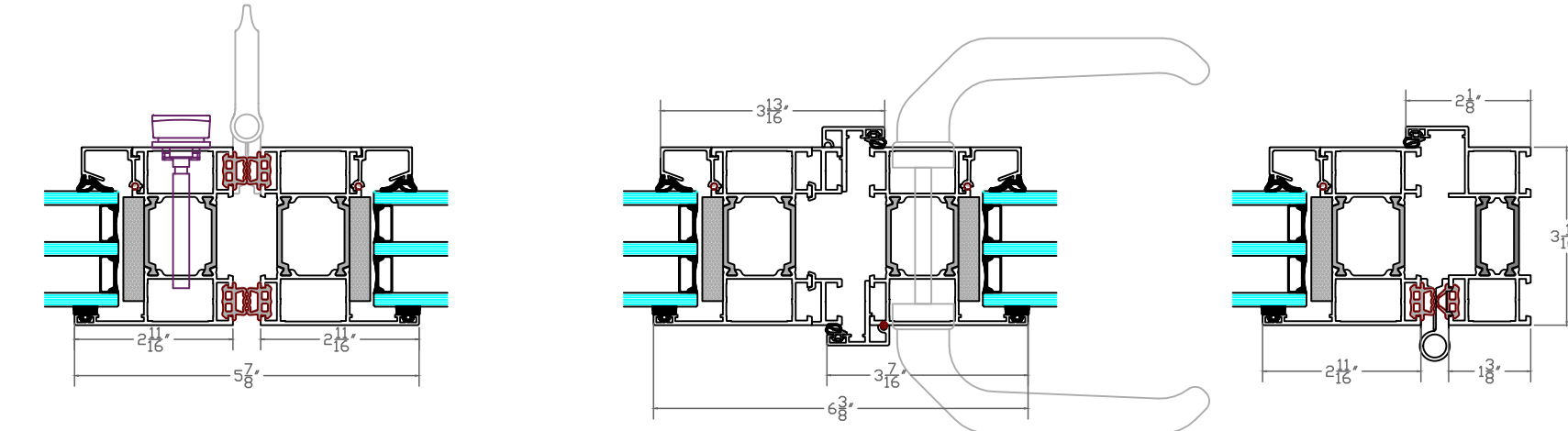
DETAILS



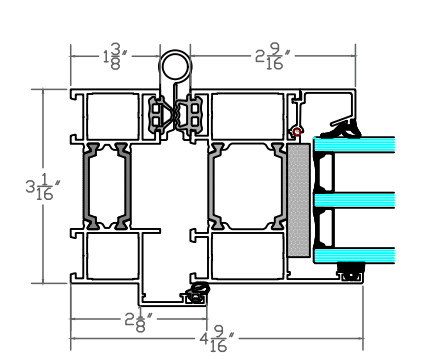
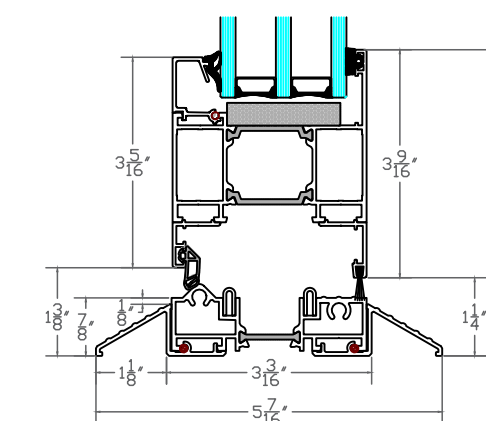
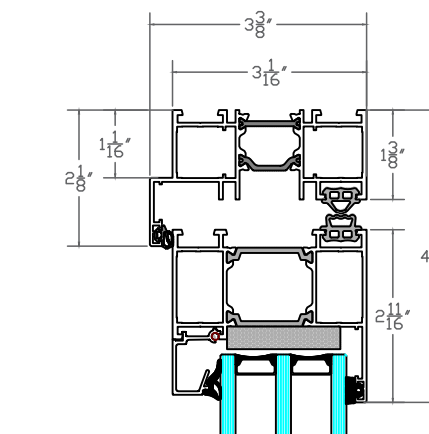
1 OUTSWING SECTION VIEW (2L-1R)
 4" = 1'-0"



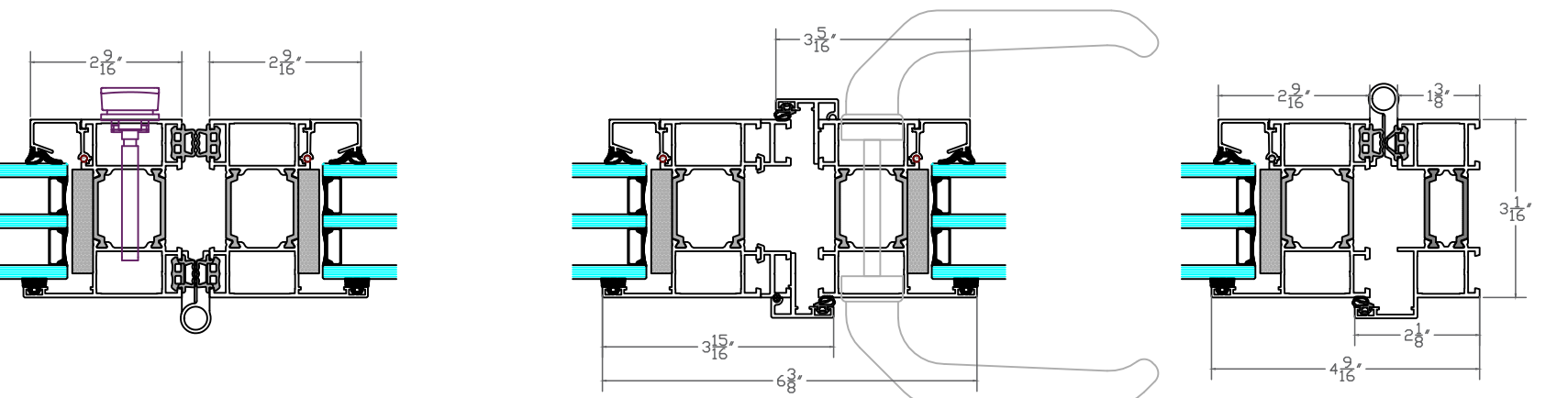
2 OUTSWING PLAN VIEW (2L-1R)
 4" = 1'-0"



3 INSWING SECTION VIEW (2L-1R)
 4" = 1'-0"



4 INSWING PLAN VIEW (2L-1R)
 4" = 1'-0"



NOTE: DETAILS PROVIDED FOR EXPLANATION ONLY. ARCHITECT AND ENGINEER OF RECORD TO DEVELOP PROJECT SPECIFIC DETAILS. ZOLA RESERVES RIGHTS TO MAKE TECHNICAL CHANGES AND UPDATES WHICH MAY NOT BE REFLECTED IN DRAWINGS

No.	Description	Date

THERMO ALU DOOR DETAILS BREEZE PANEL DOORS

Project number	
Date	1/30/2024
Drawn by	
Checked by	
A103	
Scale	As indicated