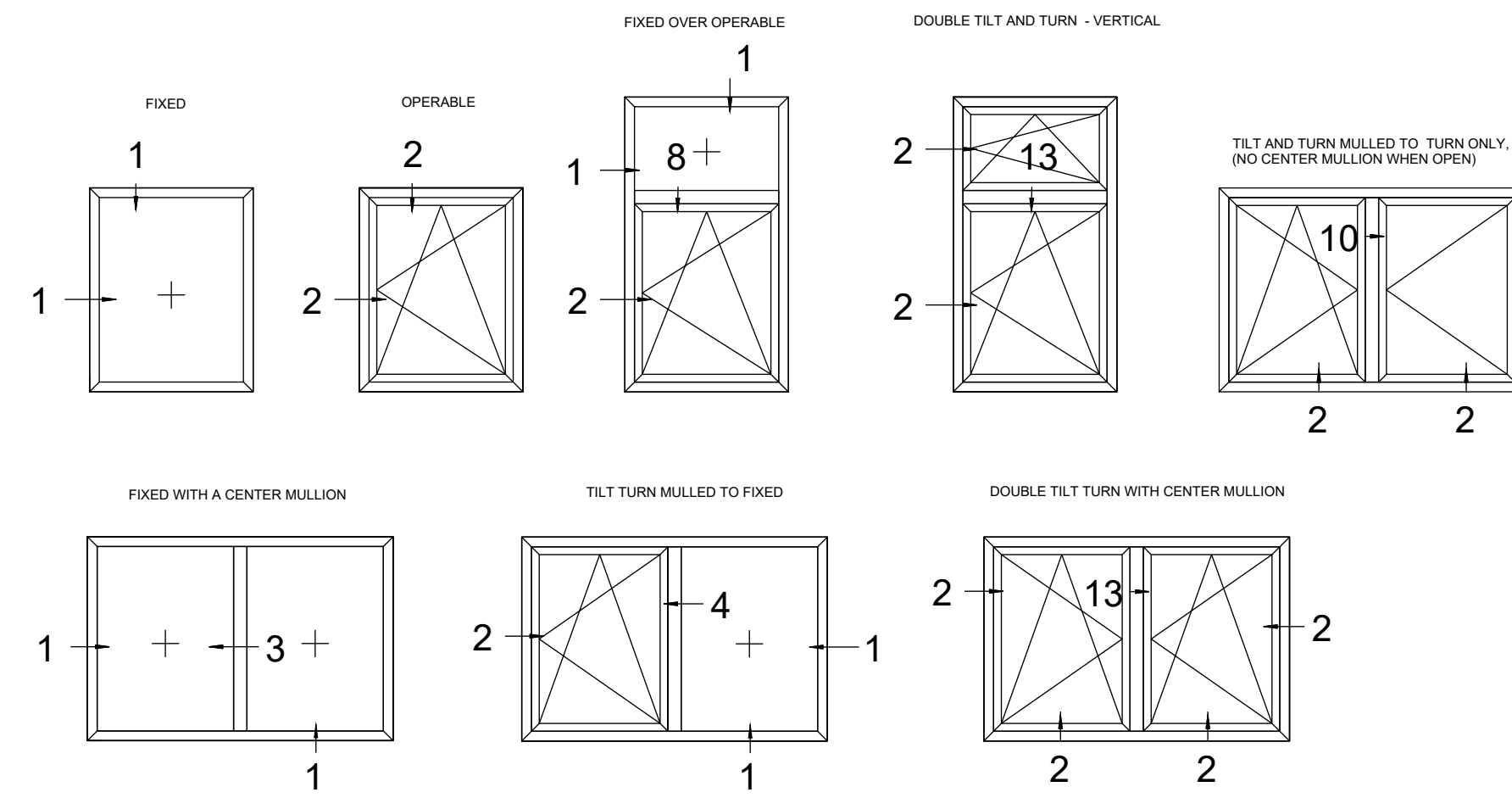
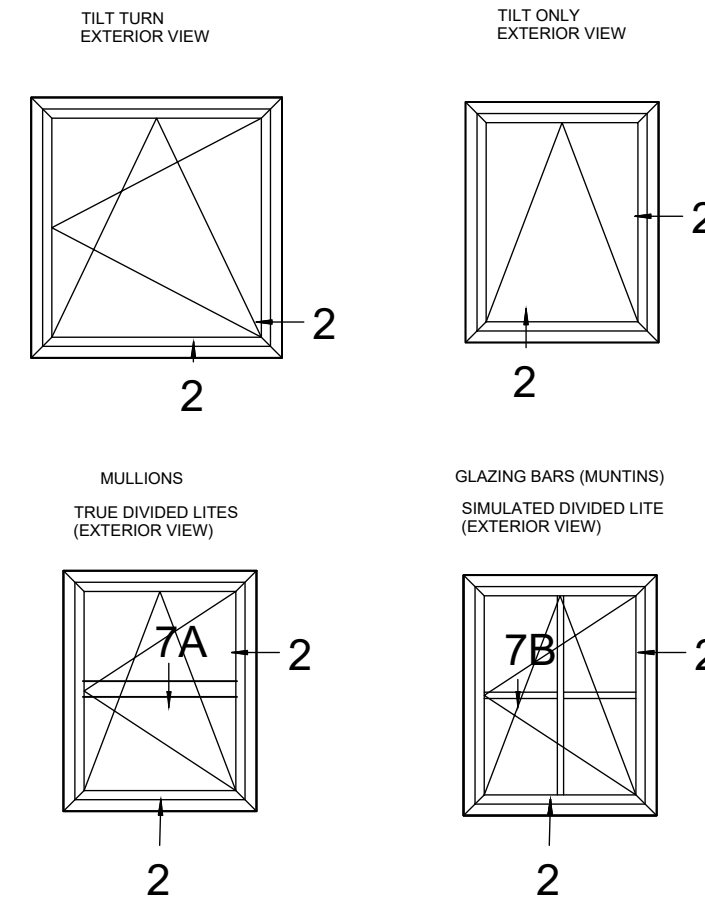


ELEVATIONS

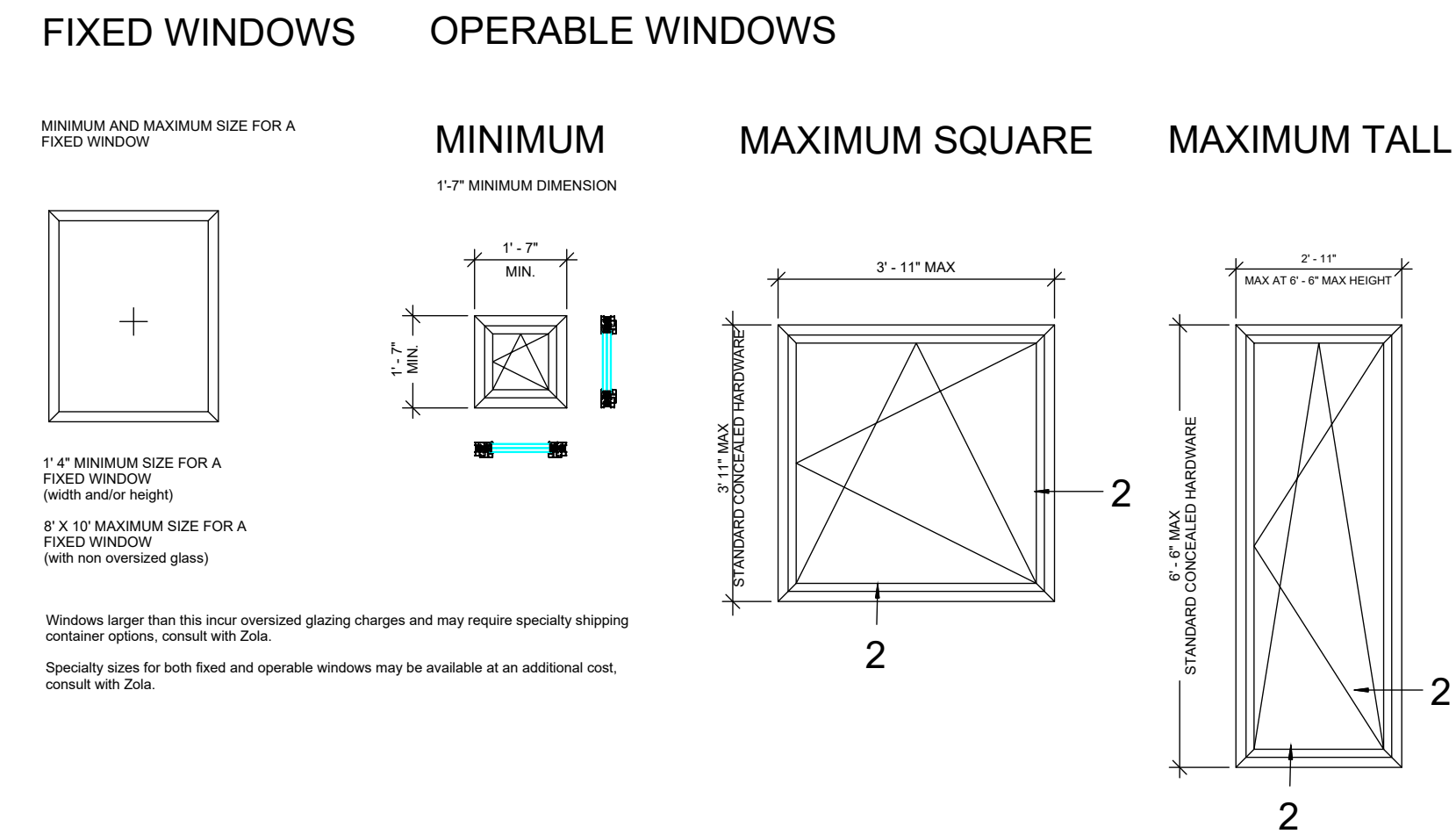
COMMON CONFIGURATIONS:



SWING AND DIVIDER OPTIONS:

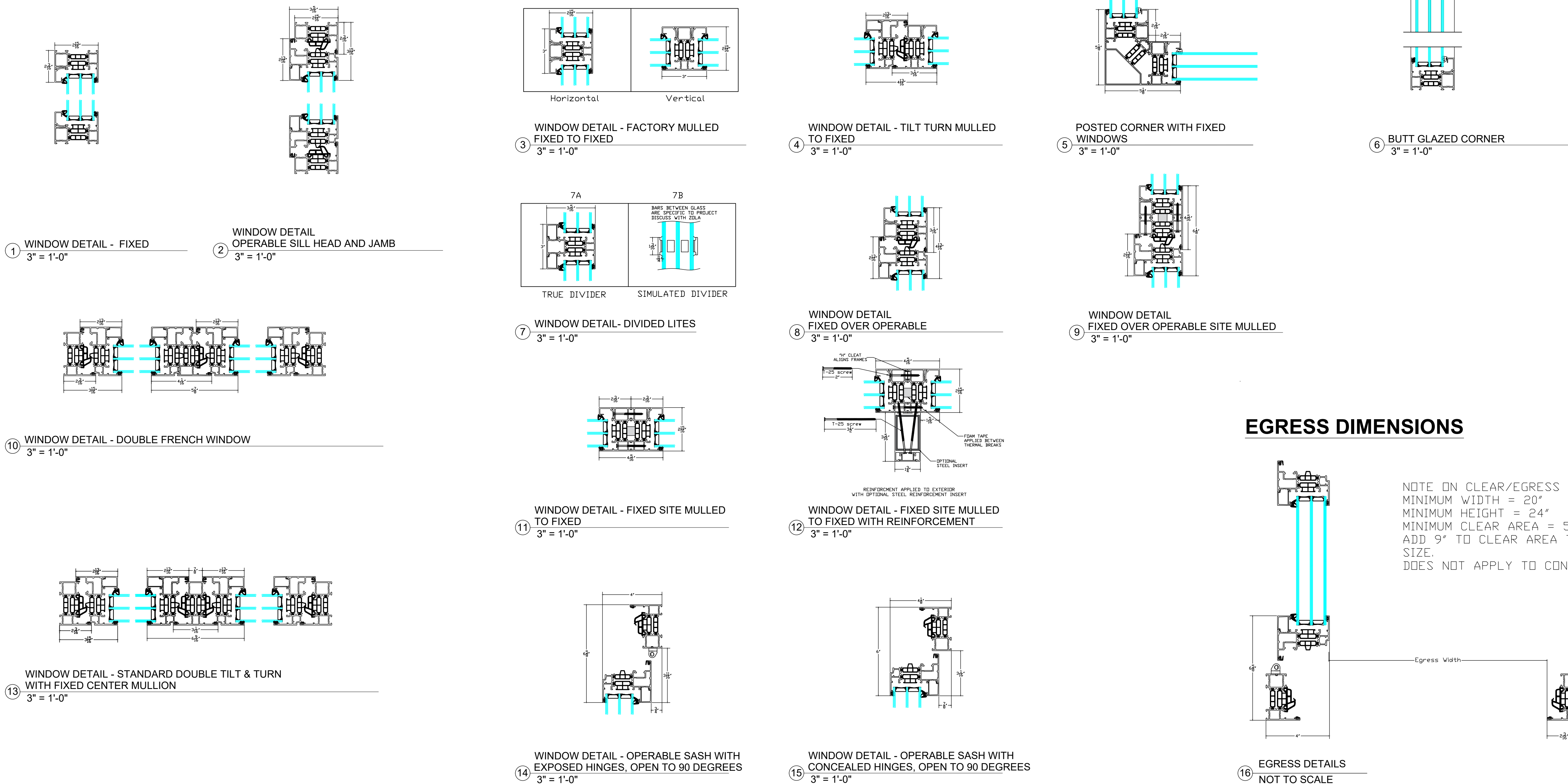


SIZING:

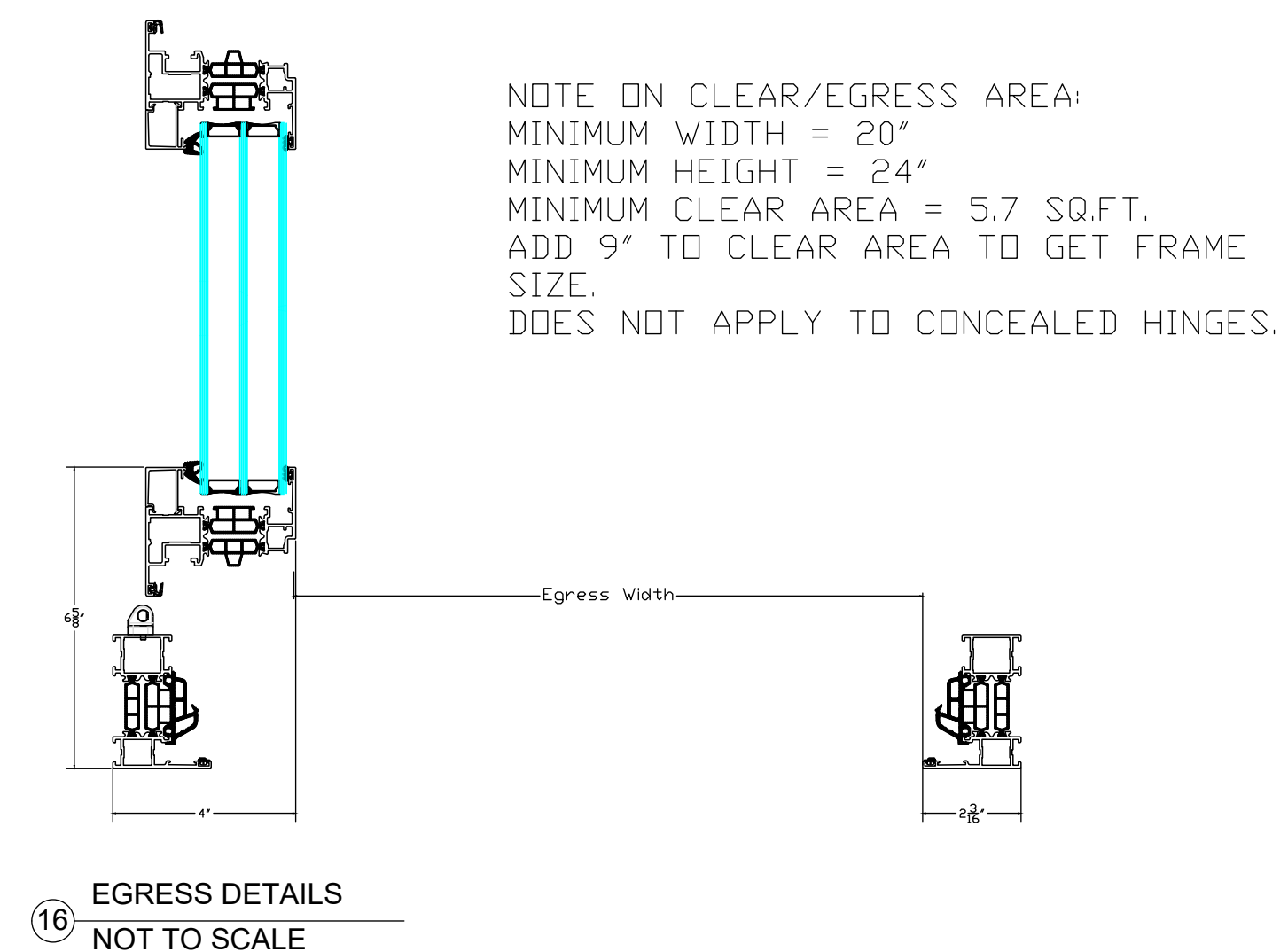


A ELEVATIONS - ZOLA THERMO ALU75 NOT TO SCALE

DETAILS



EGRESS DIMENSIONS



NOTE: DETAILS PROVIDED FOR EXPLANATION ONLY. ARCHITECT AND ENGINEER OF RECORD TO DEVELOP PROJECT SPECIFIC DETAILS. ZOLA RESERVES RIGHTS TO MAKE TECHNICAL CHANGES AND UPDATES WHICH MAY NOT BE REFLECTED IN DRAWINGS

No.	Description	Date

THERMO ALU75 WINDOW DETAILS
FIXED AND TILT & TURN

Project number _____
 Date _____
 Drawn by _____
 Checked by _____

A101

Scale _____ As indicated