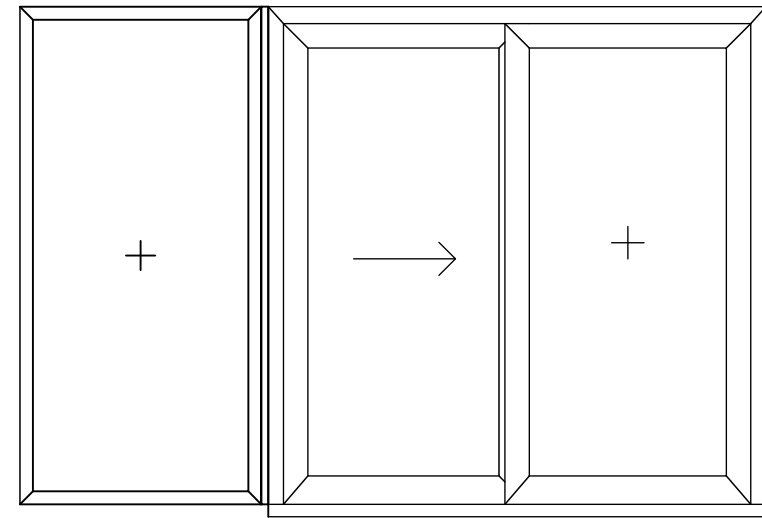


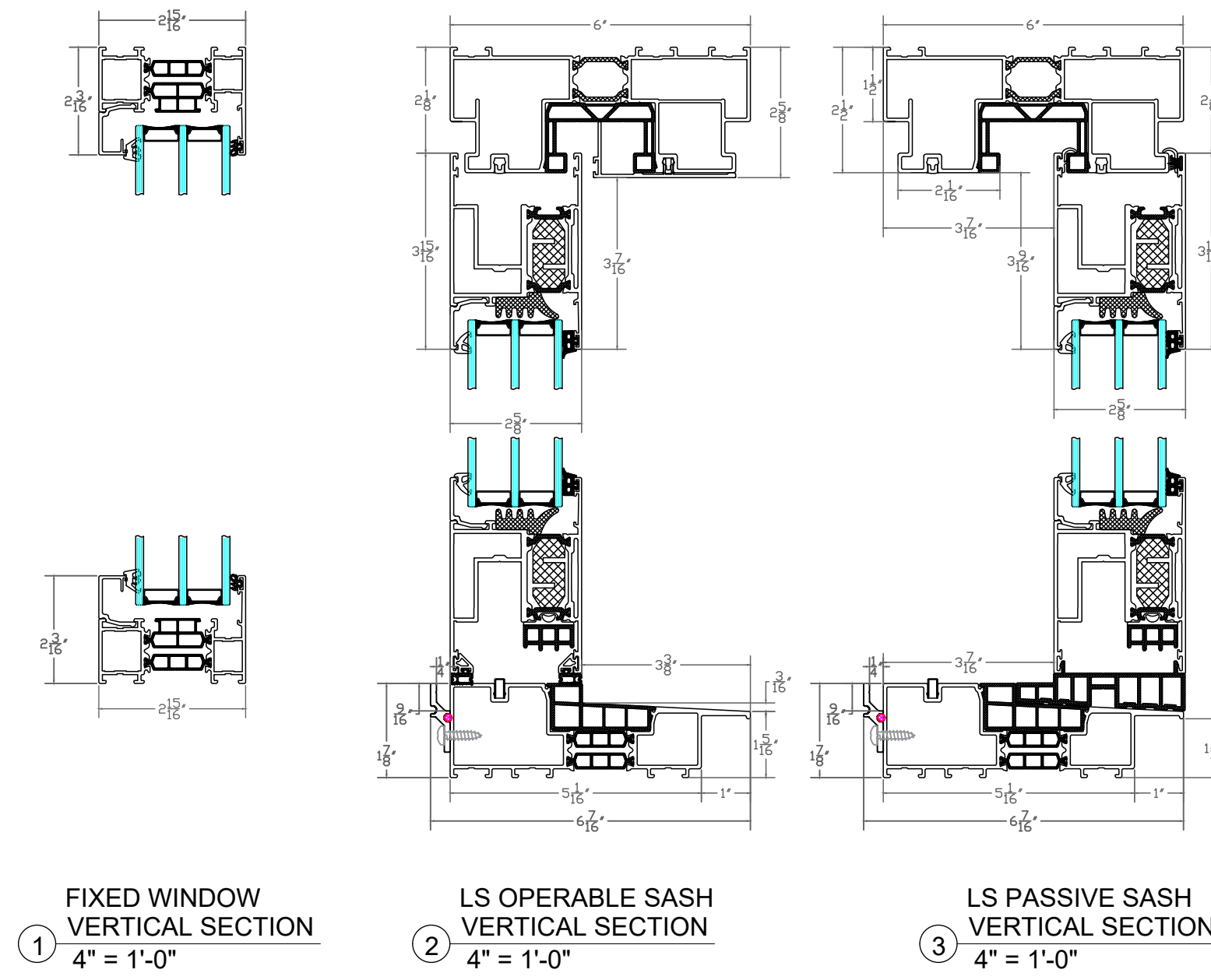
Lift Slide Door Mulled to Fixed Window

DETAILS

ELEVATION



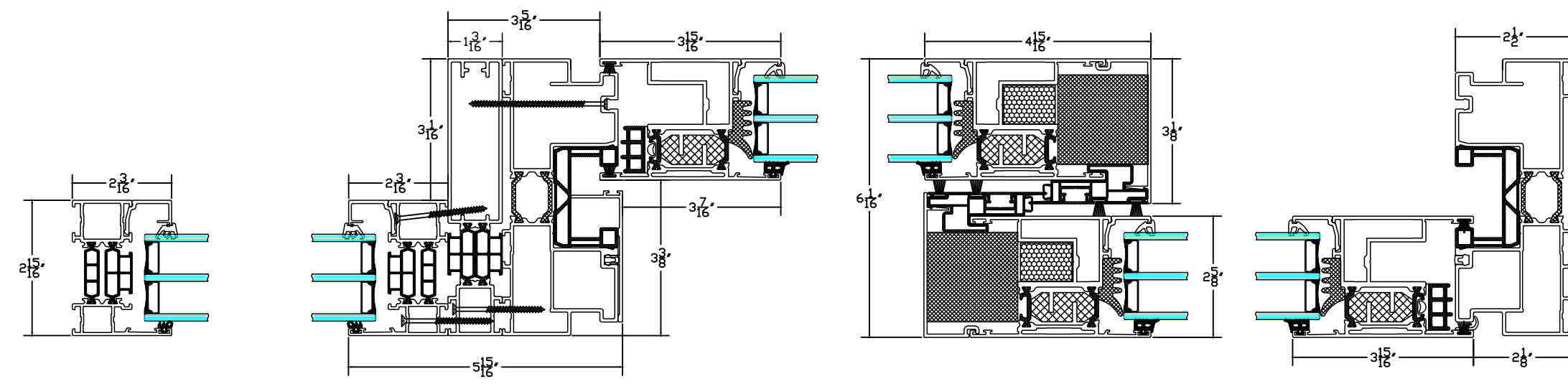
A ELEVATION - 2 RAIL LIFT SLIDES MULLED TO FIXED WINDOW
3/8" = 1'-0"



1 FIXED WINDOW
VERTICAL SECTION
4" = 1'-0"

2 LS OPERABLE SASH
VERTICAL SECTION
4" = 1'-0"

3 LS PASSIVE SASH
VERTICAL SECTION
4" = 1'-0"



4 FIXED/XO PLAN VIEW
4" = 1'-0"

NOTE: DETAILS PROVIDED FOR EXPLANATION ONLY.
ARCHITECT AND ENGINEER OF RECORD TO
DEVELOP PROJECT SPECIFIC DETAILS.
ZOLA RESERVES RIGHTS TO MAKE TECHNICAL
CHANGES AND UPDATES WHICH MAY NOT BE
REFLECTED IN DRAWINGS

No.	Description	Date

THERMO ALU DOOR DETAILS LIFT SLIDE DOORS

Project number	
Date	October 2024
Drawn by	
Checked by	
	A103
Scale	As indicated

