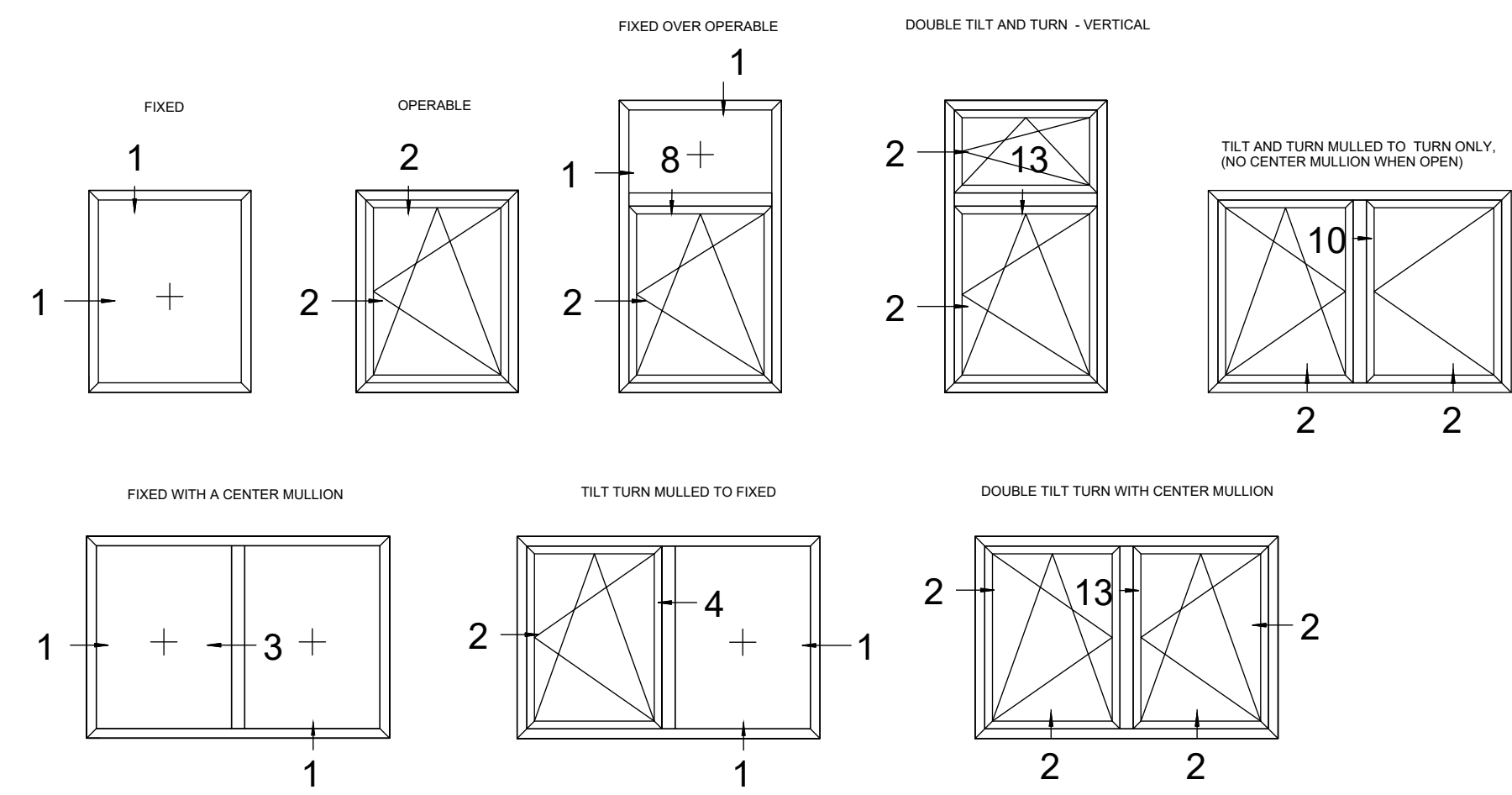
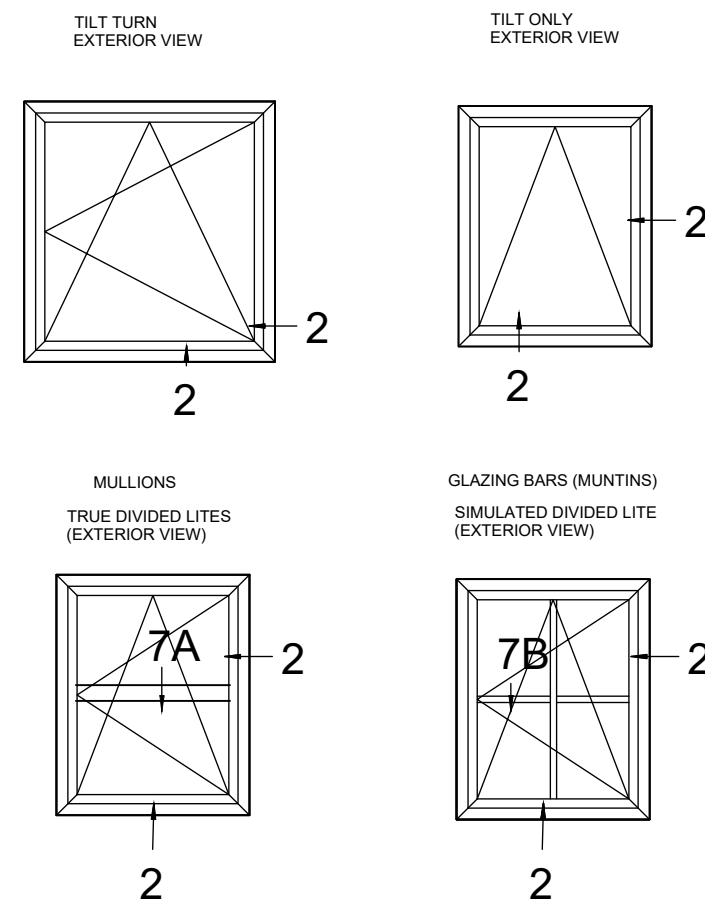


ELEVATIONS

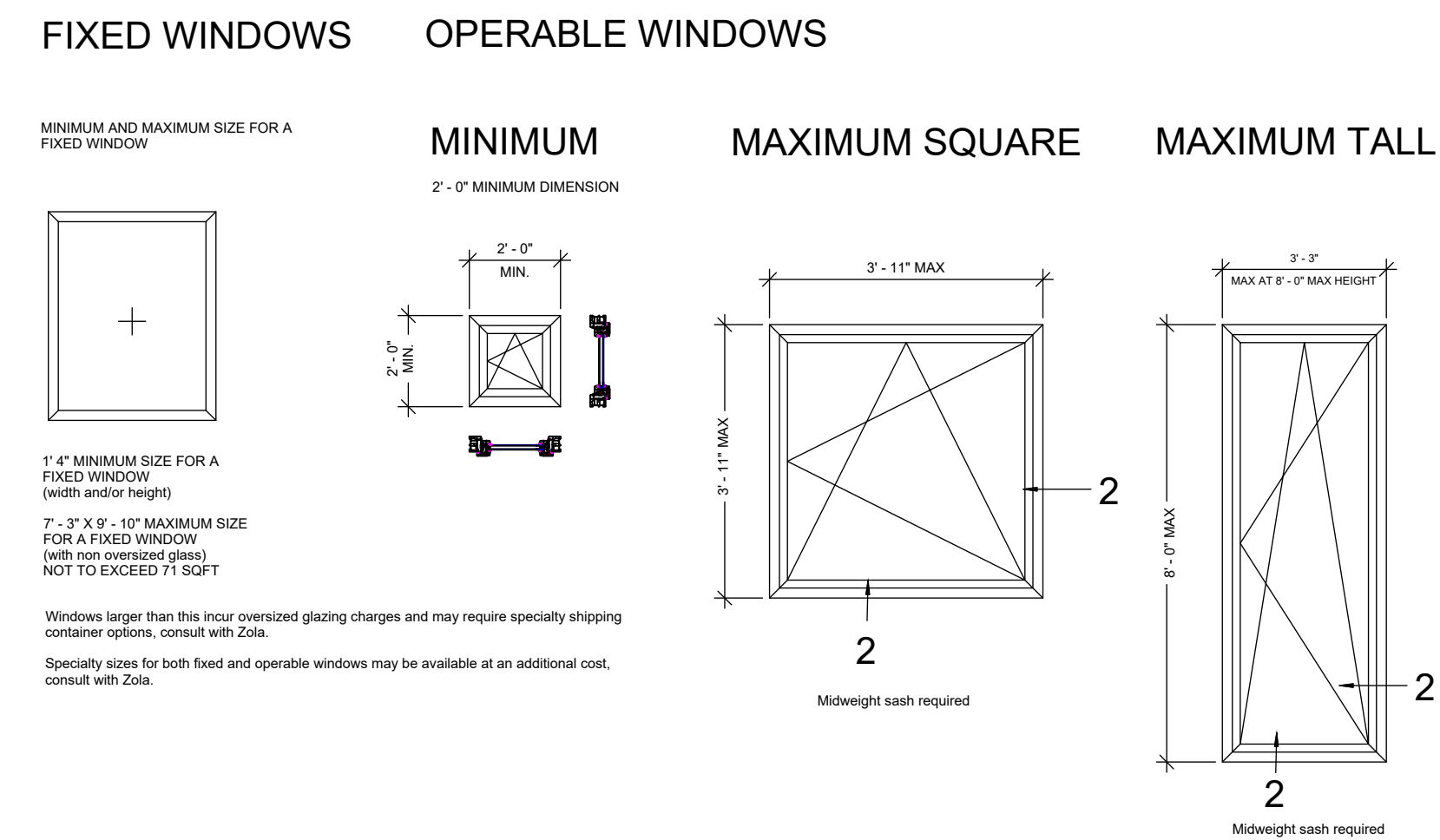
COMMON CONFIGURATIONS:



SWING AND DIVIDER OPTIONS:

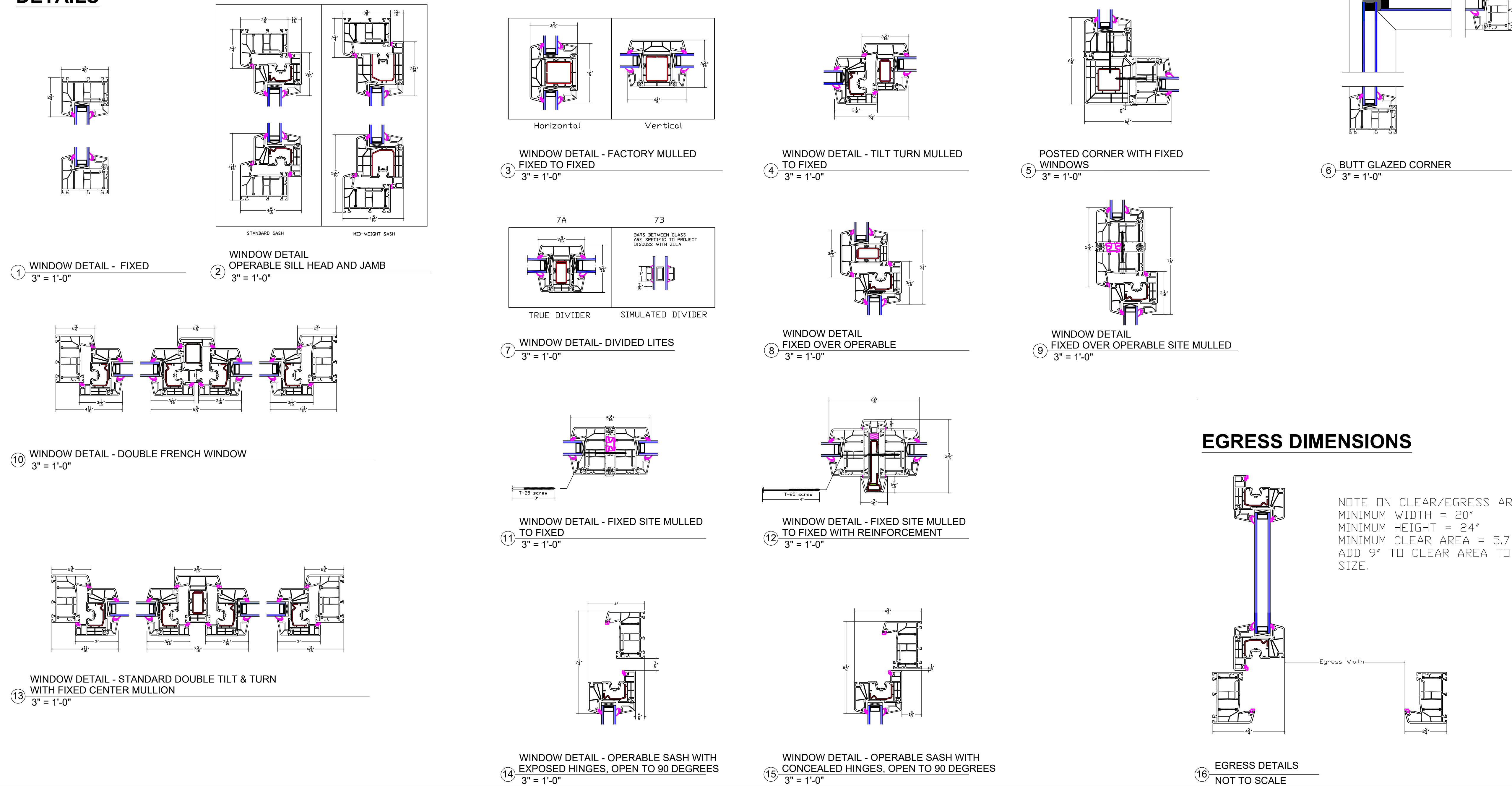


SIZING:



A ELEVATIONS - ZOLA CLASSIC UPVC
NOT TO SCALE

DETAILS



NOTE: DETAILS PROVIDED FOR EXPLANATION ONLY. ARCHITECT AND ENGINEER OF RECORD TO DEVELOP PROJECT SPECIFIC DETAILS. ZOLA RESERVES RIGHTS TO MAKE TECHNICAL CHANGES AND UPDATES WHICH MAY NOT BE REFLECTED IN DRAWINGS.

No.	Description	Date

**CLASSIC UPVC WINDOW DETAILS
FIXED AND TILT & TURN**

Project number
Date
Drawn by
Checked by

A101

Scale As indicated

Customized installation details by project architect or waterproofing consultant are required for a successful installation.