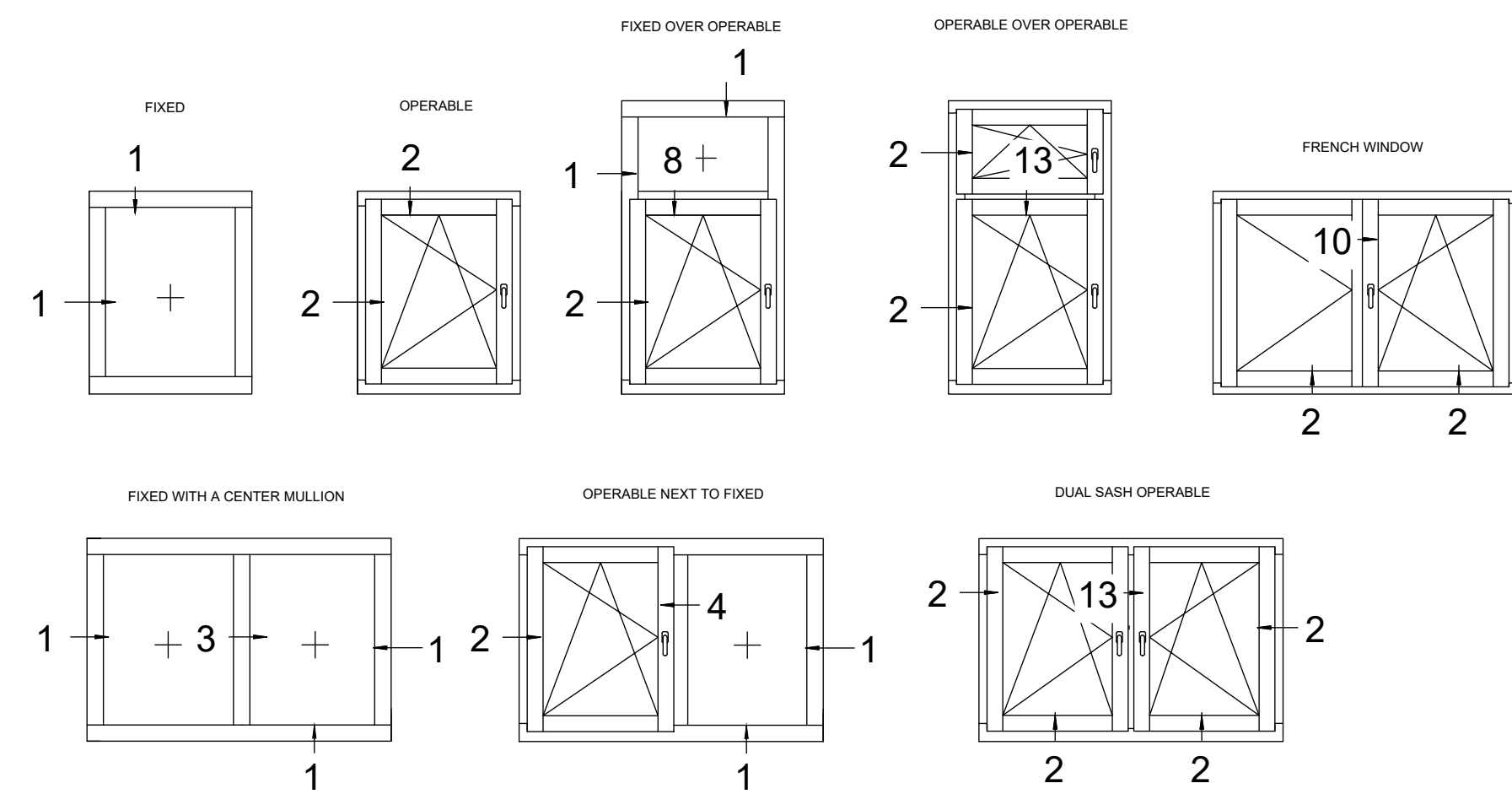
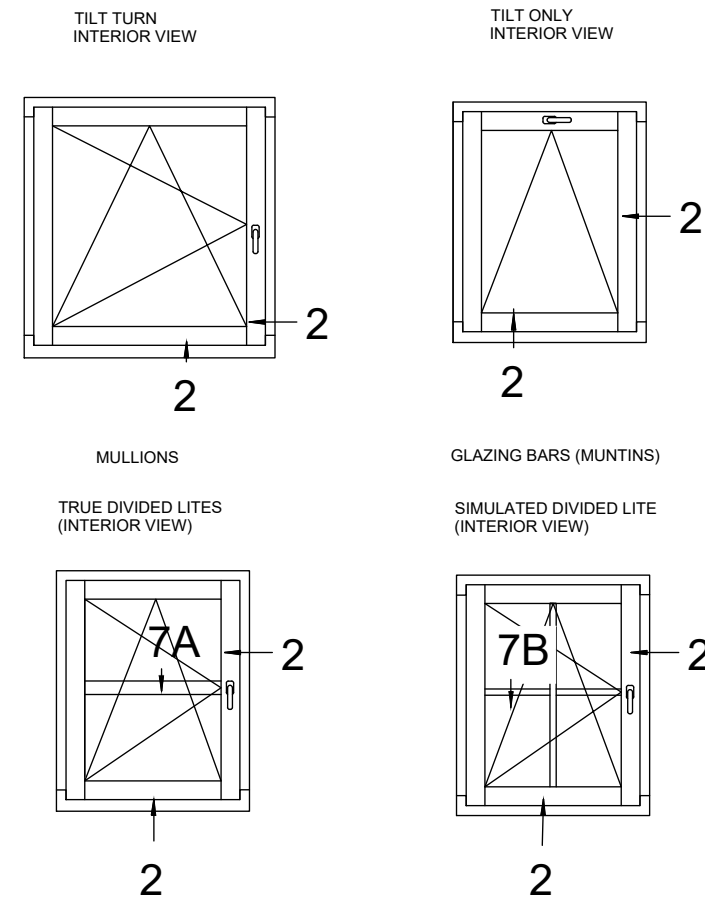


ELEVATIONS

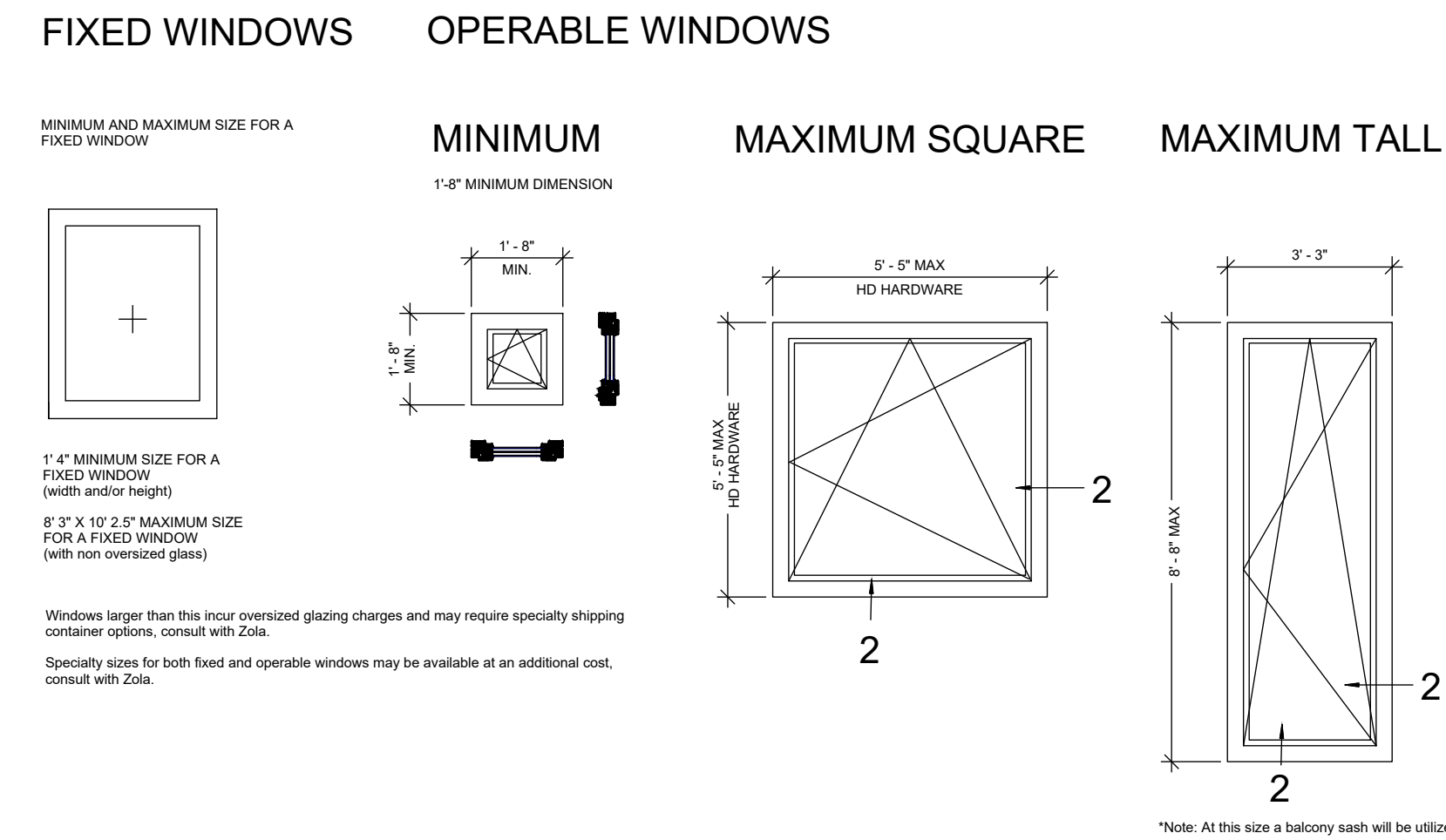
COMMON CONFIGURATIONS:



SWING AND DIVIDER OPTIONS:

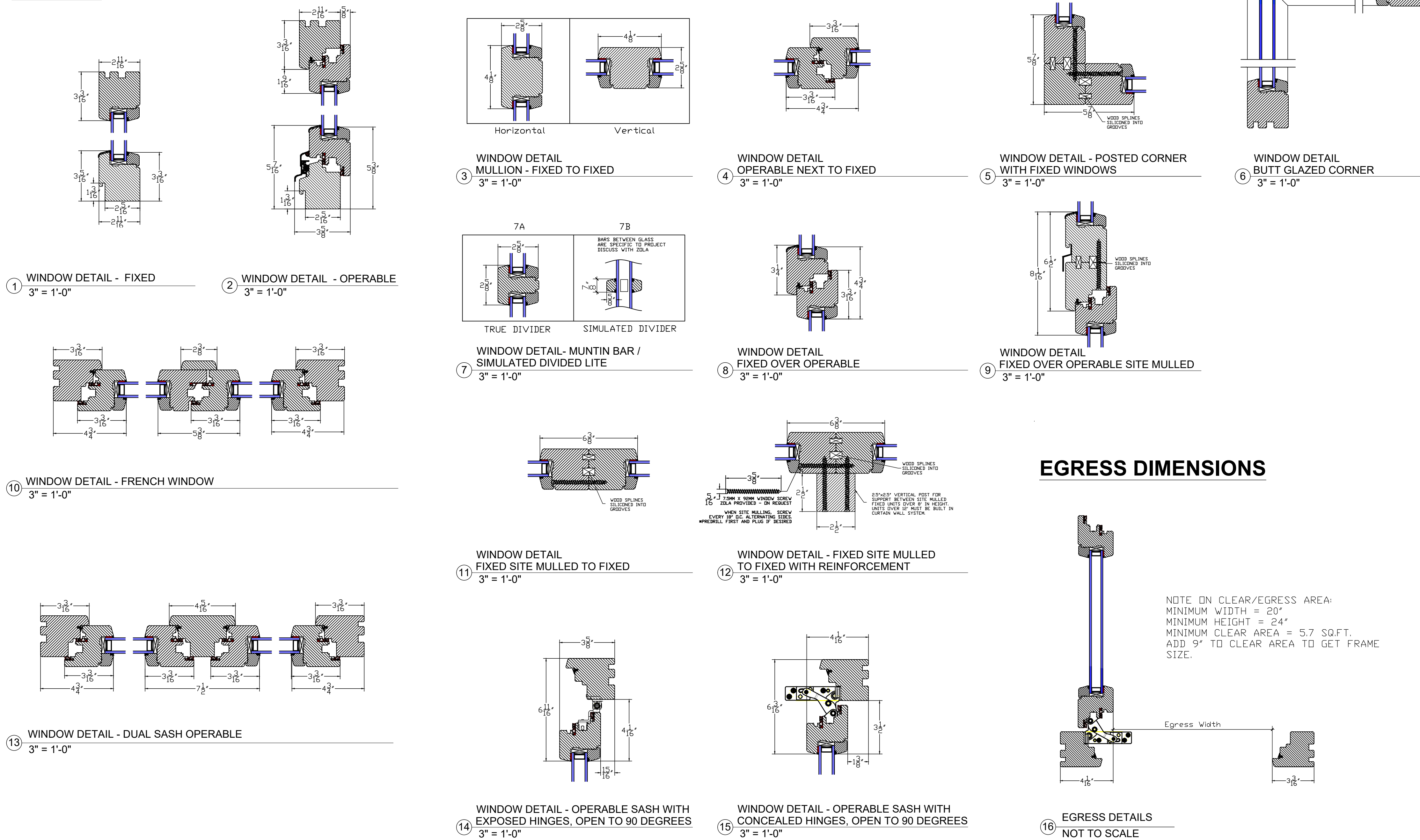


SIZING:

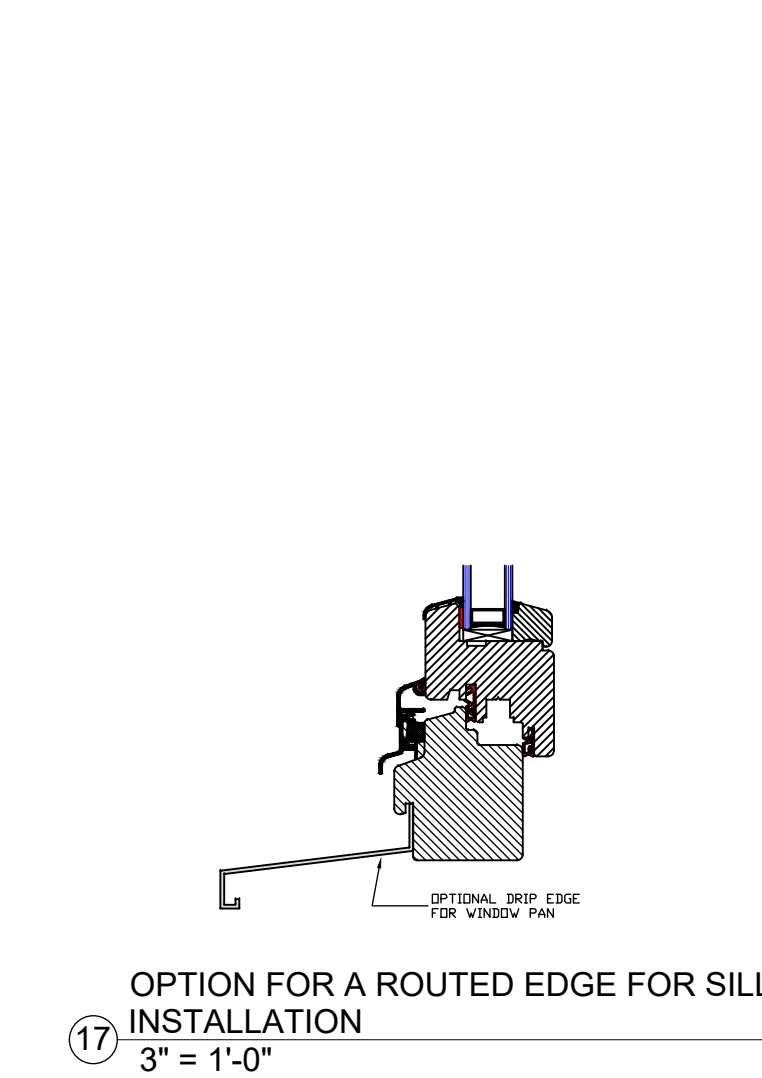


A ELEVATIONS - ZOLA CLASSIC WOOD
NOT TO SCALE

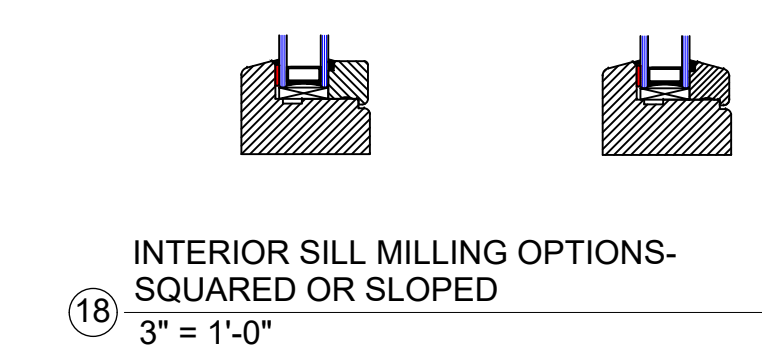
DETAILS



OPTIONS



OPTION FOR A ROUTED EDGE FOR SILL INSTALLATION (17) 3" = 1'-0"

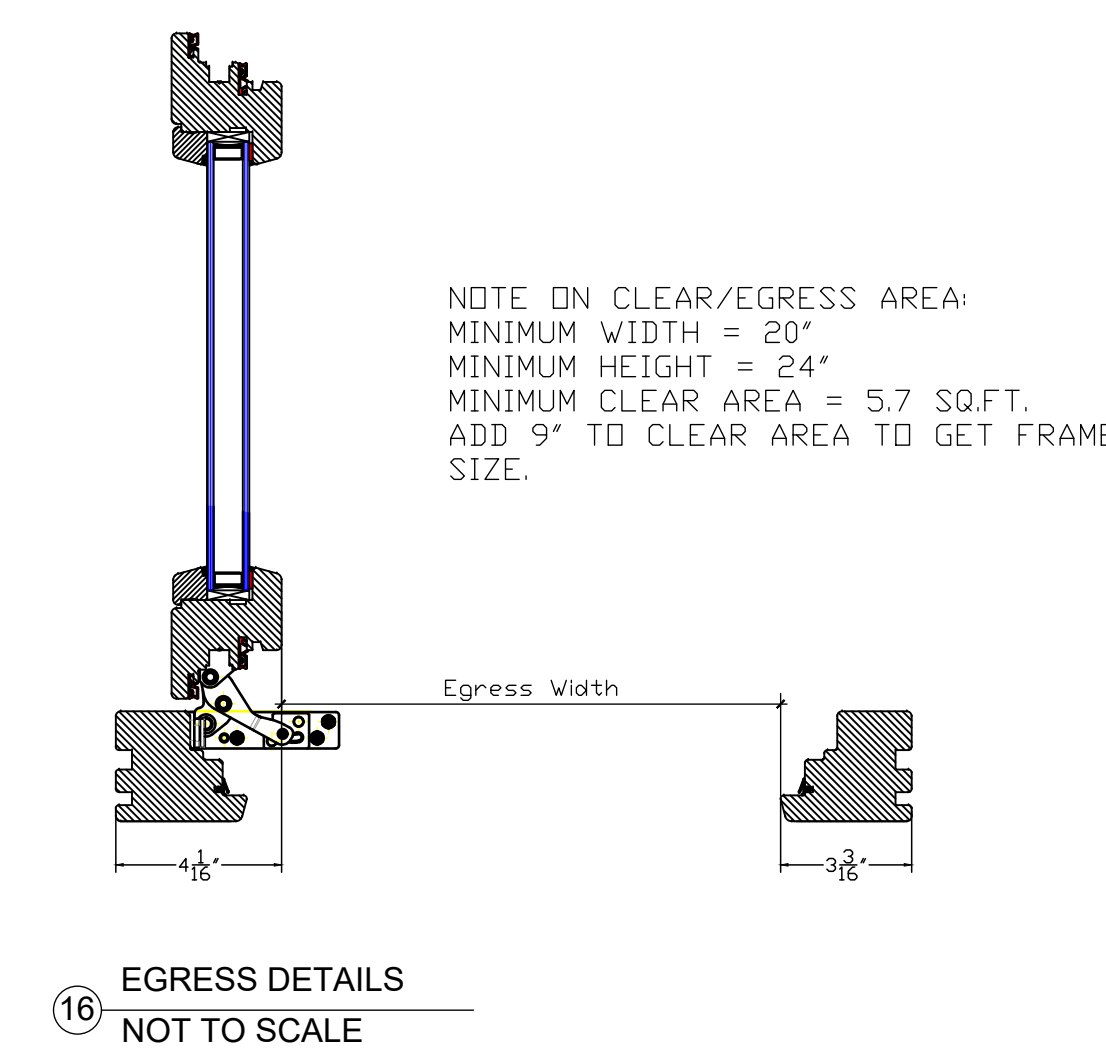


INTERIOR SILL MILLING OPTIONS - SQUARED OR SLOPED (18) 3" = 1'-0"

NOTE: DETAILS PROVIDED FOR EXPLANATION ONLY. ARCHITECT AND ENGINEER OF RECORD TO DEVELOP PROJECT SPECIFIC DETAILS. ZOLA RESERVES RIGHTS TO MAKE TECHNICAL CHANGES AND UPDATES WHICH MAY NOT BE REFLECTED IN DRAWINGS

No.	Description	Date

EGRESS DIMENSIONS



Customized installation details by project architect or waterproofing consultant are required for a successful installation.

CLASSIC WOOD WINDOW DETAILS FIXED AND TILT & TURN

Project number
Date July 2024
Drawn by
Checked by

A101

Scale As indicated