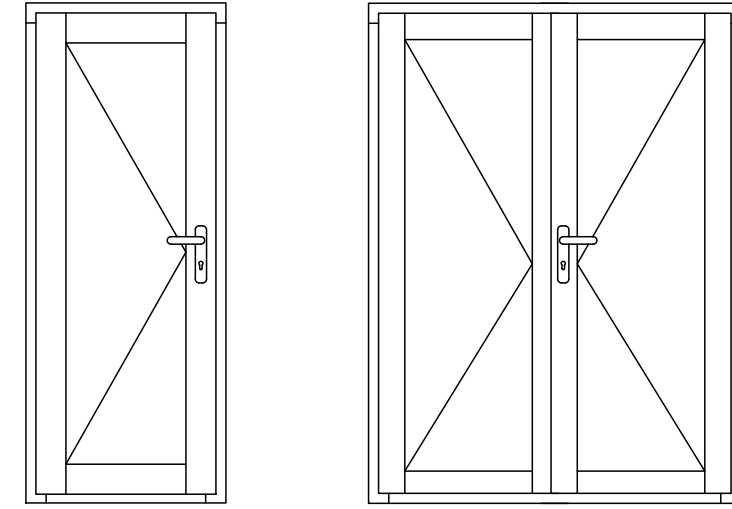
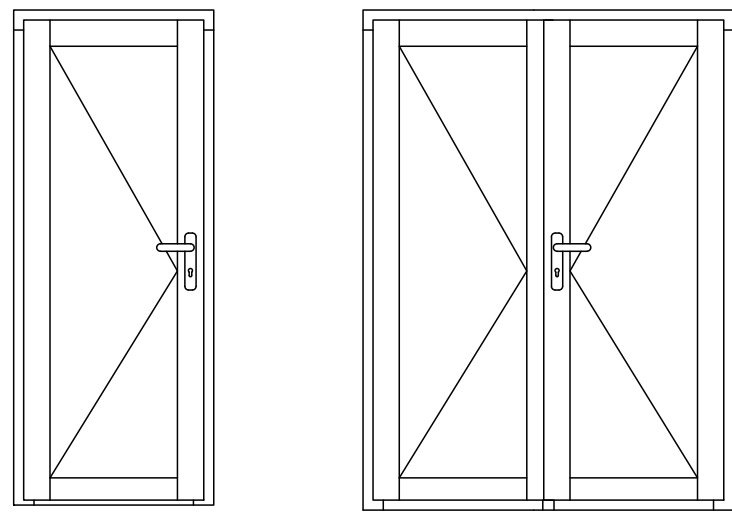


Swing Doors

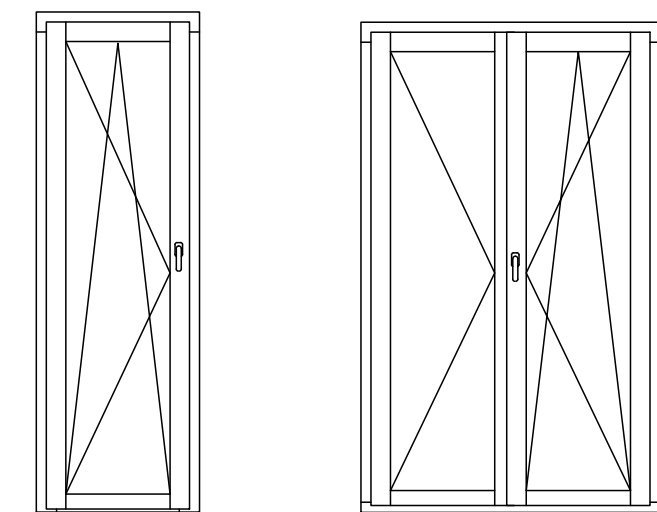
ELEVATIONS



A ELEVATIONS - ENTRY DOORS
3/8" = 1'-0"

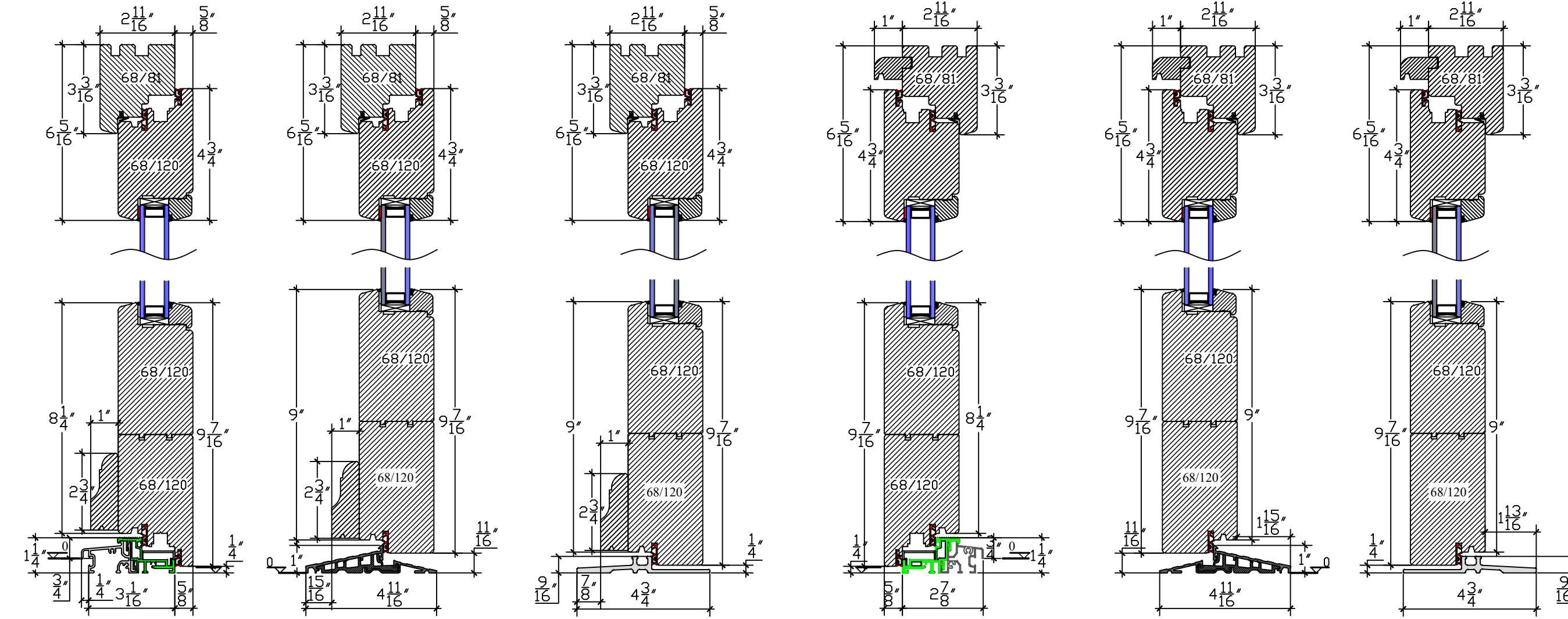


B ELEVATIONS - TERRACE DOORS
3/8" = 1'-0"



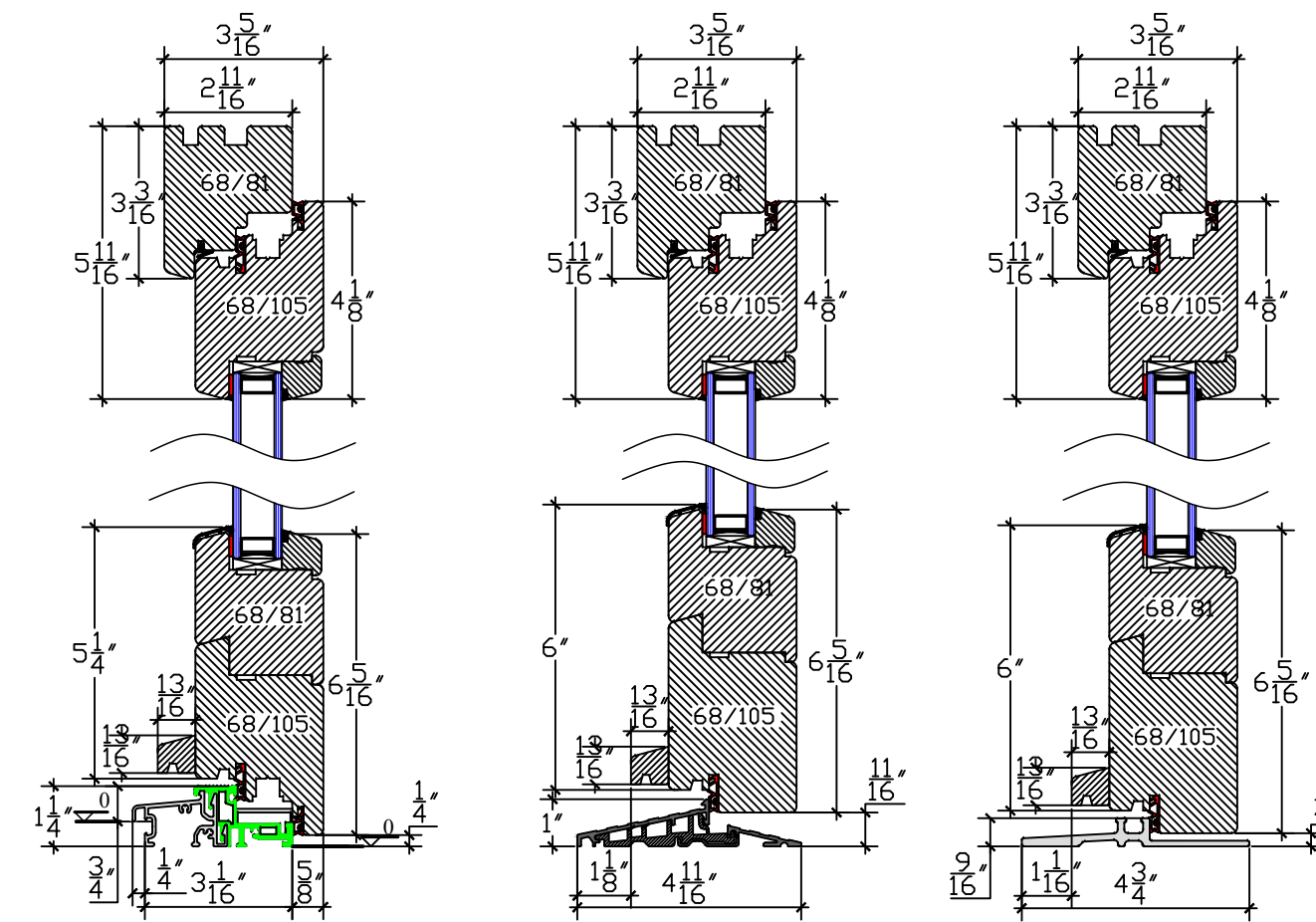
C ELEVATIONS - BALCONY DOORS
3/8" = 1'-0"

DETAILS



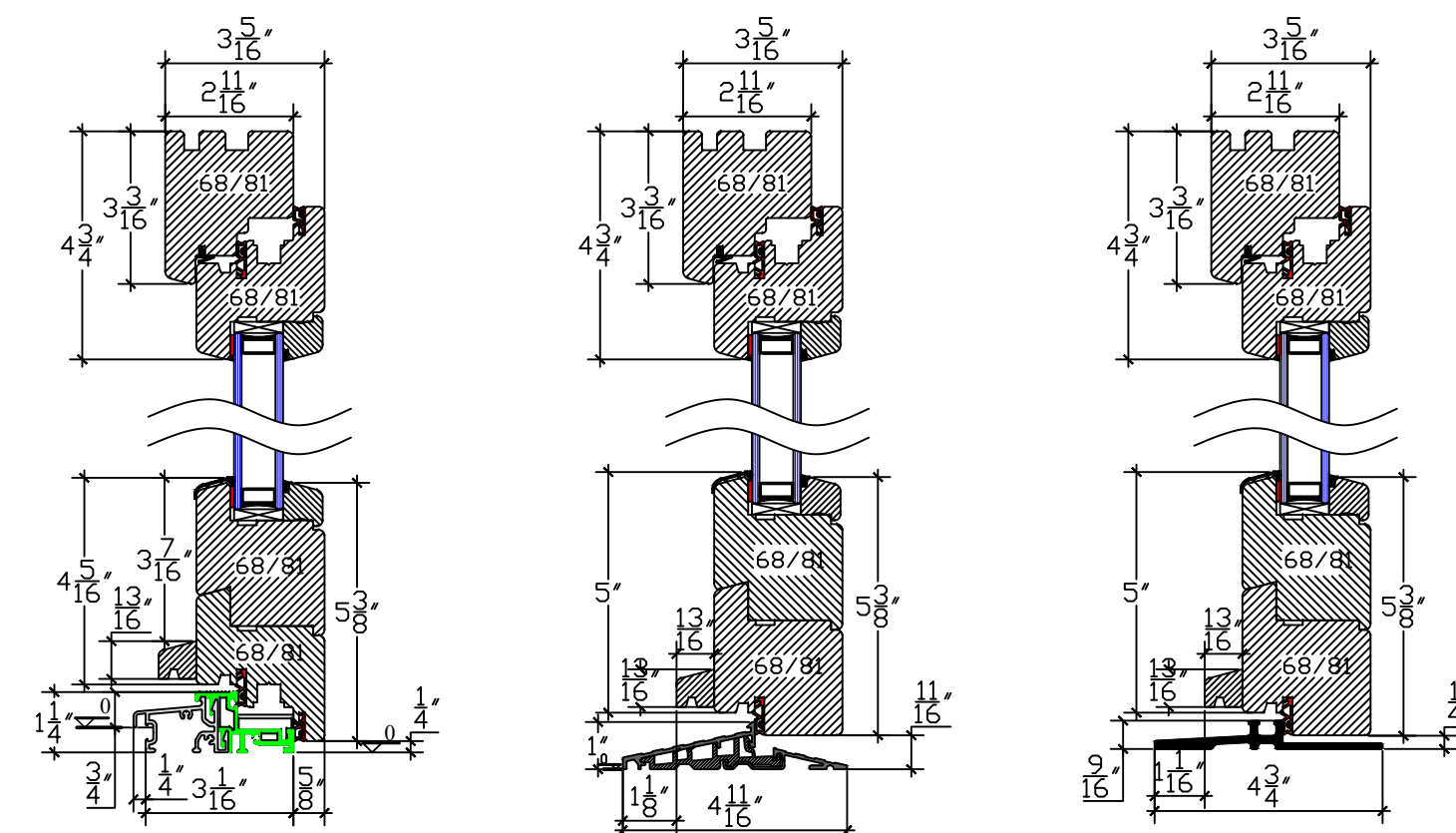
Inswing Entry Door, Weser dual seal threshold. Inswing Entry Door, Dafa II low threshold. Inswing Entry Door, fiberglass ultra-low threshold. Available only in Grey. Outswing Entry Door, Weser dual seal threshold. Outswing Entry Door, Dafa II low threshold. Outswing Entry Door, fiberglass ultra-low threshold. Available only in Grey.

1 STANDARD ENTRY DOOR DETAILS
3" = 1'-0"



Inswing Terrace Door, Weser dual seal threshold. Inswing Terrace Door, Dafa II low threshold. Inswing Terrace Door, fiberglass ultra-low threshold. Available only in Grey.

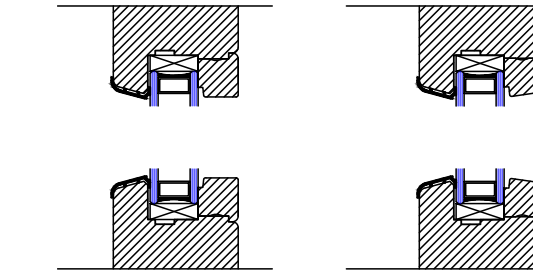
2 STANDARD TERRACE DOOR DETAILS
3" = 1'-0"



Inswing Balcony Door, Weser dual seal threshold. *Tilt and turn. Inswing Balcony Door, Dafa II low threshold. *No tilt function. Inswing Balcony Door, fiberglass ultra-low threshold. Available only in Grey. *No tilt function.

3 STANDARD BALCONY DOOR DETAILS
3" = 1'-0"

OPTIONS



4 INTERIOR SILL MILLING OPTIONS - SQUARED OR SLOPED
3" = 1'-0"

NOTE: DETAILS PROVIDED FOR EXPLANATION ONLY. ARCHITECT AND ENGINEER OF RECORD TO DEVELOP PROJECT SPECIFIC DETAILS. ZOLA RESERVES RIGHTS TO MAKE TECHNICAL CHANGES AND UPDATES WHICH MAY NOT BE REFLECTED IN DRAWINGS

No.	Description	Date

**CLASSIC WOOD
DOOR DETAILS**
**ENTRY, TERRACE,
BALCONY**

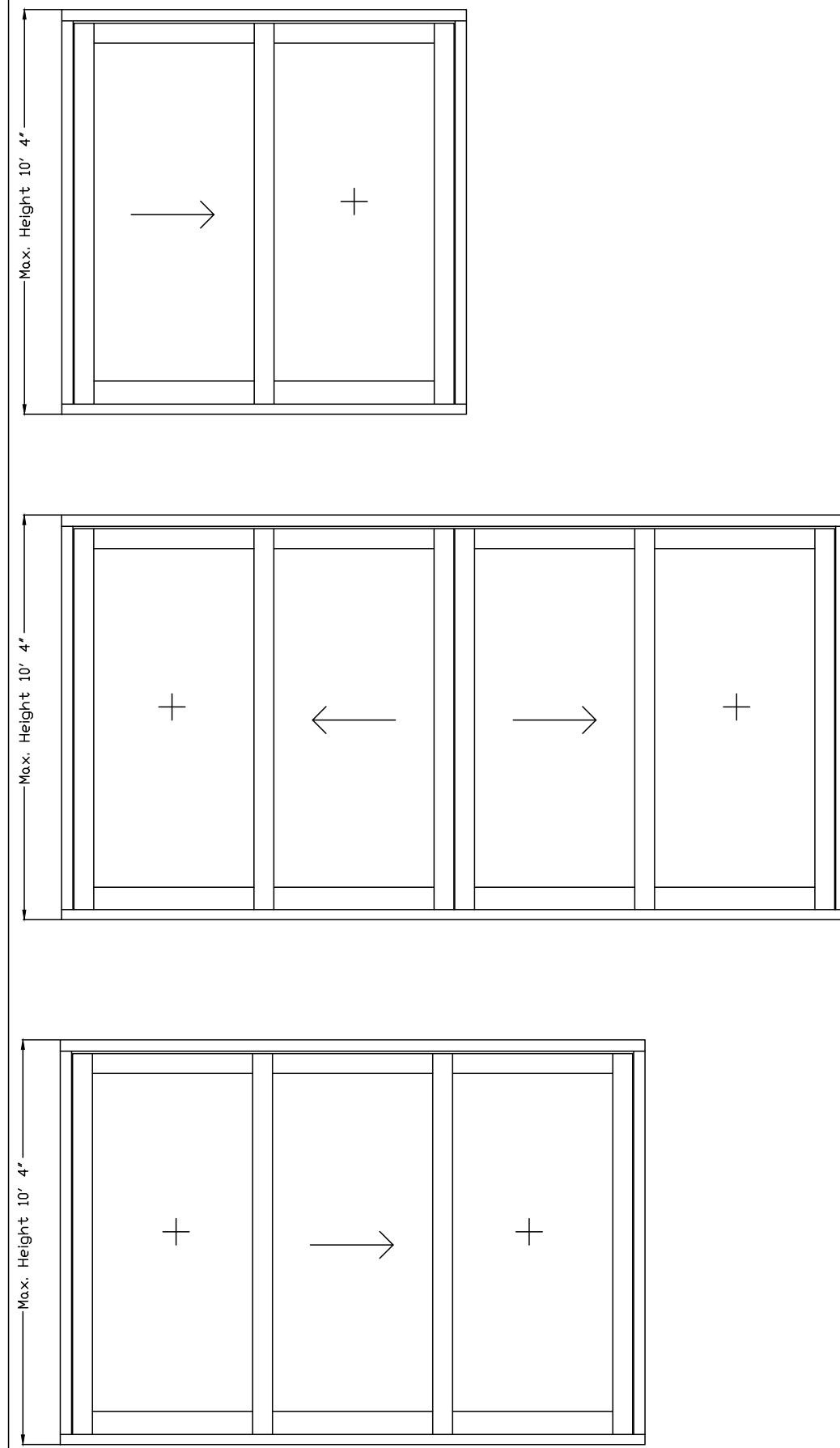
Project number
Date MAY 2024
Drawn by
Checked by

A101

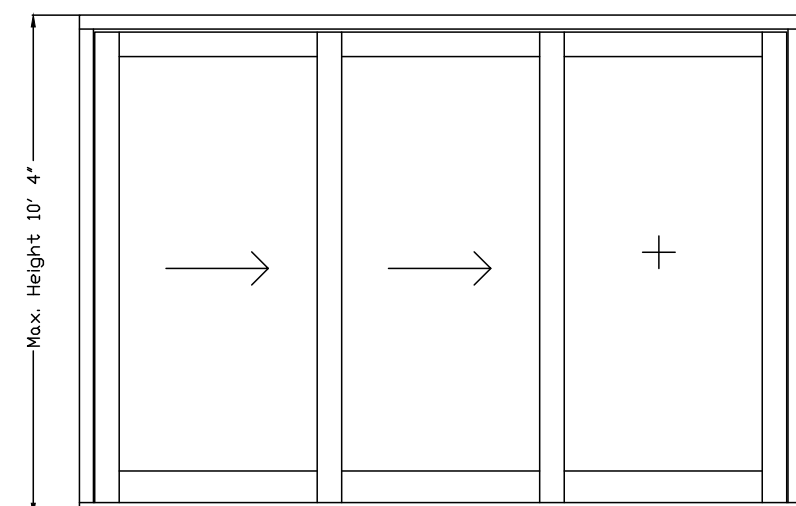
Scale AS INDICATED

New Generation Lift-Slide Doors

ELEVATIONS



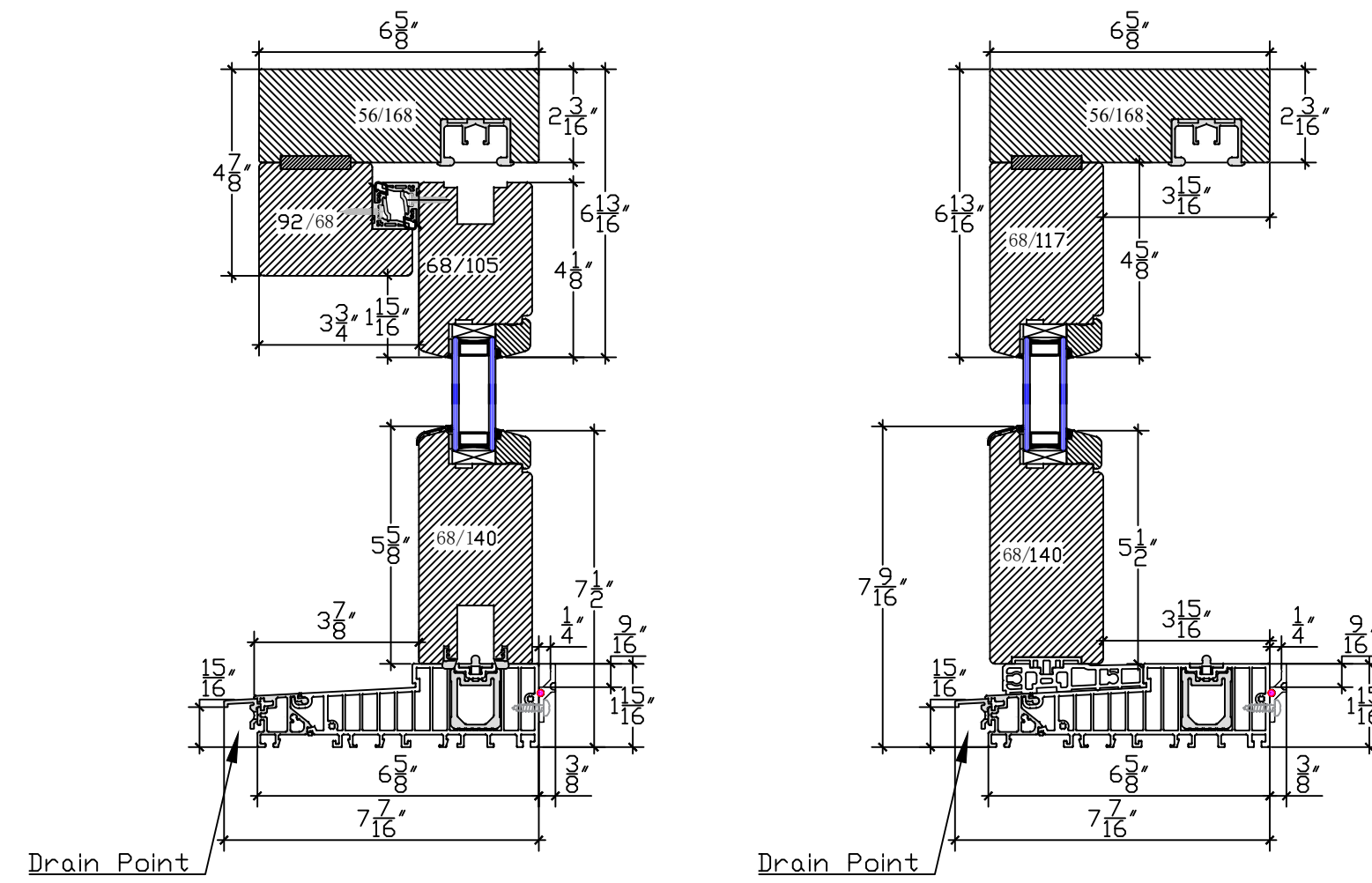
A ELEVATIONS - LIFT-SLIDE DOORS
3/8" = 1'-0"



*note: each panel can be a maximum of 10'x8' either orientation

B ELEVATIONS - TRIPLE LIFT-SLIDE DOORS
3/8" = 1'-0"

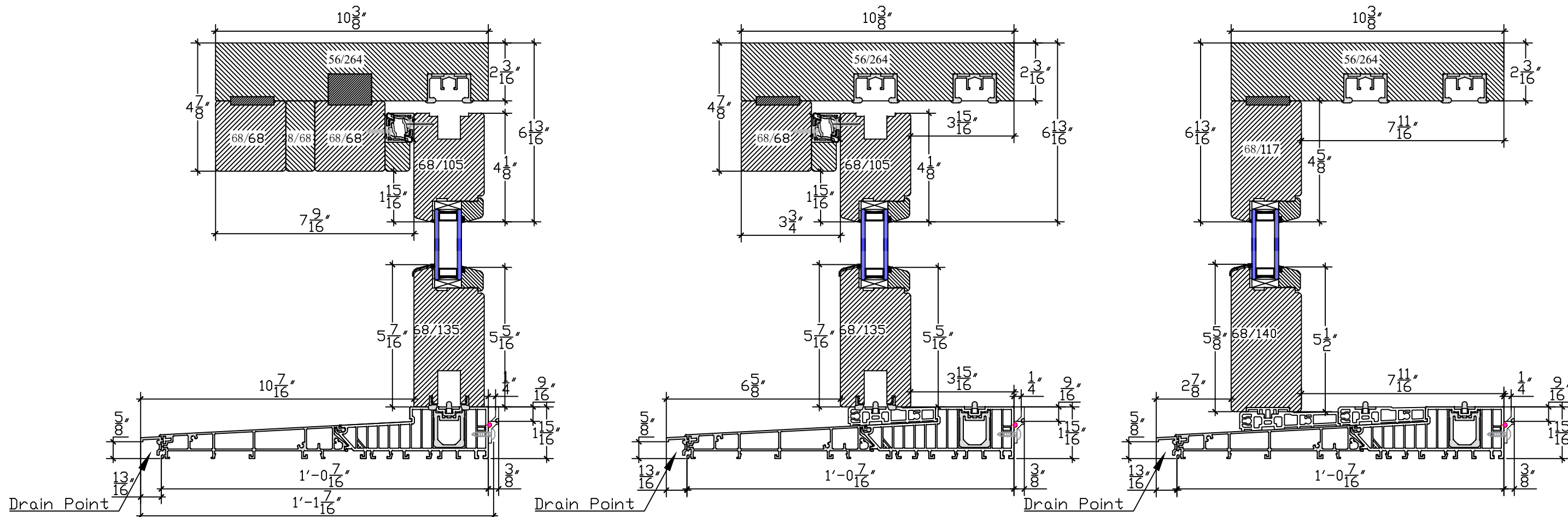
DETAILS



LIFT SLIDE HEAD AND THRESHOLD DETAIL, SHOWING ACTIVE SASH

LIFT SLIDE HEAD AND THRESHOLD DETAIL, SHOWING PASSIVE SASH

1 NEW GENERATION LIFT-SLIDE DOOR DETAIL
3" = 1'-0"

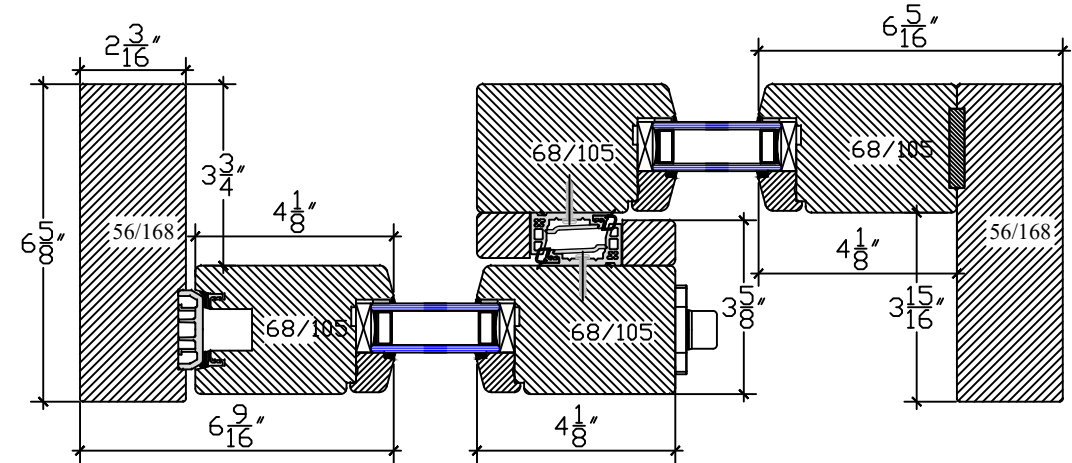


TRIPLE LIFT SLIDE HEAD AND THRESHOLD DETAIL, SHOWING ACTIVE INTERIOR SASH

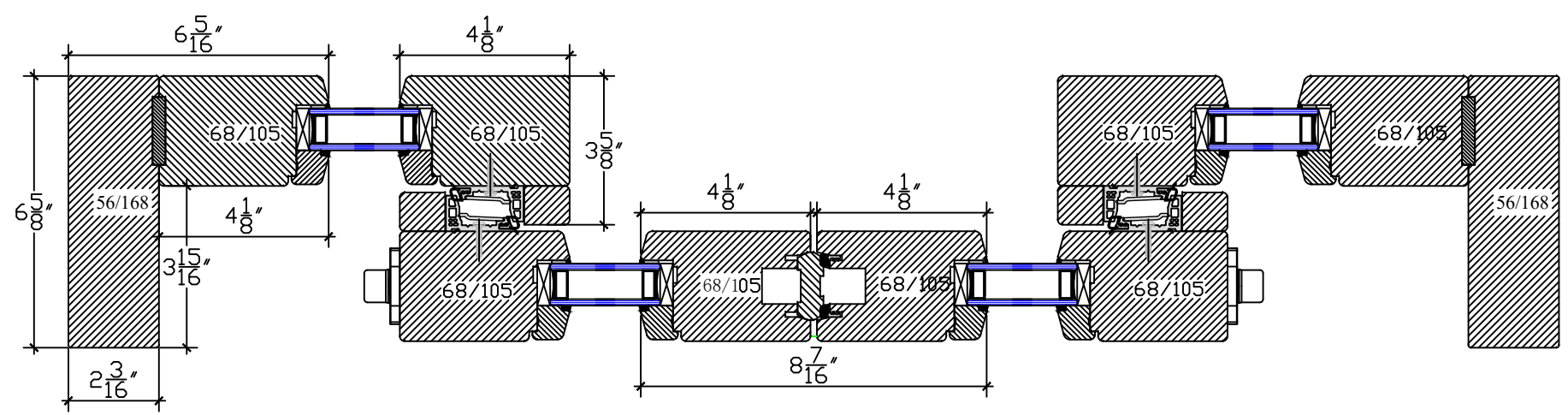
TRIPLE LIFT SLIDE HEAD AND THRESHOLD DETAIL, SHOWING ACTIVE CENTER SASH

TRIPLE LIFT SLIDE HEAD AND THRESHOLD DETAIL, SHOWING EXTERIOR FIXED SASH

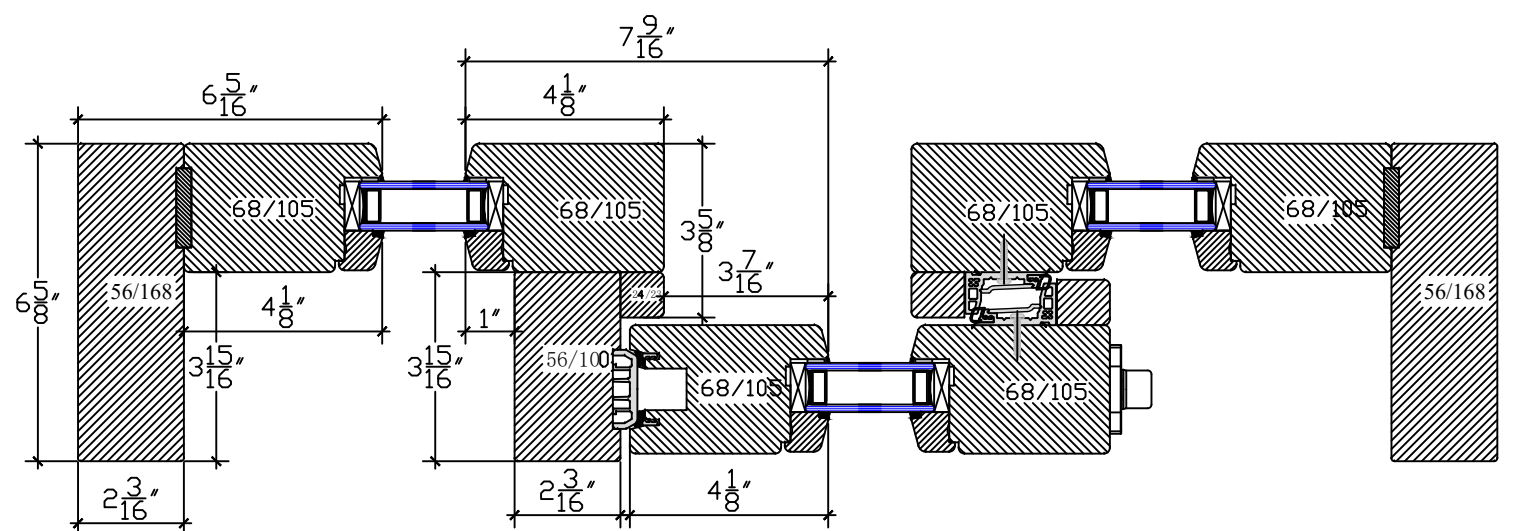
2 NEW GENERATION TRIPLE LIFT-SLIDE DOOR DETAIL (QUADRAT CLADDING ONLY)
3" = 1'-0"



XD LIFT SLIDE PLAN SECTION

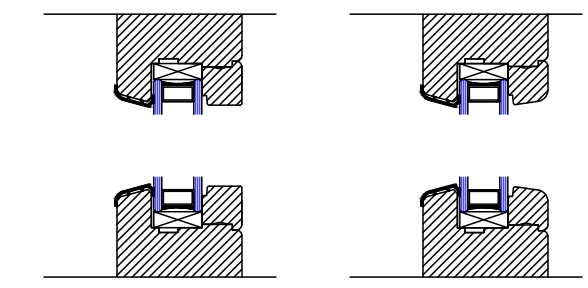


DXDX LIFT SLIDE PLAN SECTION

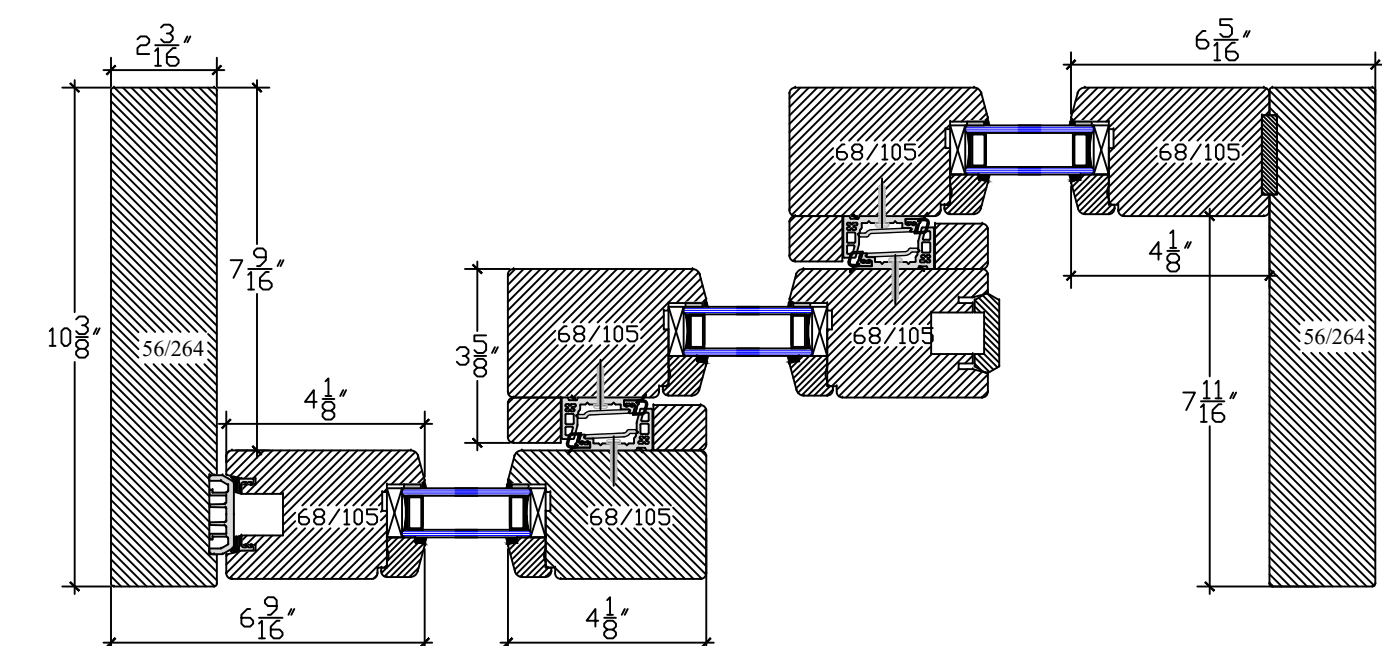


DXD LIFT SLIDE PLAN SECTION, ACTIVE SASH MOVES TO ONE SIDE ONLY

OPTIONS



3 INTERIOR SILL MILLING OPTIONS - SQUARED OR SLOPED
3" = 1'-0"



TRIPLE LIFT SLIDE PLAN SECTION

NOTE: DETAILS PROVIDED FOR EXPLANATION ONLY. ARCHITECT AND ENGINEER OF RECORD TO DEVELOP PROJECT SPECIFIC DETAILS. ZOLA RESERVES RIGHTS TO MAKE TECHNICAL CHANGES AND UPDATES WHICH MAY NOT BE REFLECTED IN DRAWINGS

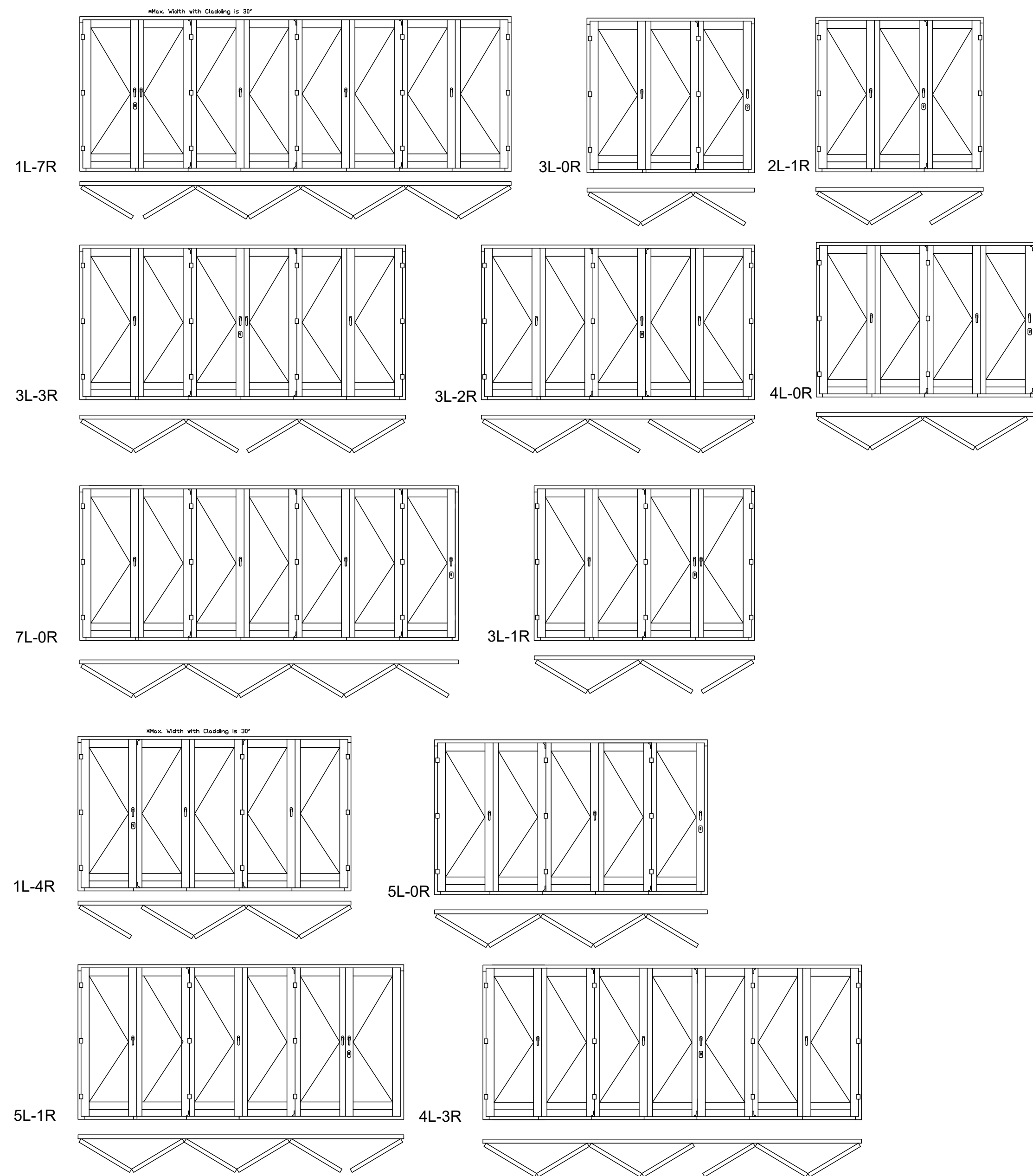
No.	Description	Date

CLASSIC WOOD DOOR DETAILS
NEW GENERATION LIFT SLIDE

Project number	
Date	MAY 2024
Drawn by	
Checked by	
A102	
Scale	AS INDICATED

Breeze Panel Doors

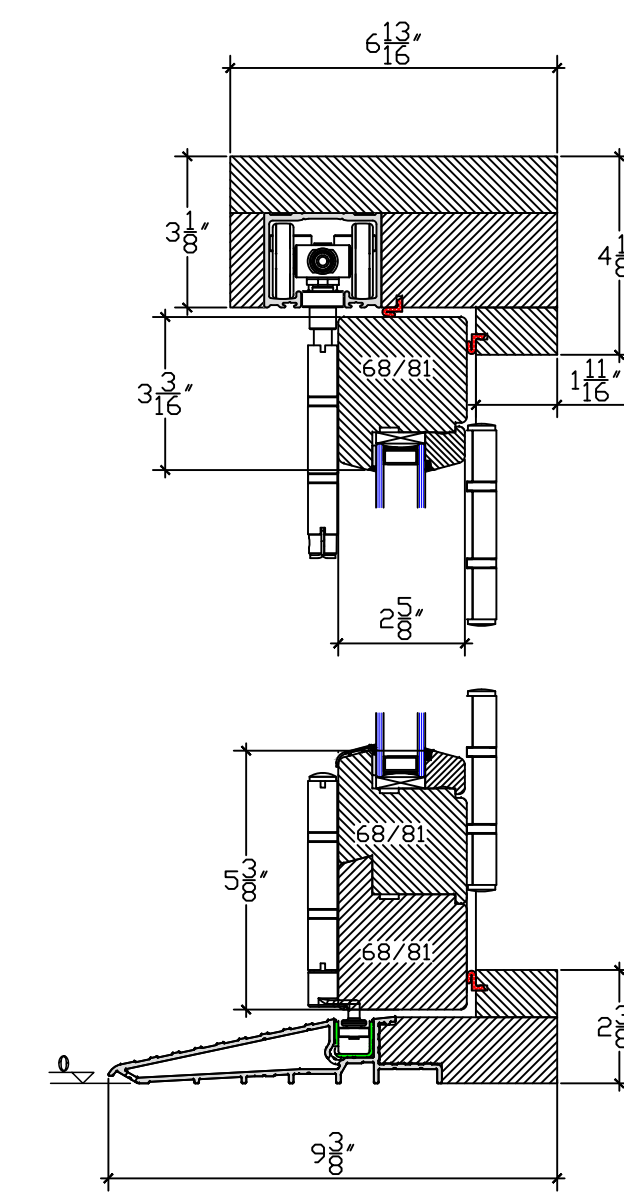
ELEVATIONS



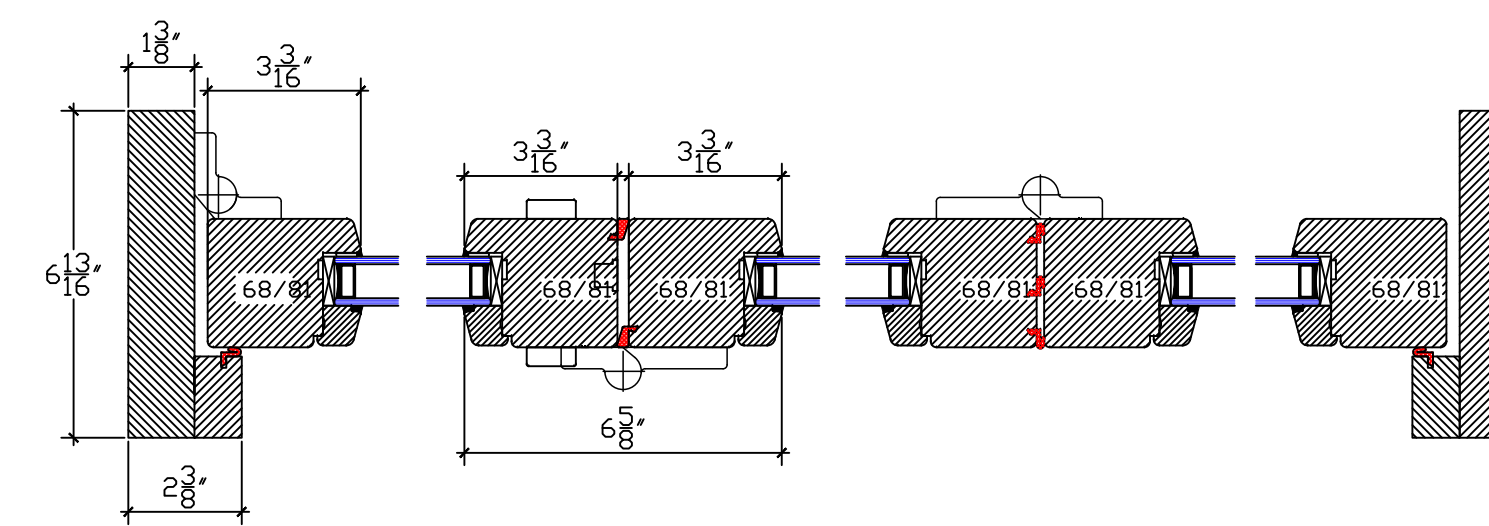
(A) ELEVATIONS - BREEZE PANEL DOORS
1/4" = 1'-0"

*Requires Zola Windows Technician Visit for optimal installation. Refer to Breeze Panel Installation Guide. Breeze panel units require ongoing adjustments for the lifetime of the unit. Zola Windows Technicians provide initial training and are available for paid tech visits for ongoing adjustments.

DETAILS



OUTSWING - SECTION VIEW



OUTSWING - PLAN VIEW

① STANDARD OUTSWING BREEZEPANEL DETAILS
3" = 1'-0"

NOTE: DETAILS PROVIDED FOR EXPLANATION ONLY. ARCHITECT AND ENGINEER OF RECORD TO DEVELOP PROJECT SPECIFIC DETAILS. ZOLA RESERVES RIGHTS TO MAKE TECHNICAL CHANGES AND UPDATES WHICH MAY NOT BE REFLECTED IN DRAWINGS

No.	Description	Date

CLASSIC WOOD
DOOR DETAILS

BREEZE PANELS

Project number

Date MAY 2024

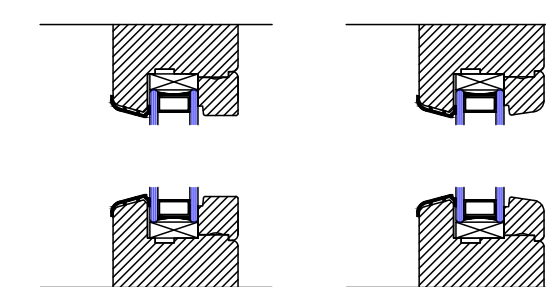
Drawn by

Checked by

A103

Scale AS INDICATED

OPTIONS



② INTERIOR SILL MILLING OPTIONS - SQUARED OR SLOPED
3" = 1' - 0"