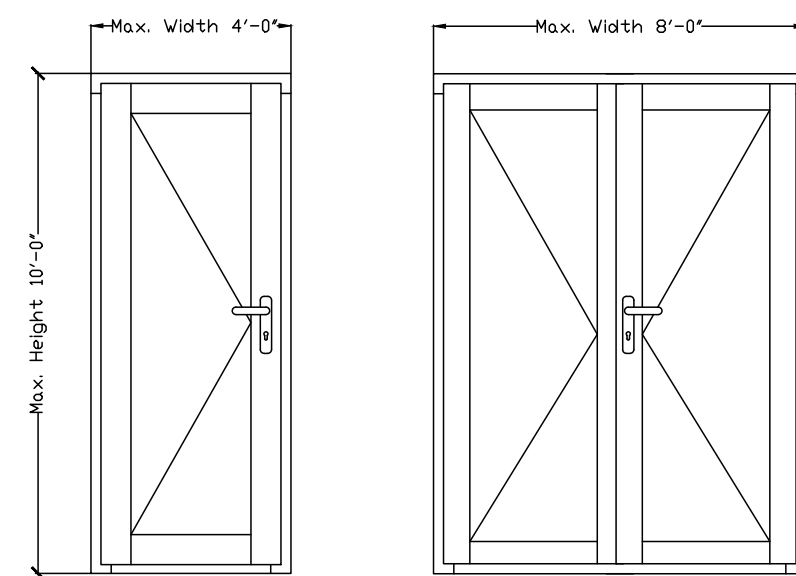
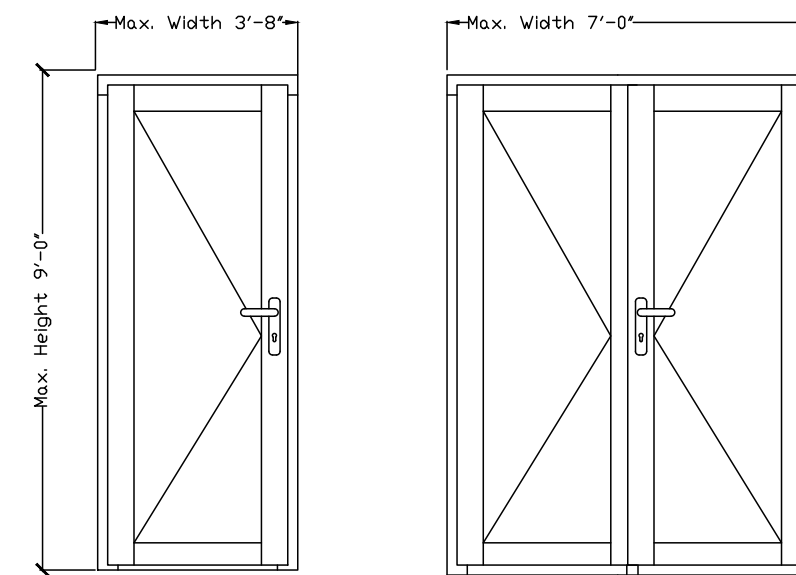


# Swing Doors

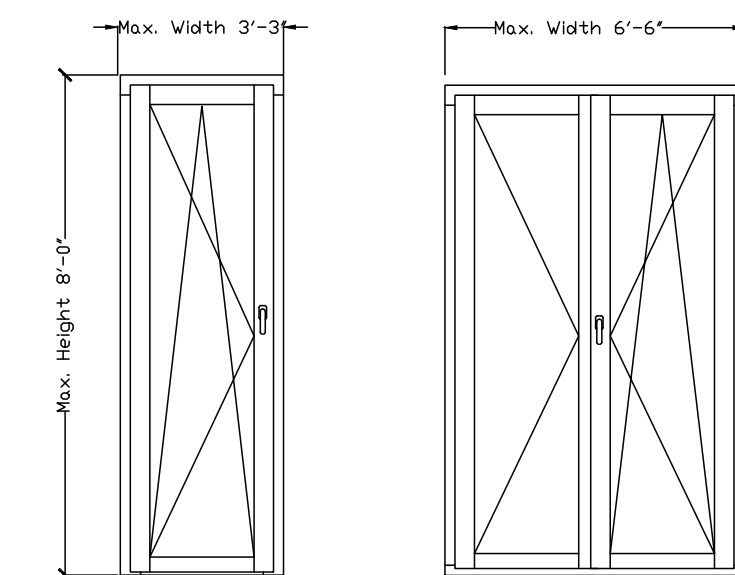
## ELEVATIONS



A ELEVATIONS - ENTRY DOORS  
3/8" = 1'-0"

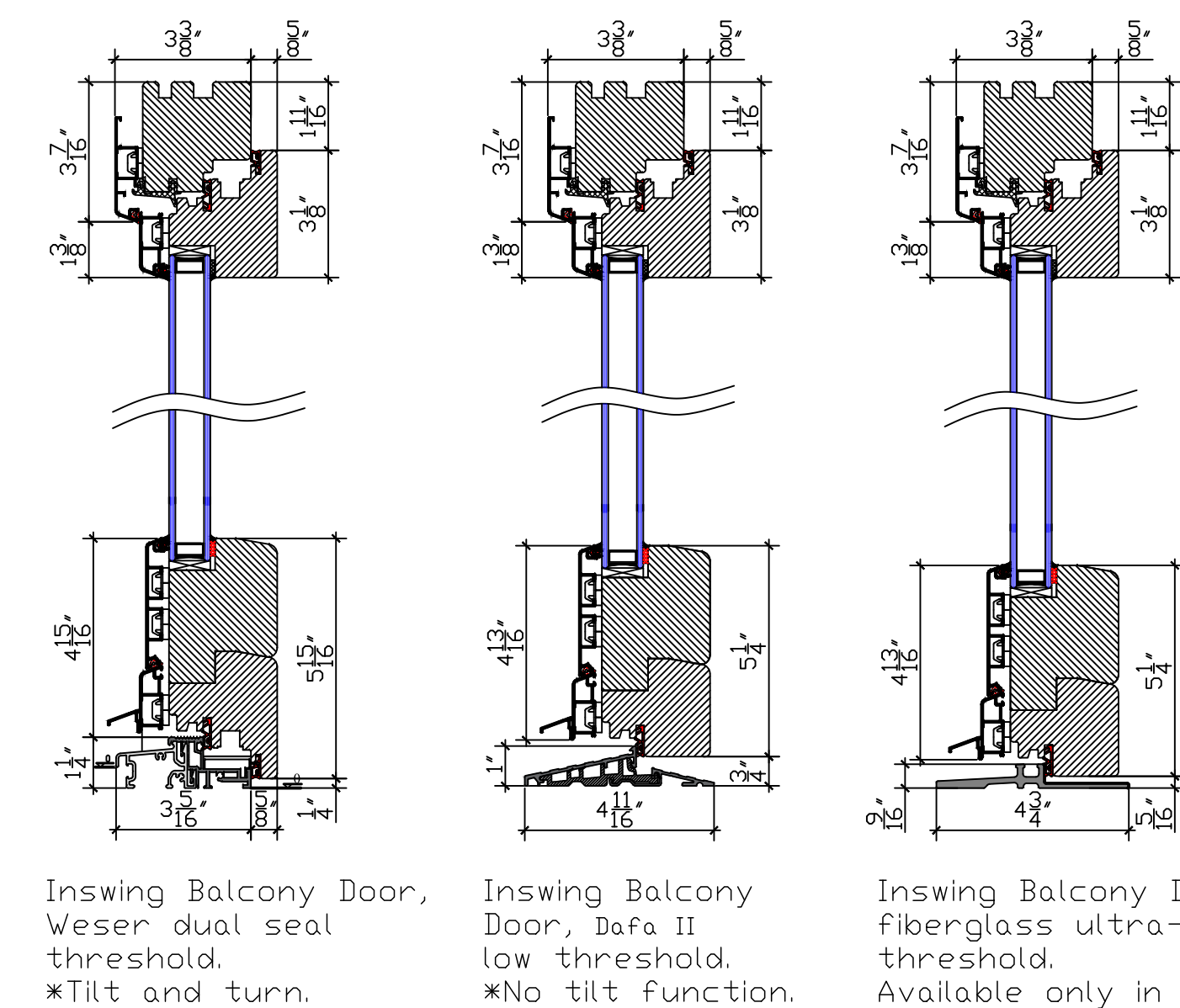
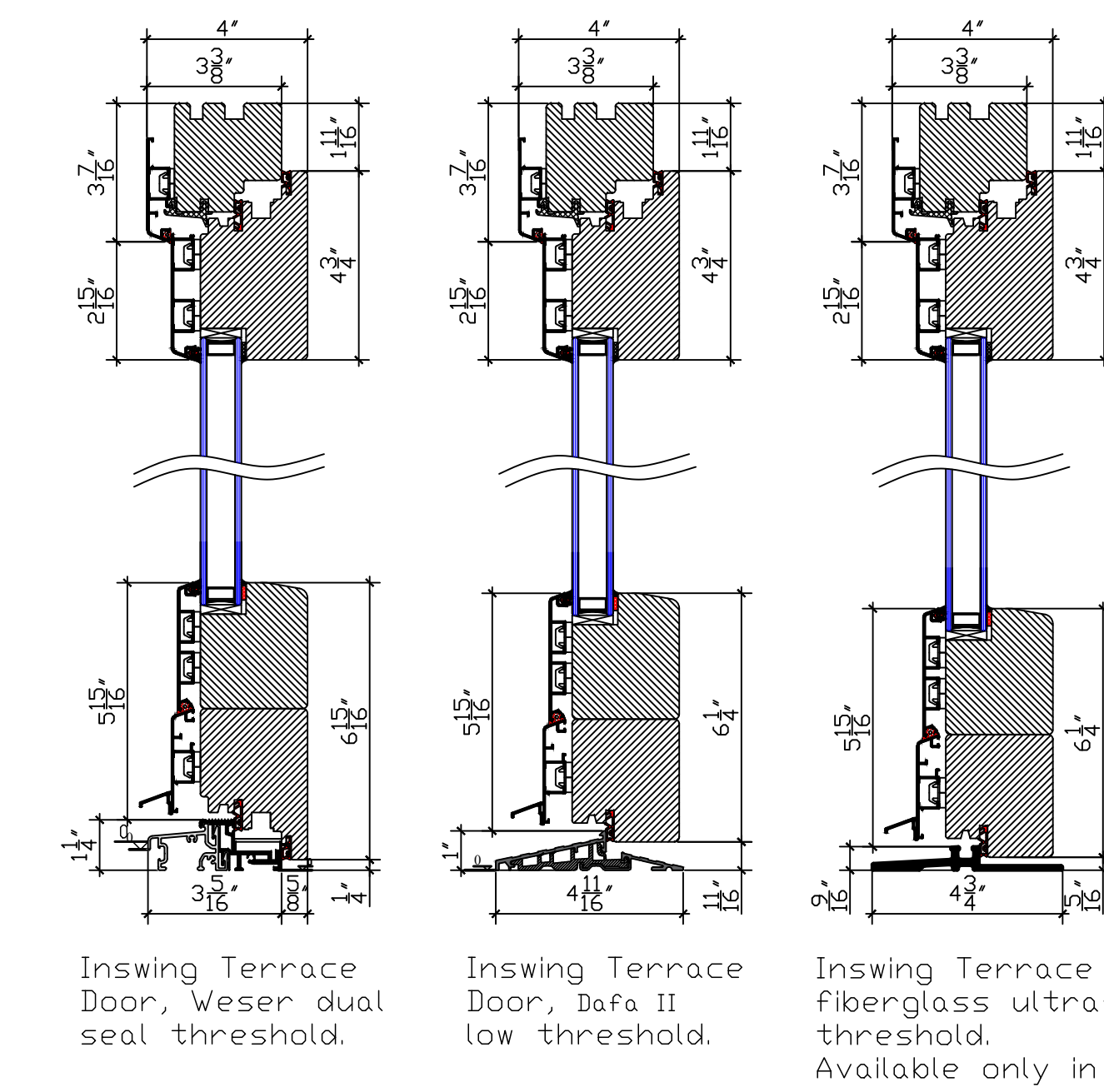
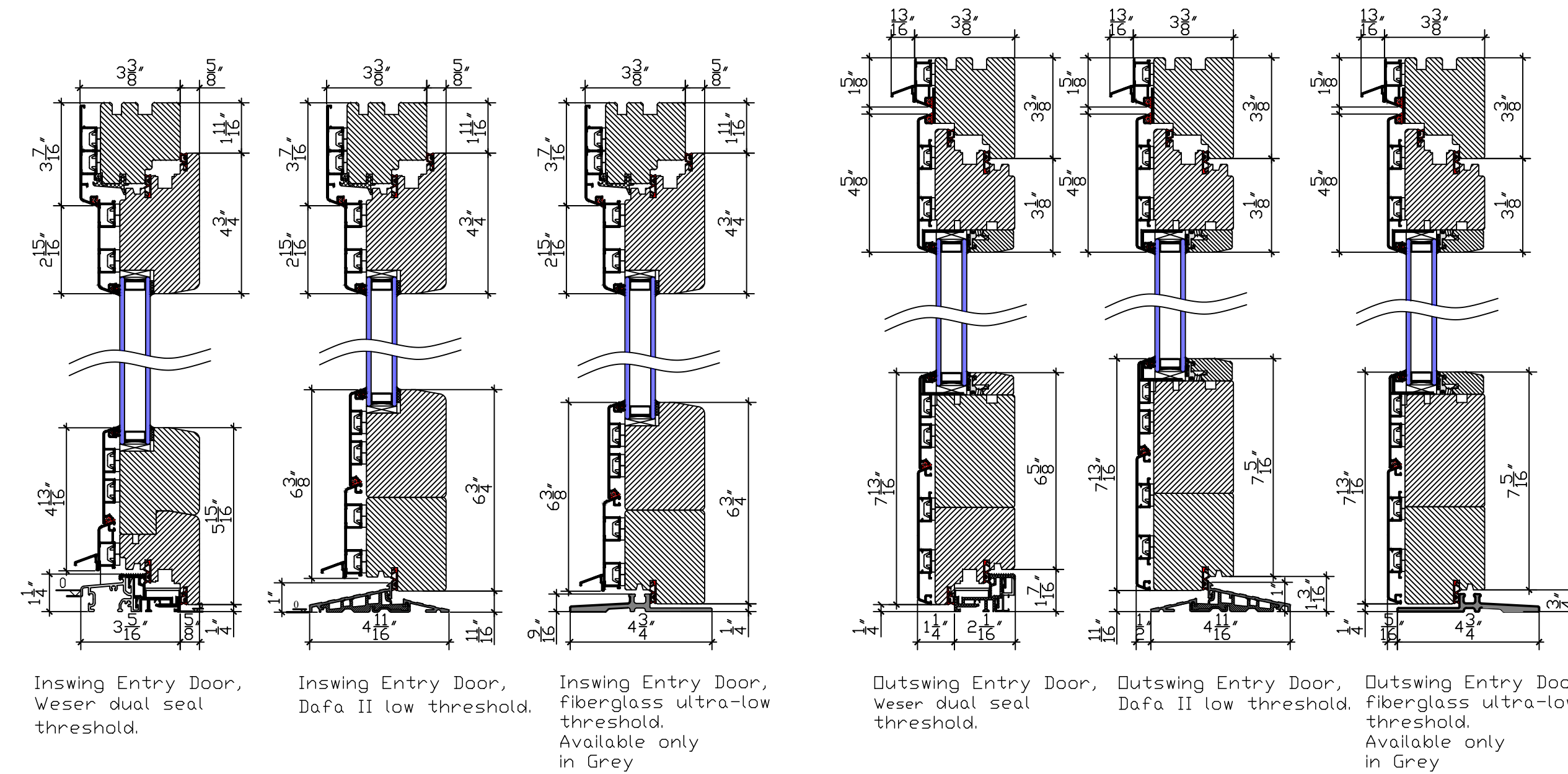


B ELEVATIONS - TERRACE DOORS  
3/8" = 1'-0"



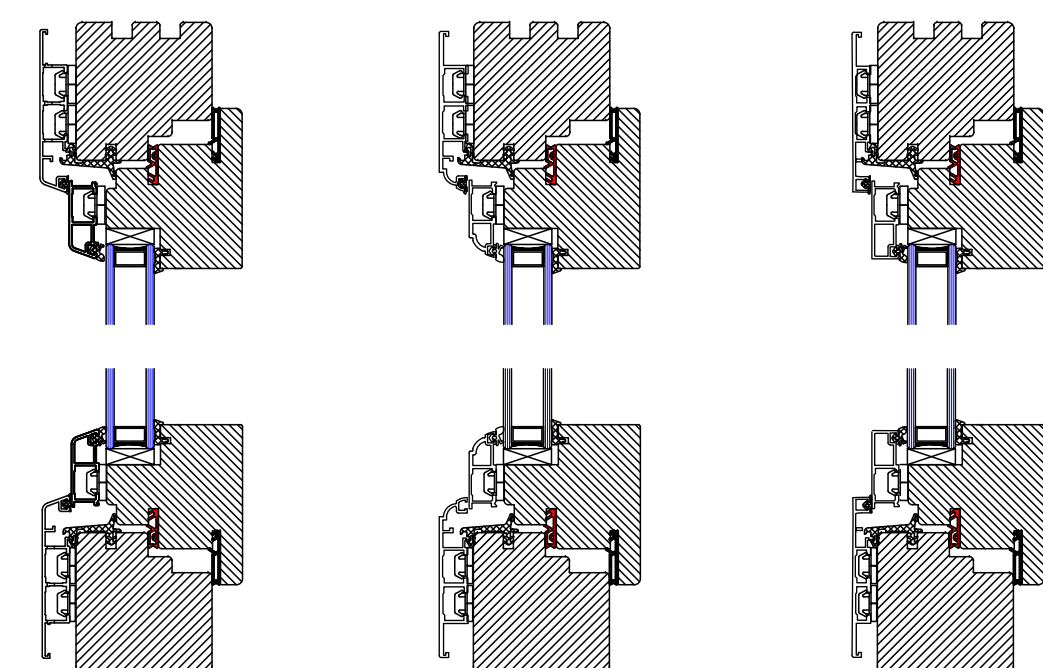
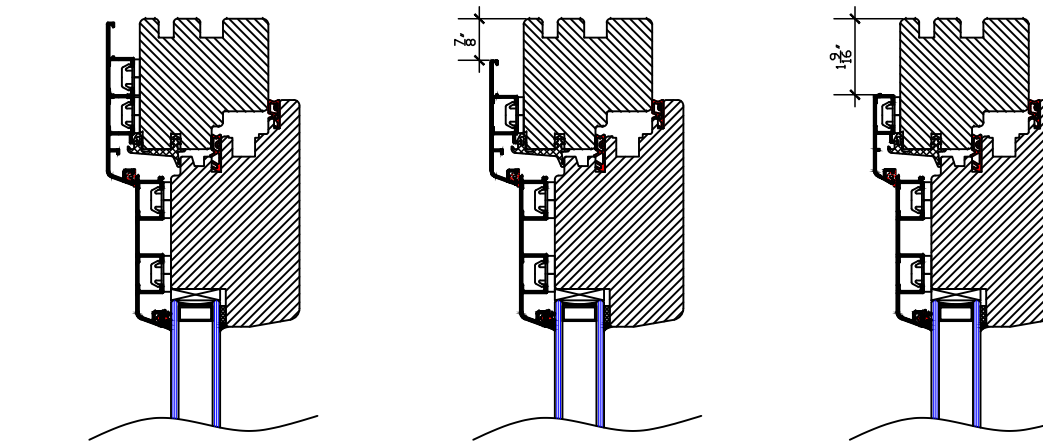
C ELEVATIONS - BALCONY DOORS  
3/8" = 1'-0"

## DETAILS



3 STANDARD BALCONY DOOR DETAILS  
3" = 1'-0"

## OPTIONS



www.euromallwindows.com

NOTE: DETAILS PROVIDED FOR EXPLANATION ONLY. ARCHITECT AND ENGINEER OF RECORD TO DEVELOP PROJECT SPECIFIC DETAILS. ZOLA RESERVES RIGHTS TO MAKE TECHNICAL CHANGES AND UPDATES WHICH MAY NOT BE REFLECTED IN DRAWINGS

No.	Description	Date

### CLASSIC CLAD DOOR DETAILS

#### ENTRY, TERRACE, BALCONY

Project number  
Date MAY 2024  
Drawn by  
Checked by

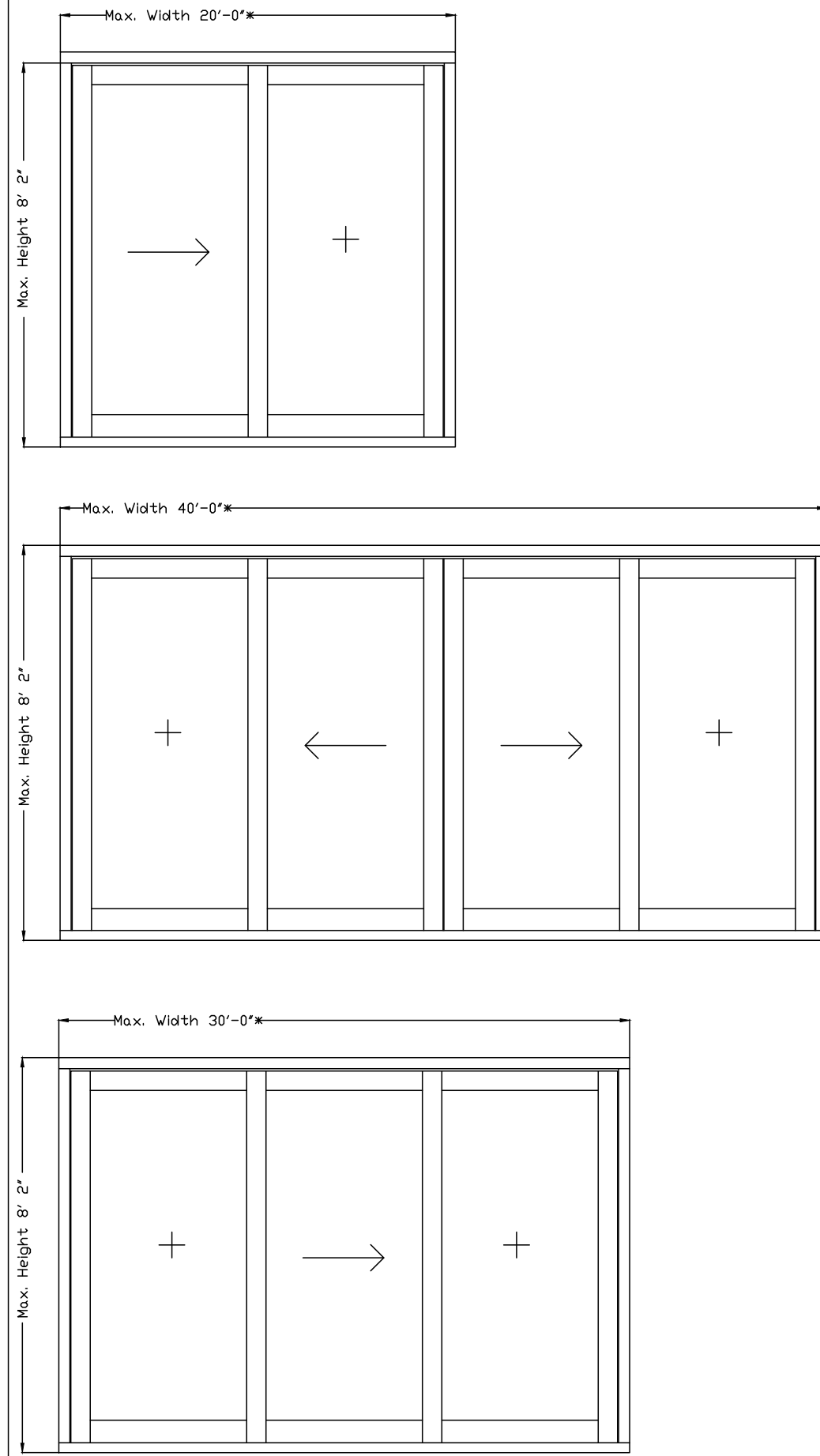
A101

Scale AS INDICATED

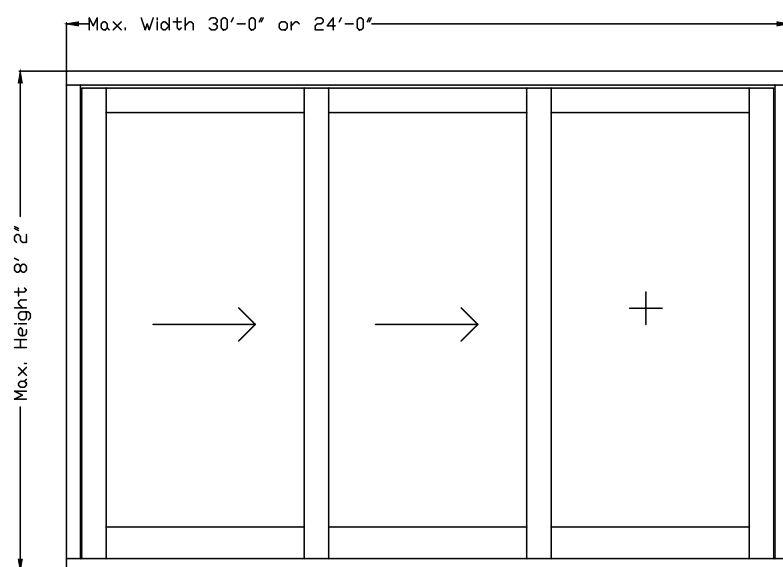
Customized installation details by project architect or waterproofing consultant are required for a successful installation.

# New Generation Lift-Slide Doors Under 98" Tall

## ELEVATIONS



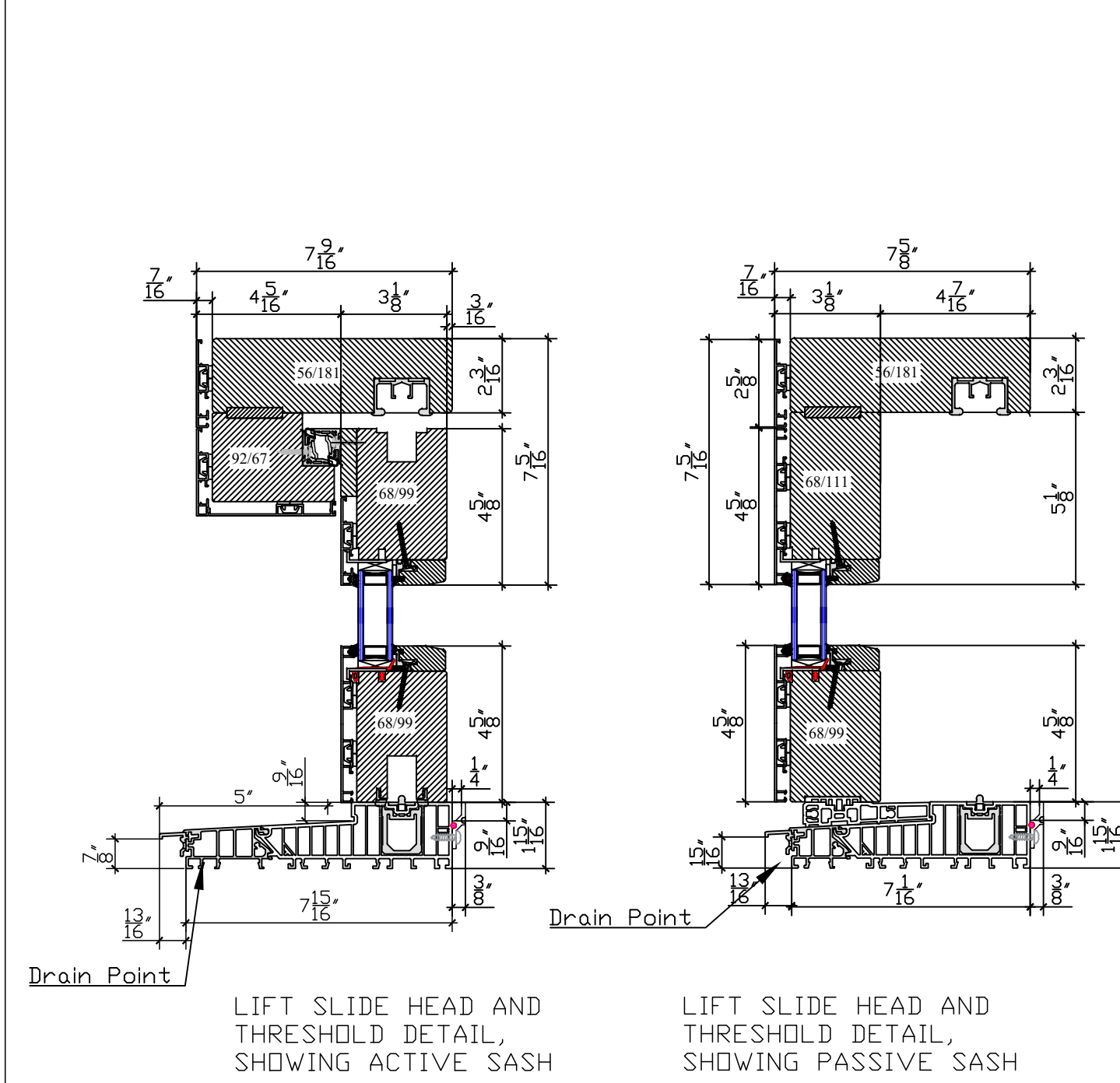
**A** ELEVATIONS - LIFT-SLIDE DOORS  
3/8" = 1'-0"



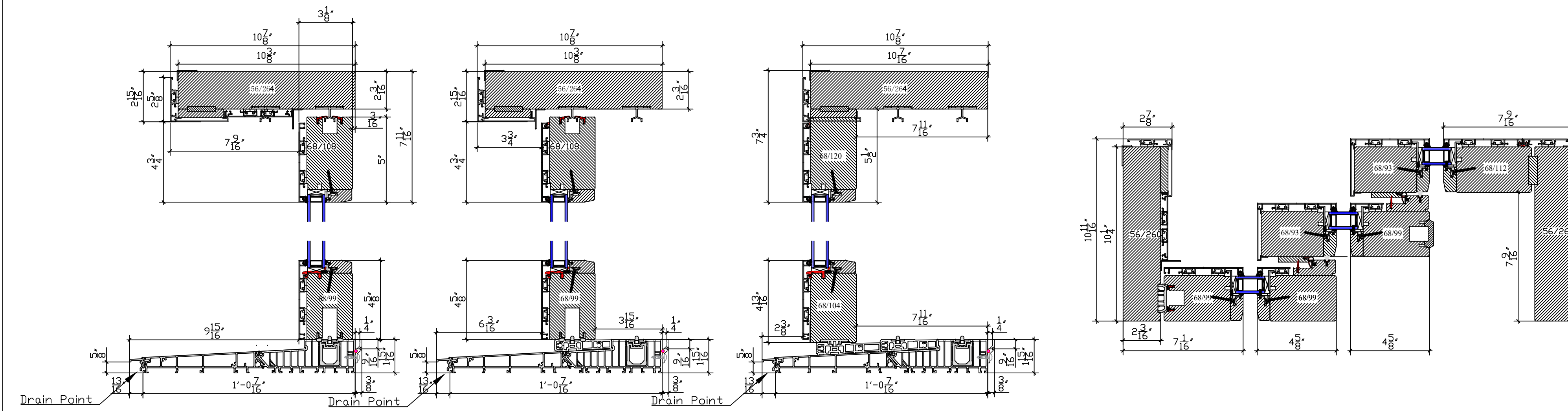
\*Note: each panel can be a maximum of 10'x8' either orientation

**B** ELEVATIONS - TRIPLE LIFT-SLIDE DOORS  
3/8" = 1'-0"

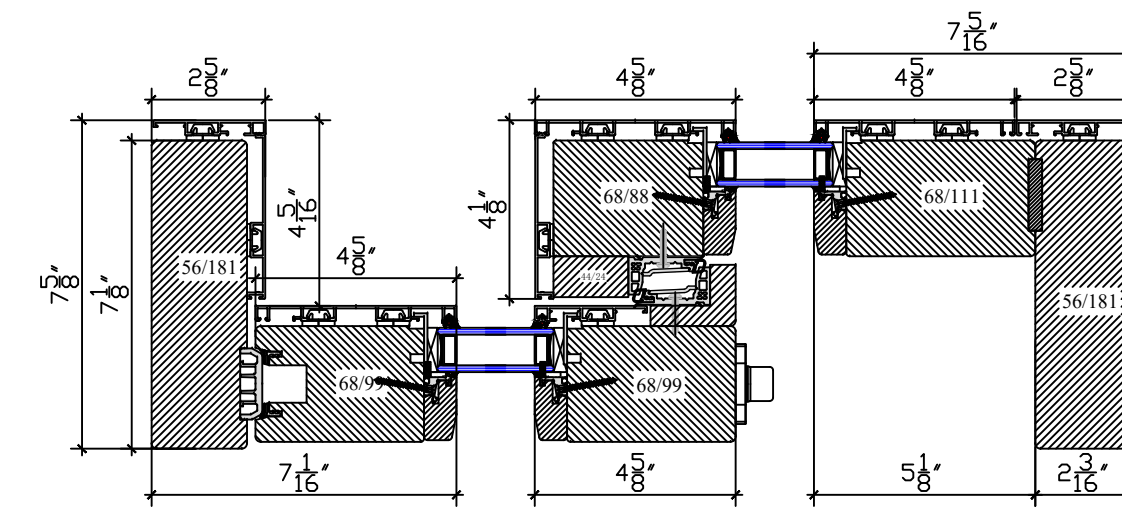
## DETAILS



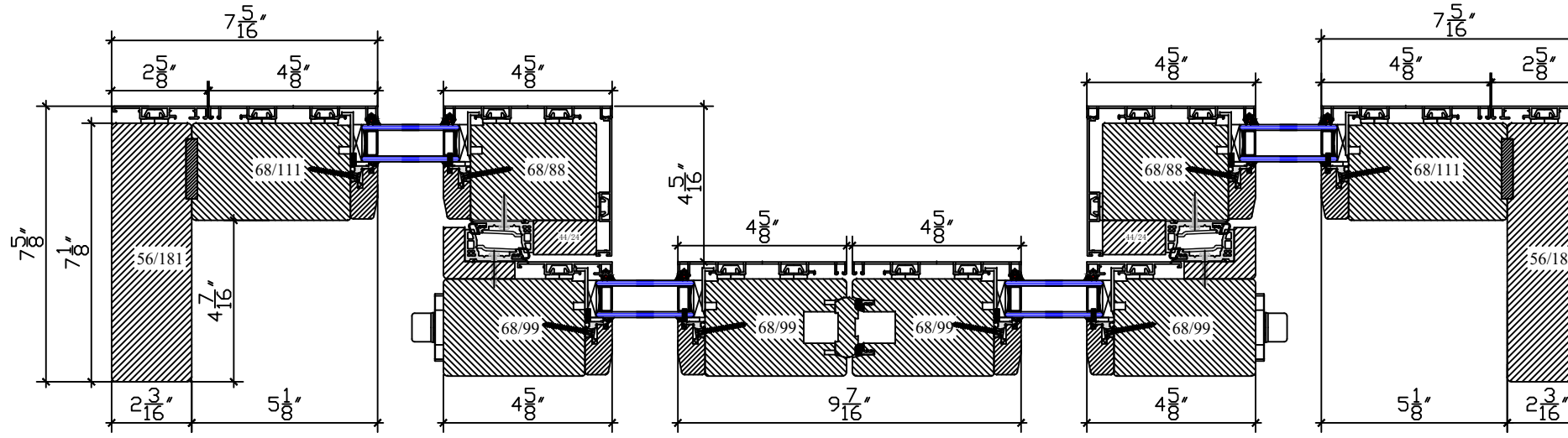
**1** NEW GENERATION LIFT-SLIDE DOOR DETAIL (QUADRAT CLADDING ONLY)  
3" = 1'-0"



**2** NEW GENERATION TRIPLE LIFT-SLIDE DOOR DETAIL (QUADRAT CLADDING ONLY)  
3" = 1'-0"



XO LIFT SLIDE PLAN SECTION



QXXO LIFT SLIDE PLAN SECTION

## OPTIONS



**3** INTERIOR SILL MILLING OPTIONS- SQUARED OR SLOPED  
3" = 1'-0"



WWW.ZOLAWINDOWS.COM  
(303) 578-0001

NOTE: DETAILS PROVIDED FOR EXPLANATION ONLY. ARCHITECT AND ENGINEER OF RECORD TO DEVELOP PROJECT SPECIFIC DETAILS. ZOLA RESERVES RIGHTS TO MAKE TECHNICAL CHANGES AND UPDATES WHICH MAY NOT BE REFLECTED IN DRAWINGS

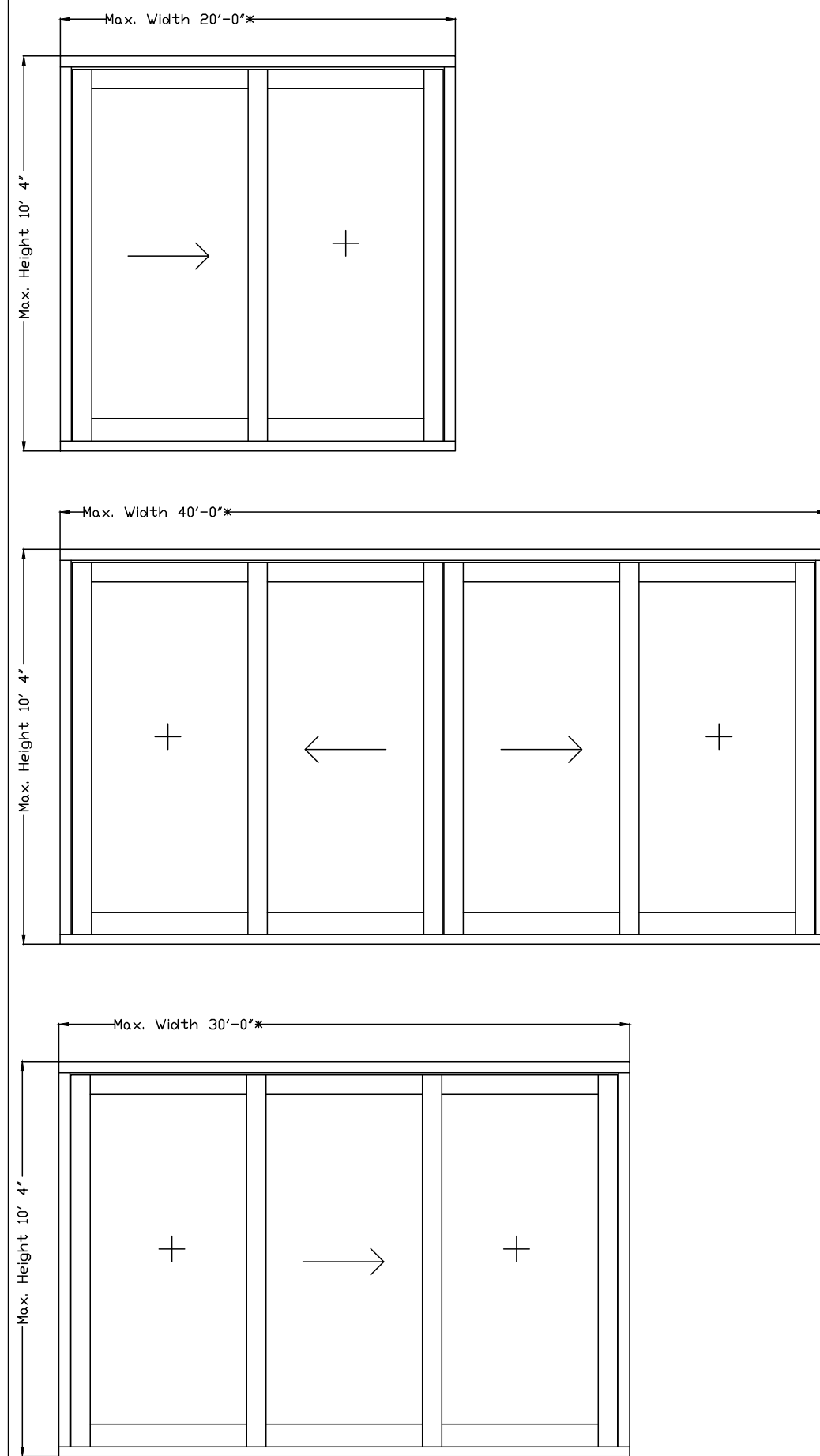
No.	Description	Date

**CLASSIC CLAD  
DOOR DETAILS  
NEW GENERATION  
LIFT SLIDE**

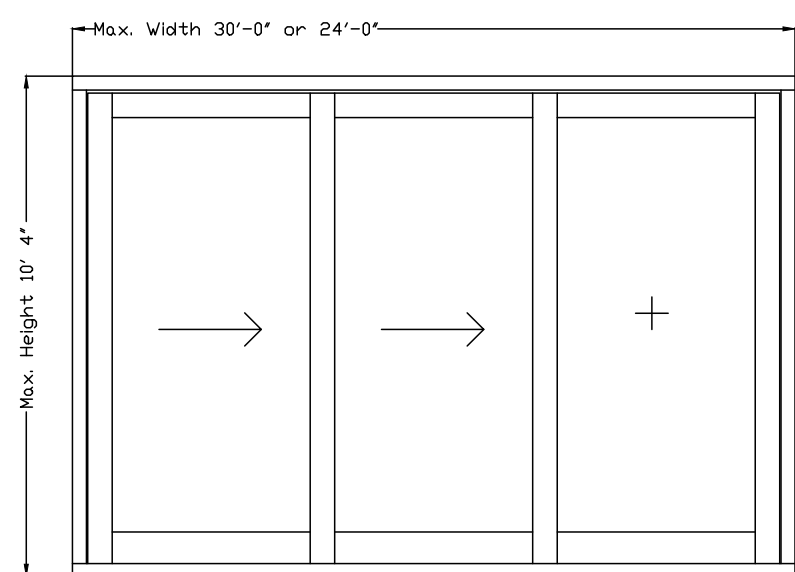
Project number  
Date MAY 2024  
Drawn by  
Checked by  
**A102**  
Scale AS INDICATED

# New Generation Lift-Slide Doors Over 98" Tall

## ELEVATIONS



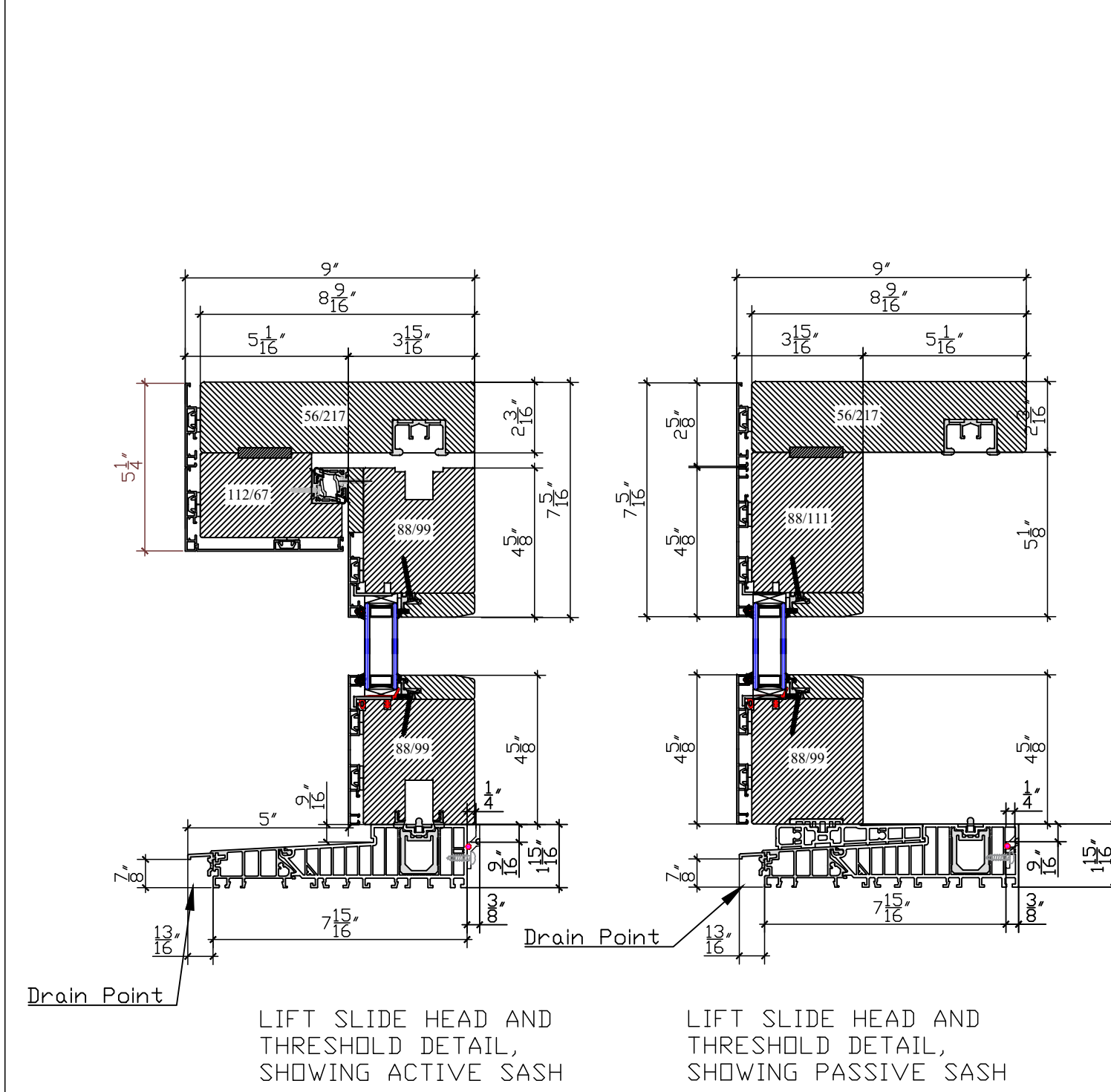
**A** ELEVATIONS - LIFT-SLIDE DOORS  
3/8" = 1'-0"



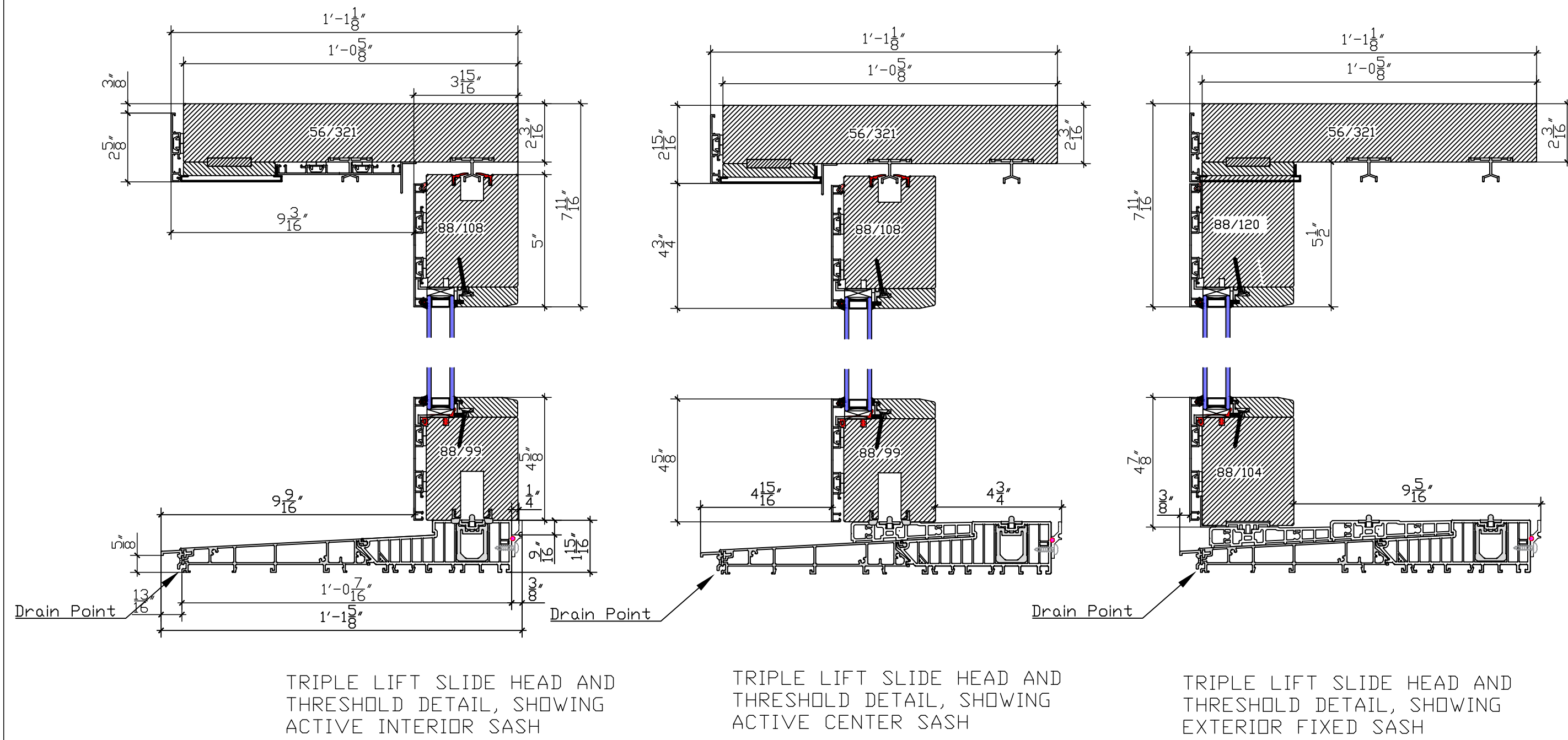
\*note: each panel can be a maximum of 10'x8' either orientation

**B** ELEVATIONS - TRIPLE LIFT-SLIDE DOORS  
3/8" = 1'-0"

## DETAILS

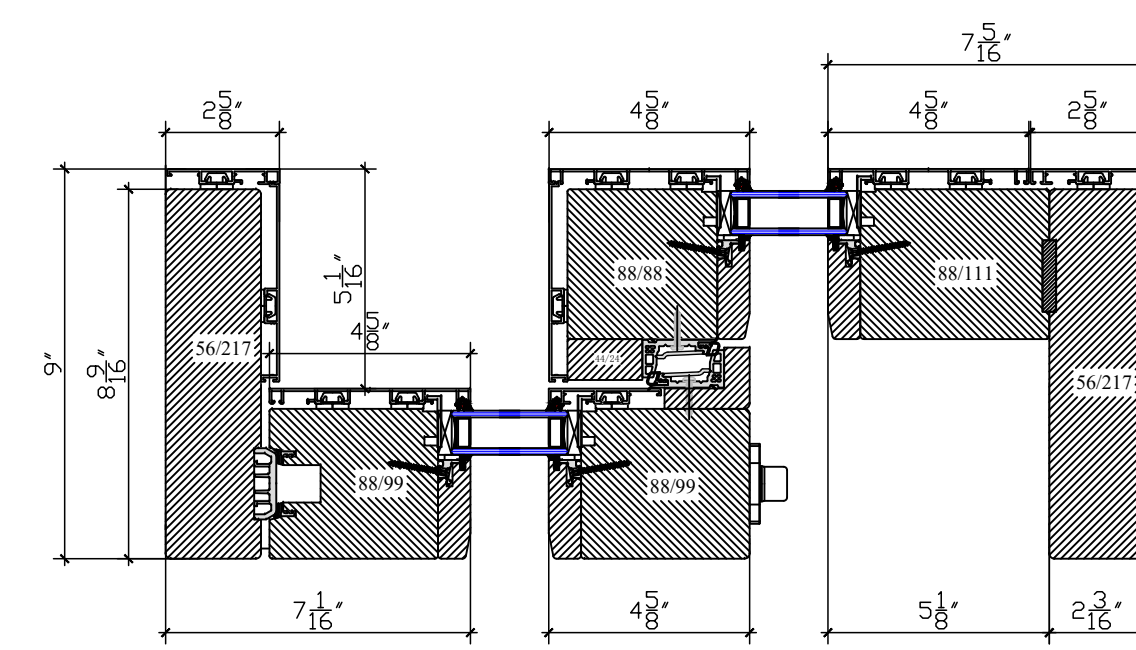
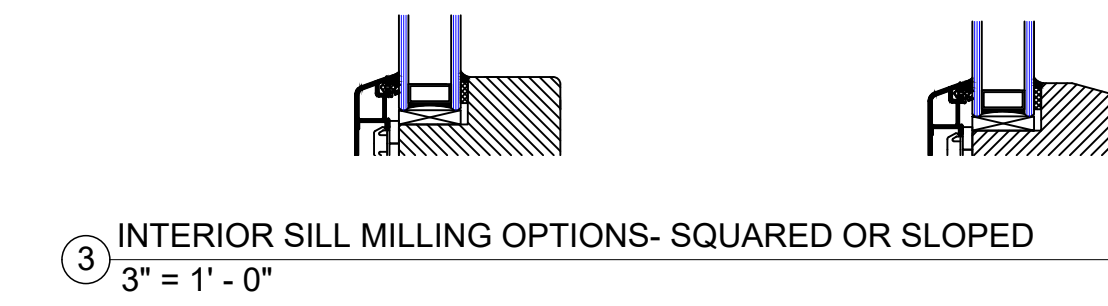


**1** NEW GENERATION LIFT-SLIDE DOOR DETAIL (QUADRAT CLADDING ONLY)  
3" = 1'-0"

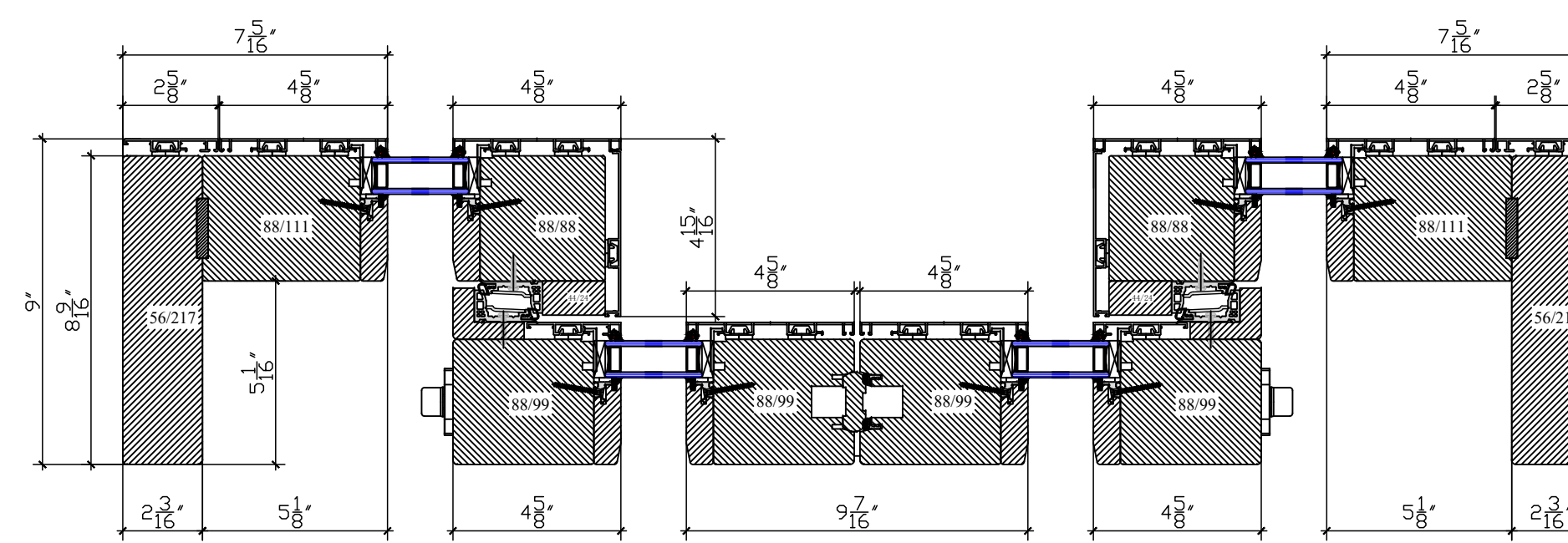


**2** NEW GENERATION TRIPLE LIFT-SLIDE DOOR DETAIL (QUADRAT CLADDING ONLY)  
3" = 1'-0"

## OPTIONS



XD LIFT SLIDE PLAN SECTION



TRIPLE LIFT SLIDE PLAN SECTION



WWW.ZOLAWINDOWS.COM  
(303) 578-0001

NOTE: DETAILS PROVIDED FOR EXPLANATION ONLY. ARCHITECT AND ENGINEER OF RECORD TO DEVELOP PROJECT SPECIFIC DETAILS. ZOLA RESERVES RIGHTS TO MAKE TECHNICAL CHANGES AND UPDATES WHICH MAY NOT BE REFLECTED IN DRAWINGS

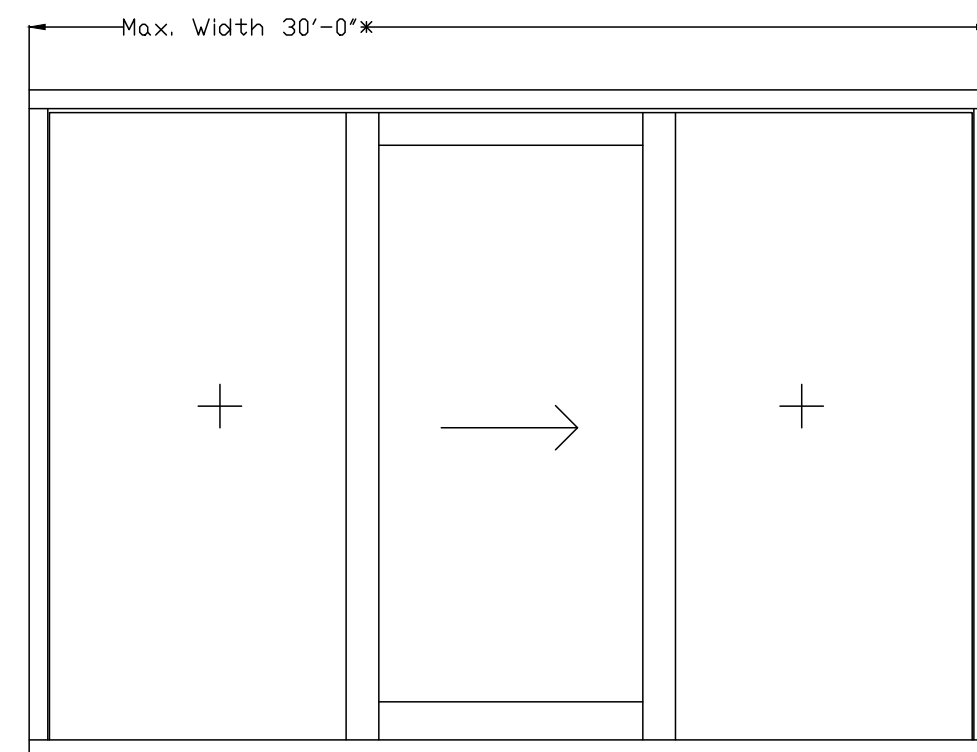
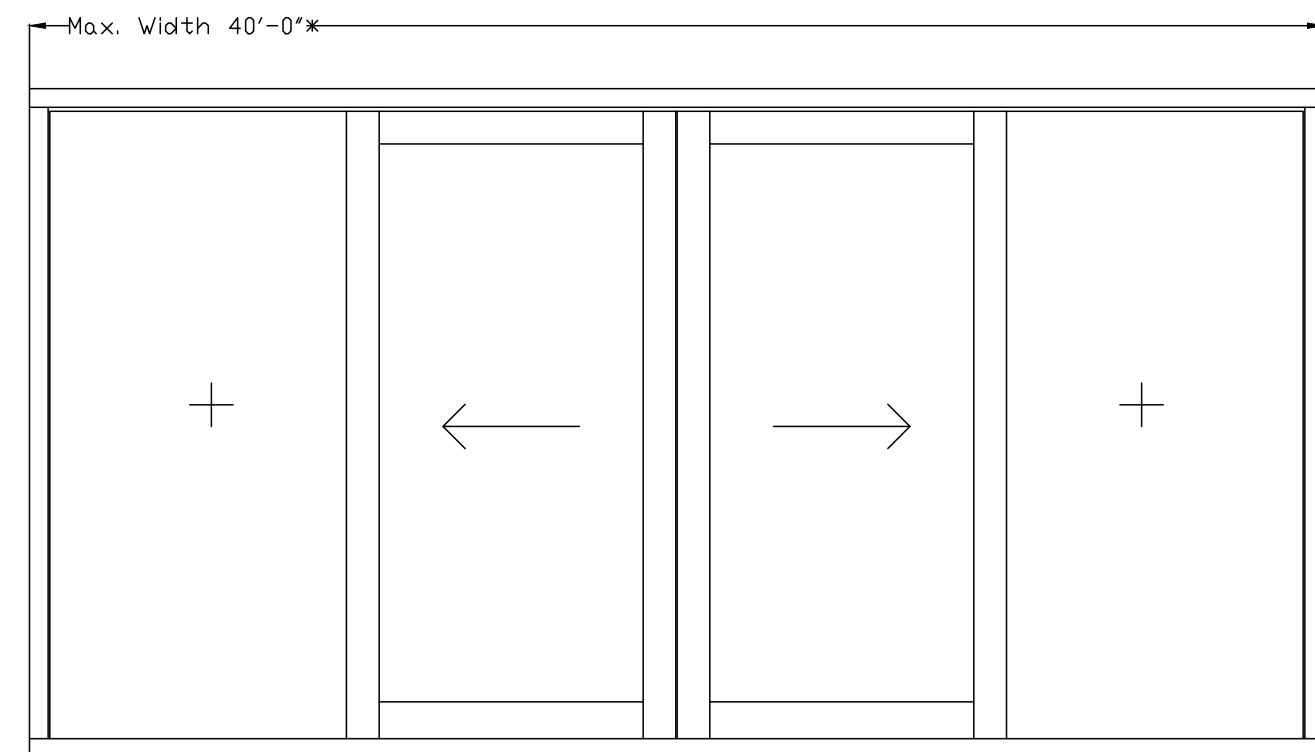
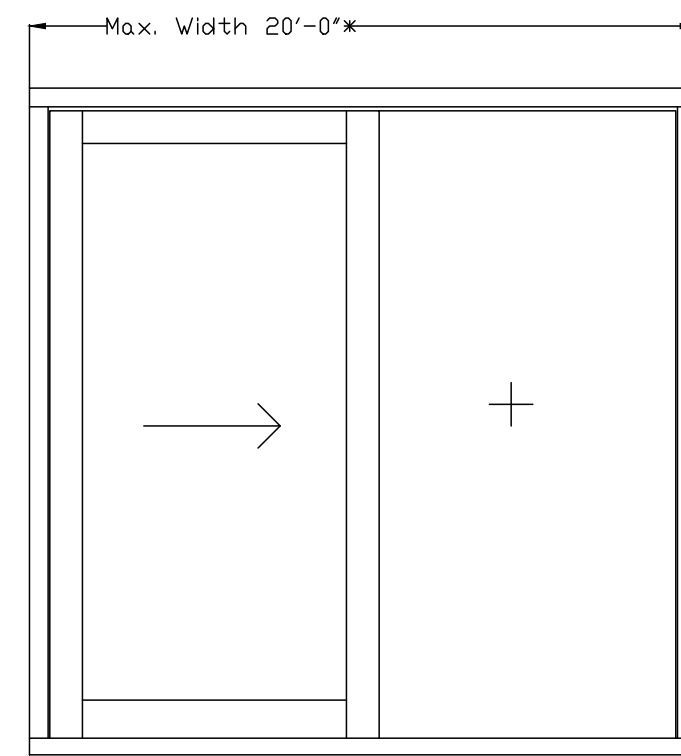
No.	Description	Date

### CLASSIC CLAD DOOR DETAILS NEW GENERATION LIFT SLIDE

Project number	
Date	MAY 2024
Drawn by	
Checked by	
<b>A103</b>	
Scale	AS INDICATED

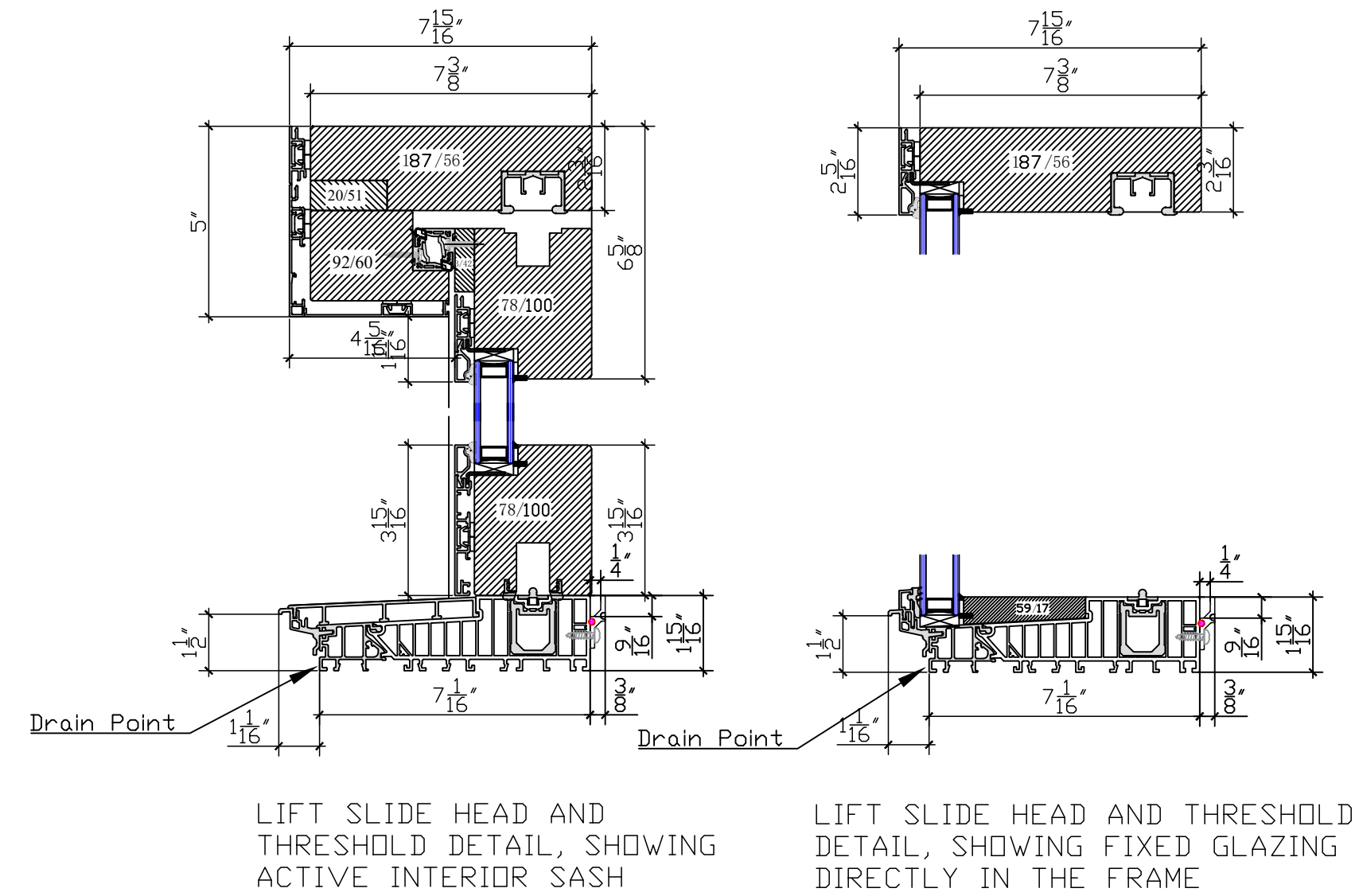
# Panoramic View New Generation Lift-Slide Doors

## ELEVATIONS

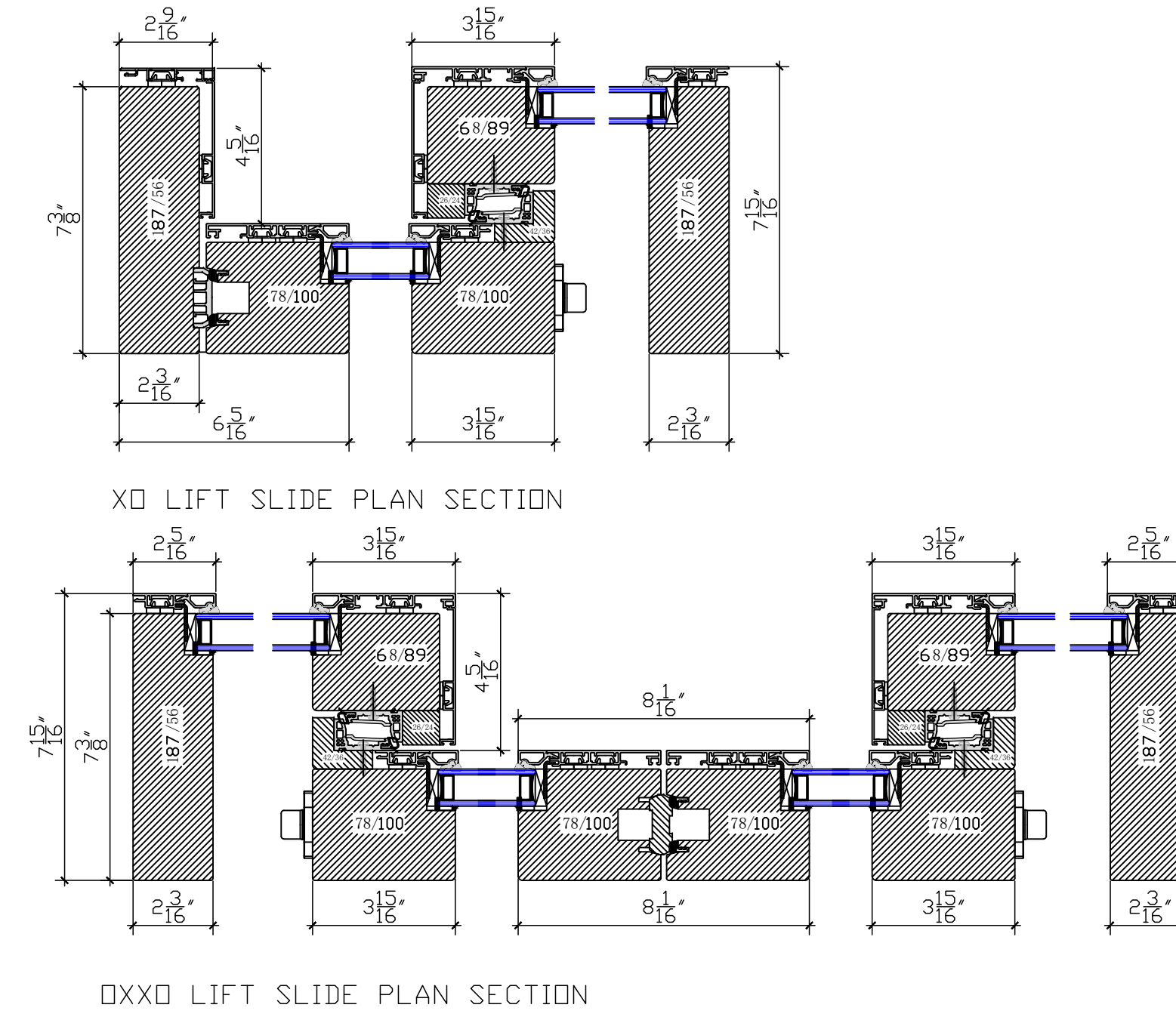


① ELEVATIONS - PANORAMIC VIEW LIFT-SLIDE DOORS  
1/2" = 1'-0"

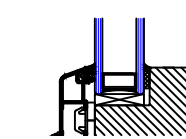
## DETAILS



① NEW GENERATION PANORAMIC VIEW LIFT-SLIDE DOOR DETAIL (QUADRAT CLADDING ONLY)  
3" = 1'-0"



## OPTIONS



② INTERIOR SILL MILLING ONLY AVAILABLE IN SQUARED  
3" = 1'-0"



European Windows

WWW.ZOLAWINDOWS.COM  
(303) 578-0001

NOTE: DETAILS PROVIDED FOR EXPLANATION ONLY. ARCHITECT AND ENGINEER OF RECORD TO DEVELOP PROJECT SPECIFIC DETAILS. ZOLA RESERVES RIGHTS TO MAKE TECHNICAL CHANGES AND UPDATES WHICH MAY NOT BE REFLECTED IN DRAWINGS

No.	Description	Date

CLASSIC CLAD  
DOOR DETAILS

PANORAMIC VIEW  
NEW GEN LIFT SLIDE

Project number

Date MAY 2024

Drawn by

Checked by

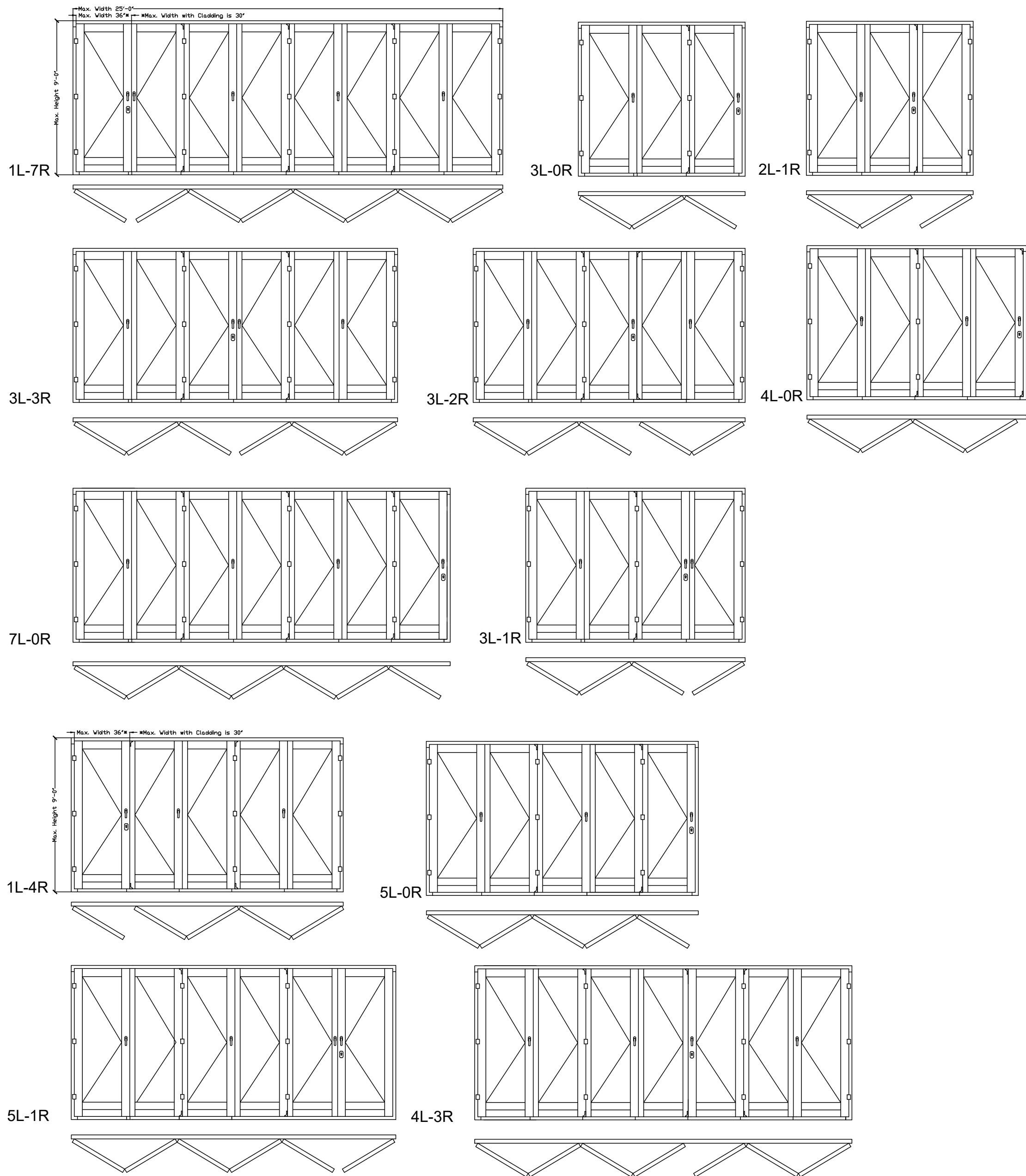
A104

Scale AS INDICATED

Customized installation details by project architect or waterproofing consultant are required for a successful installation.

# Breeze Panel Doors

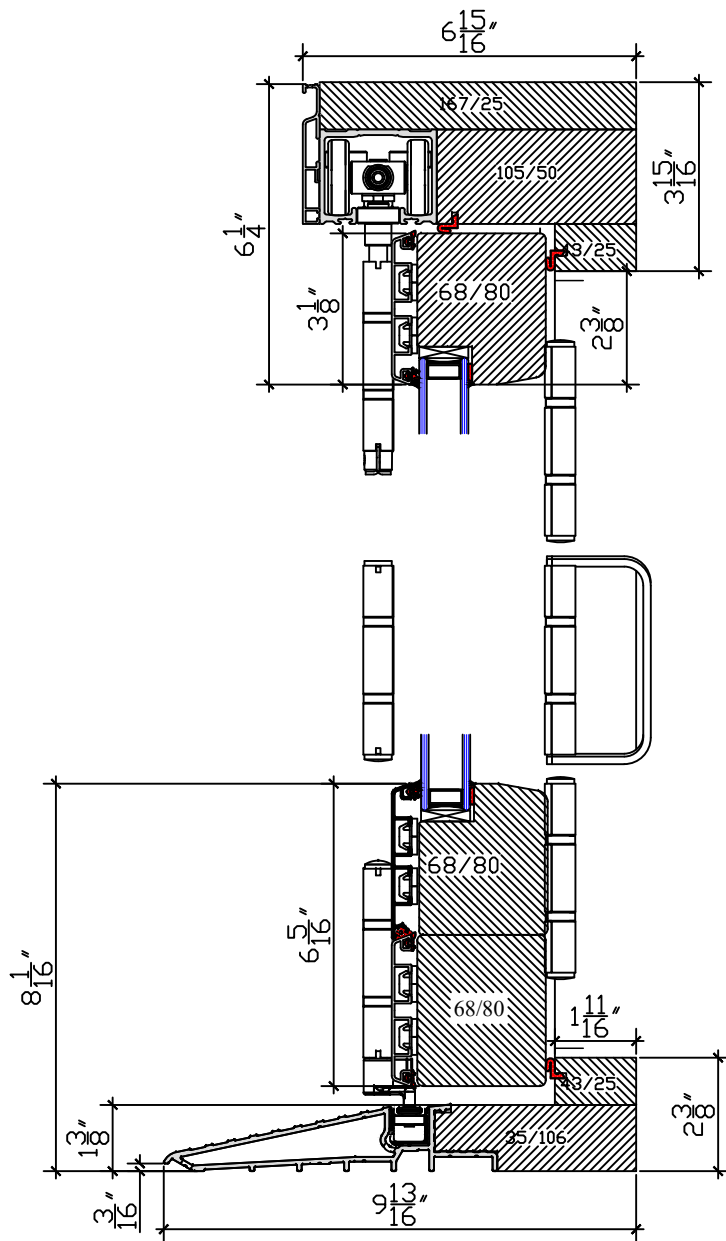
## ELEVATIONS



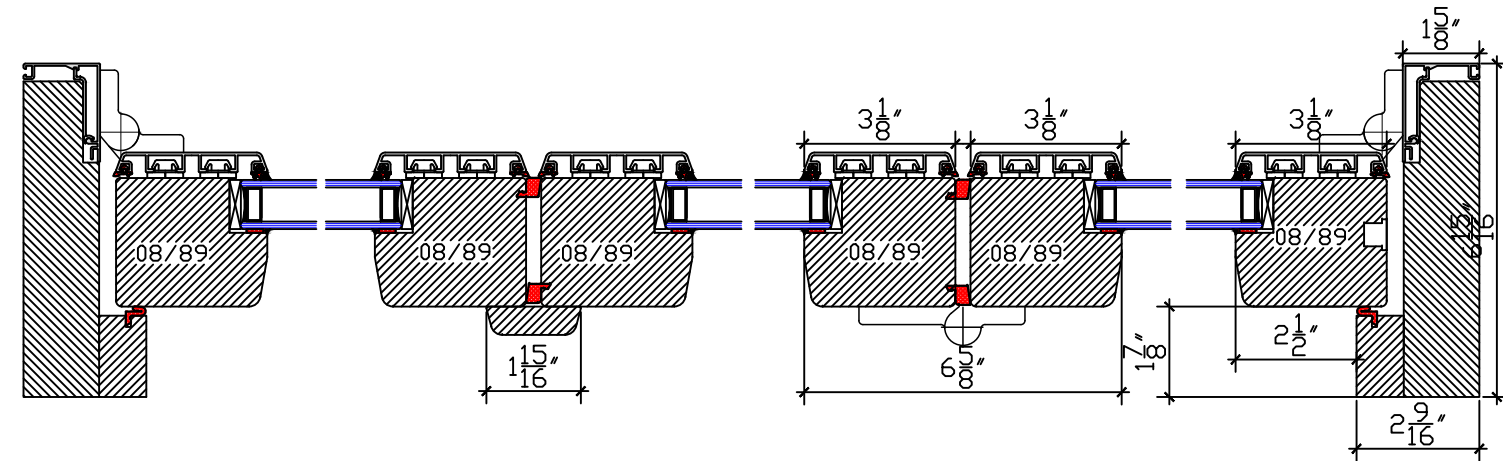
(A) ELEVATIONS - BREEZE PANEL DOORS  
1/4" = 1'-0"

\*Requires Zola Windows Technician Visit for optimal installation. Refer to Breeze Panel Installation Guide. Breeze panel units require ongoing adjustments for the lifetime of the unit. Zola Windows Technicians provide initial training and are available for paid tech visits for ongoing adjustments.

## DETAILS



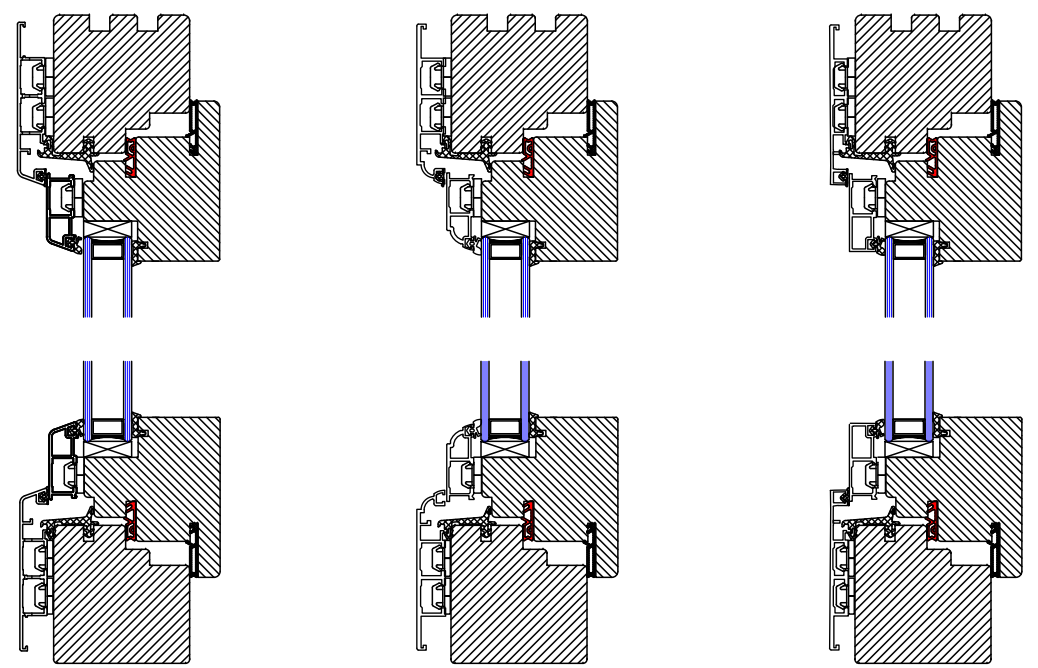
OUTSWING - SECTION VIEW



OUTSWING - PLAN VIEW (2L-1R)

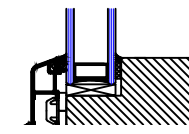
1 STANDARD OUTSWING BREEZEPANEL DETAILS  
3" = 1'-0"

## OPTIONS



Classic Heritage Quadrat

2 CLADDING STYLE OPTIONS - SHOWN ON WINDOW DETAIL  
3" = 1'-0"



3 INTERIOR SILL MILLING ONLY AVAILABLE IN SQUARED  
3" = 1'-0"



European Windows

WWW.ZOLAWINDOWS.COM  
(303) 578-0001

NOTE: DETAILS PROVIDED FOR EXPLANATION ONLY. ARCHITECT AND ENGINEER OF RECORD TO DEVELOP PROJECT SPECIFIC DETAILS. ZOLA RESERVES RIGHTS TO MAKE TECHNICAL CHANGES AND UPDATES WHICH MAY NOT BE REFLECTED IN DRAWINGS

No.	Description	Date

CLASSIC CLAD  
DOOR DETAILS

BREEZE PANELS

Project number  
Date MAY 2024  
Drawn by  
Checked by

A105

Scale AS INDICATED