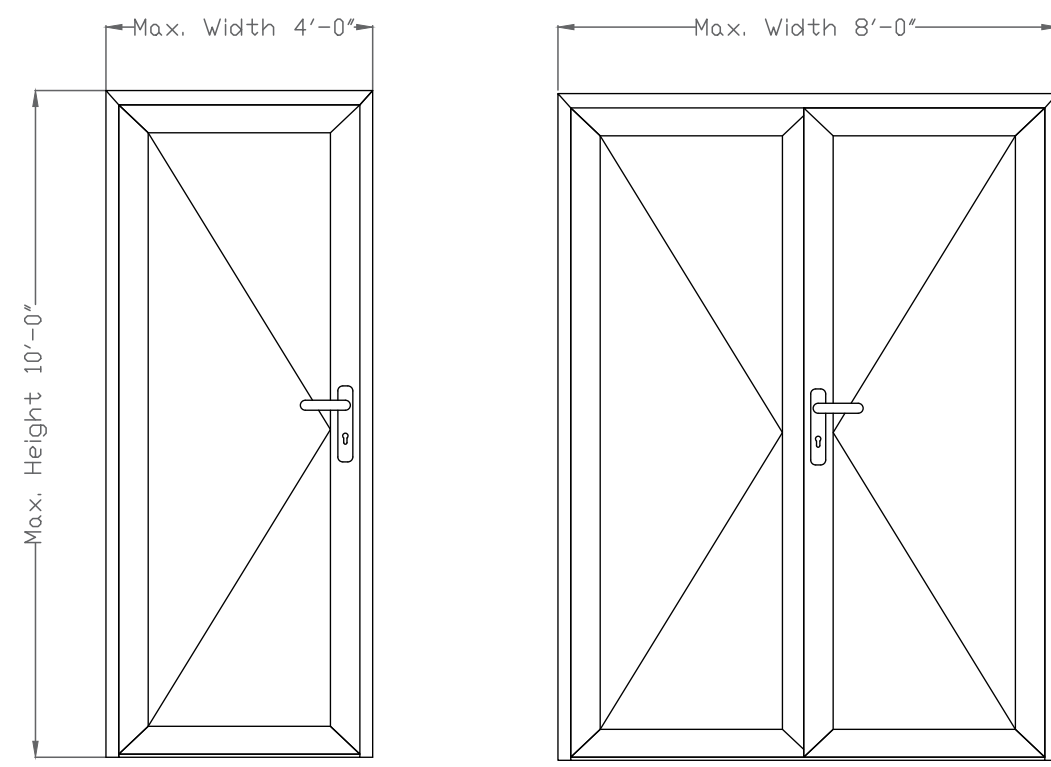


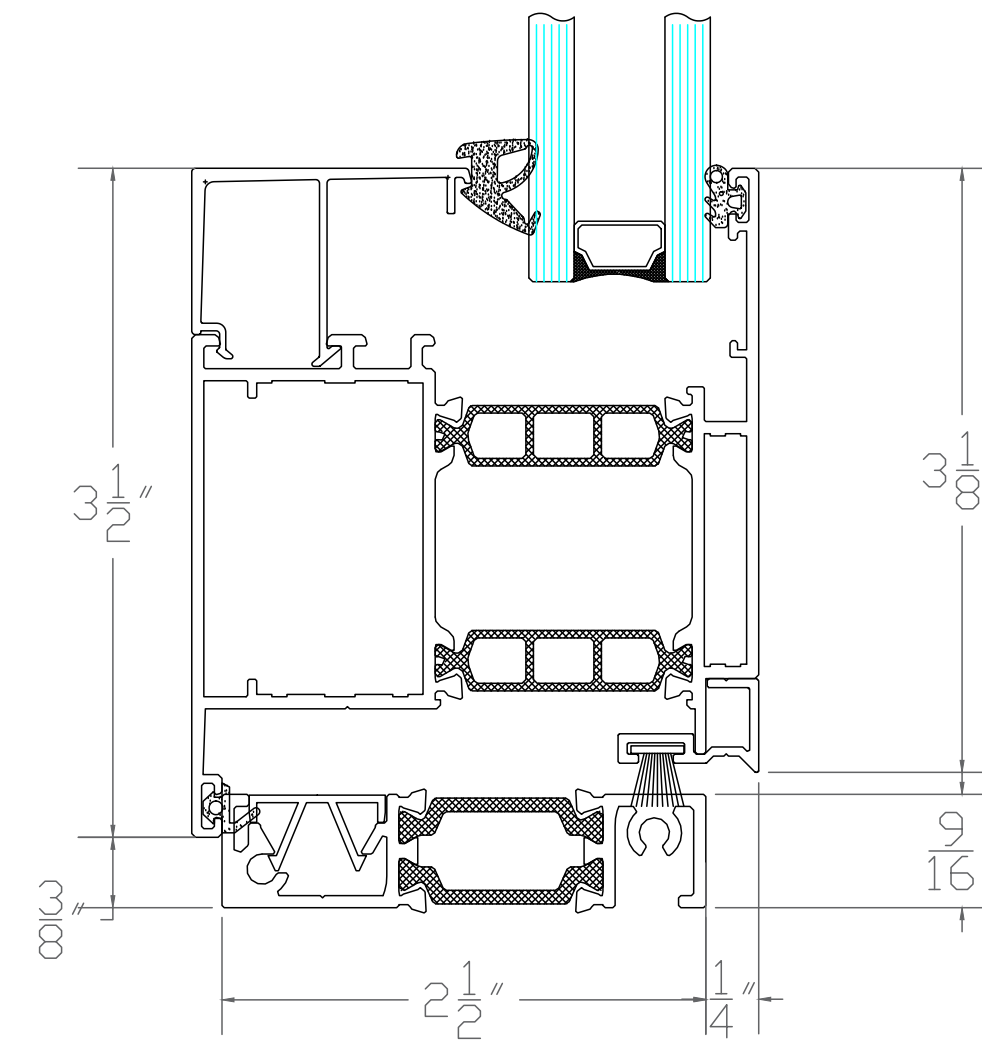
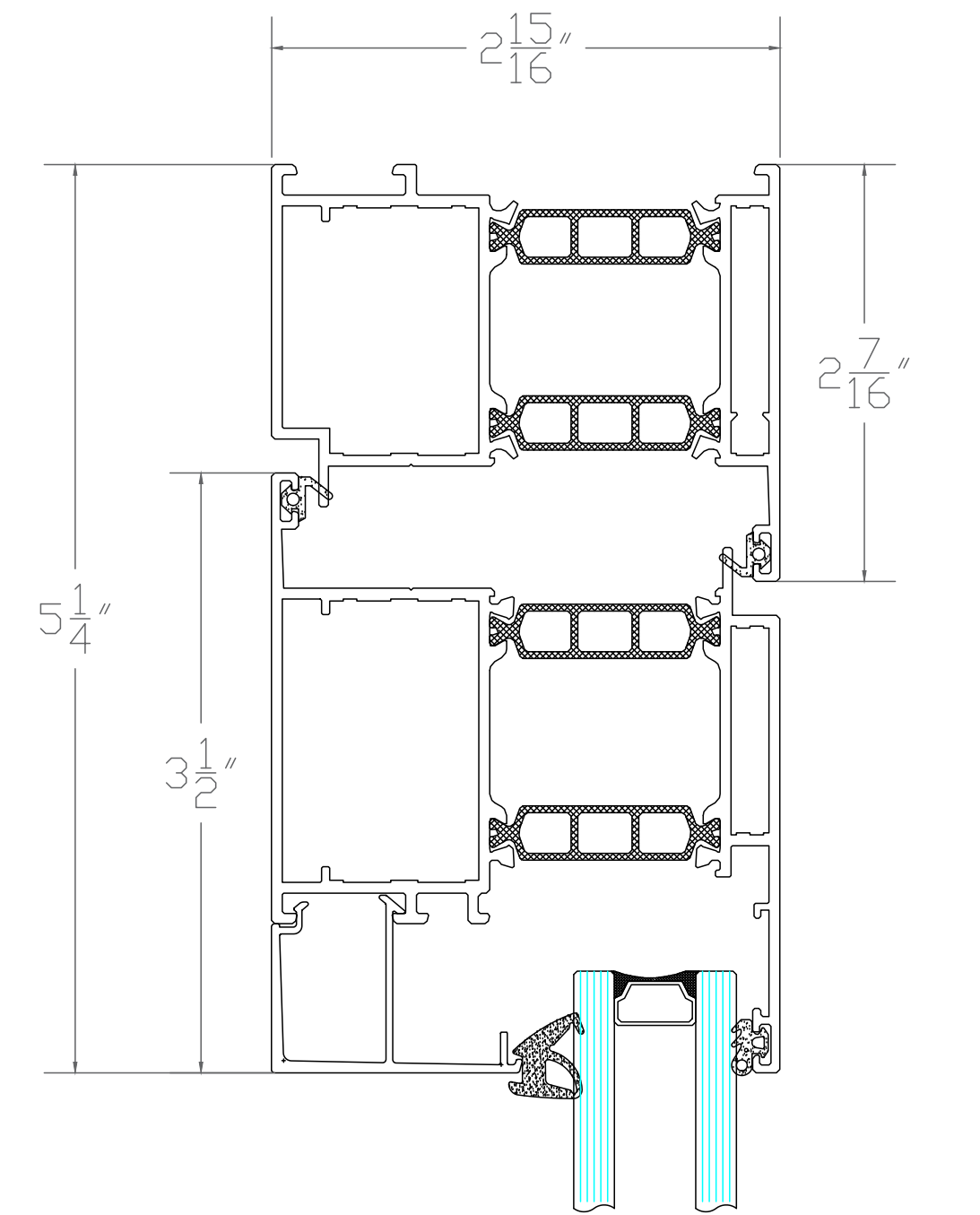
Swing Doors

ELEVATIONS

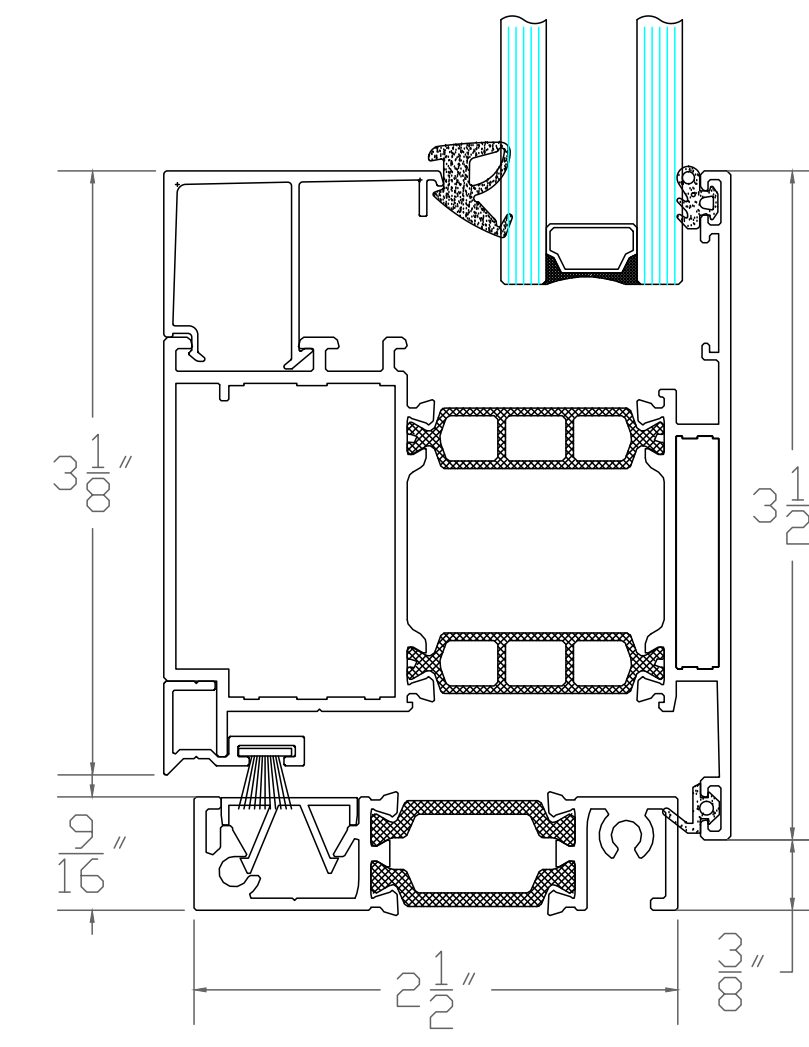
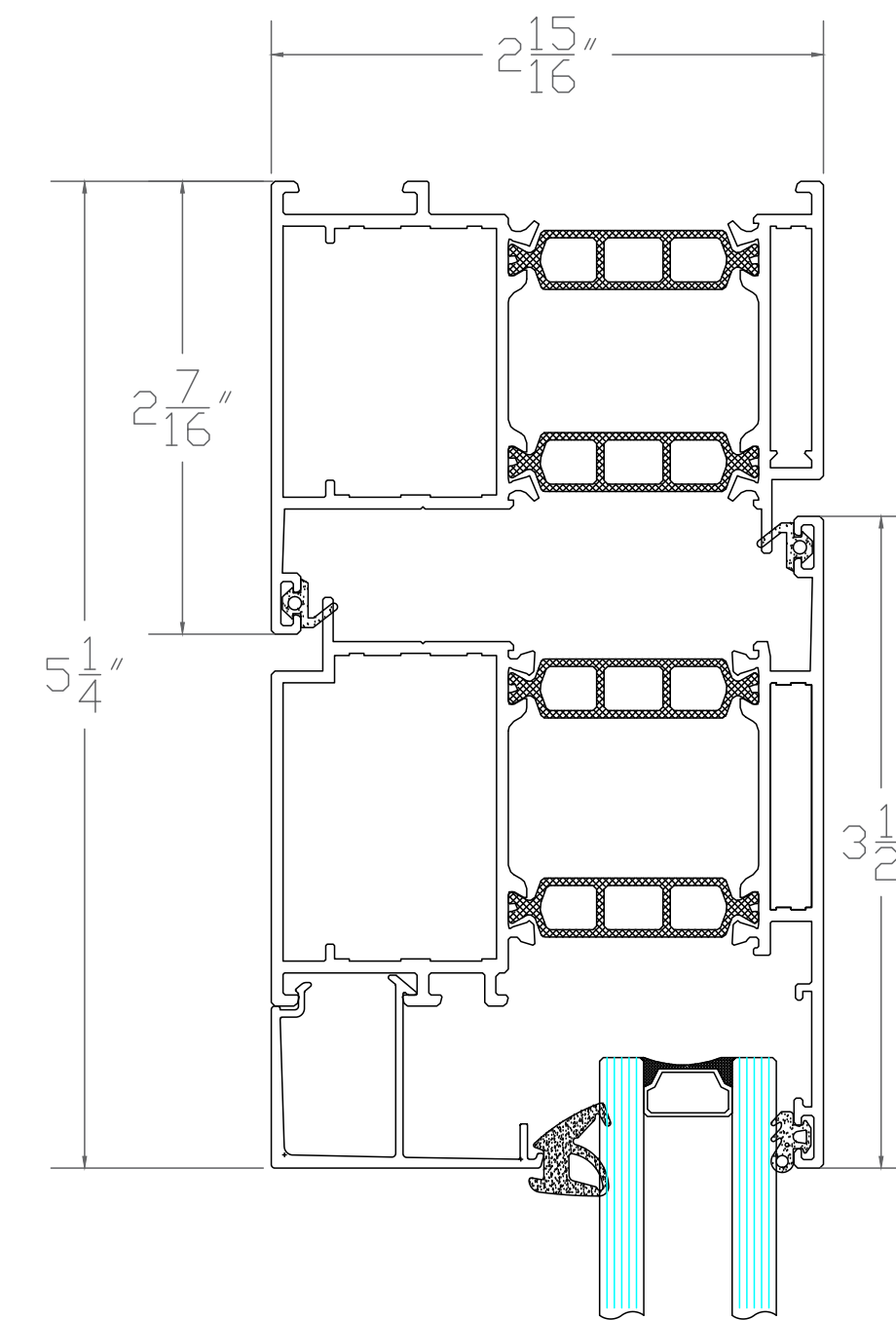


A ELEVATIONS - ENTRY DOORS
1/2" = 1'-0"

DETAILS



1 STANDARD INSWING DOOR
1" = 1'-0"



2 STANDARD OUTSWING DOOR
1" = 1'-0"

NOTE: DETAILS PROVIDED FOR EXPLANATION ONLY.
ARCHITECT AND ENGINEER OF RECORD TO
DEVELOP PROJECT SPECIFIC DETAILS.
ZOLA RESERVES RIGHTS TO MAKE TECHNICAL
CHANGES AND UPDATES WHICH MAY NOT BE
REFLECTED IN DRAWINGS

No.	Description	Date

CLASSIC ALU75 DOOR DETAILS

SWING DOORS

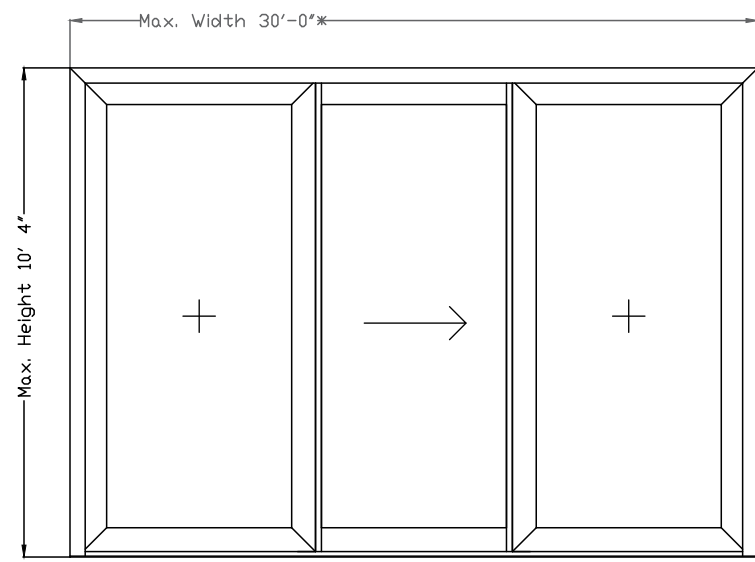
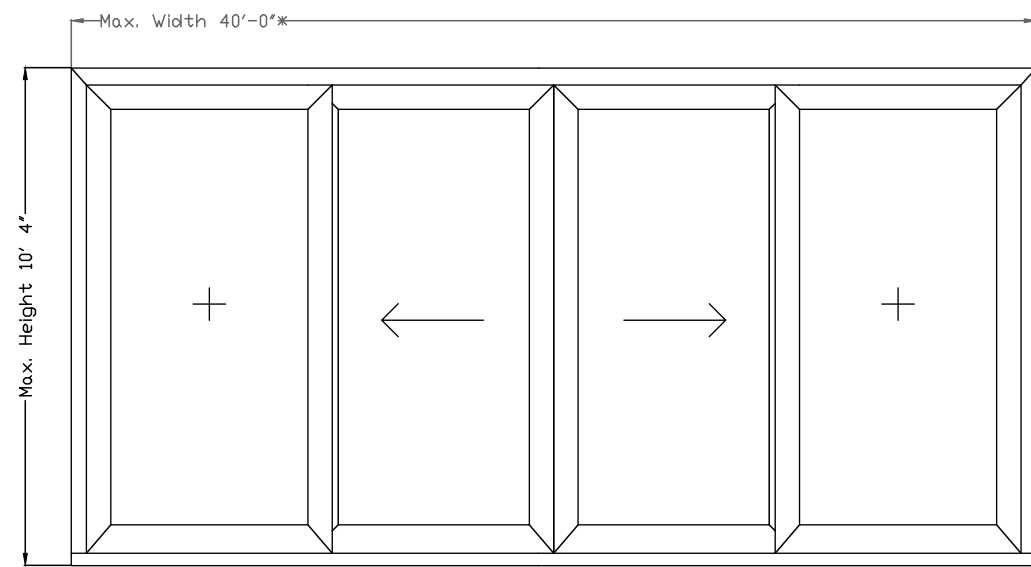
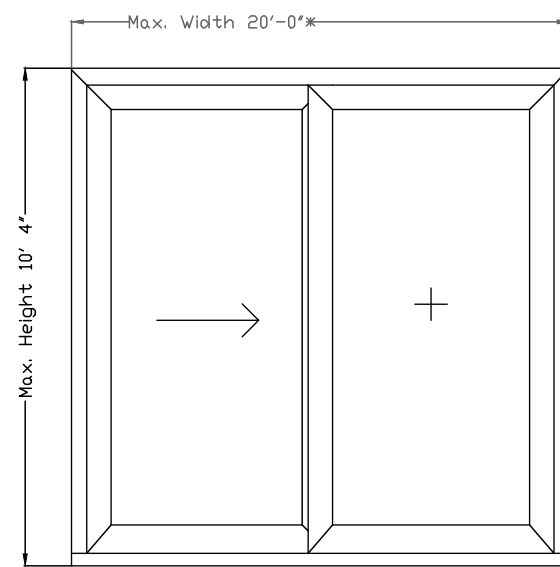
Project number
Date OCTOBER 2024
Drawn by
Checked by

A101

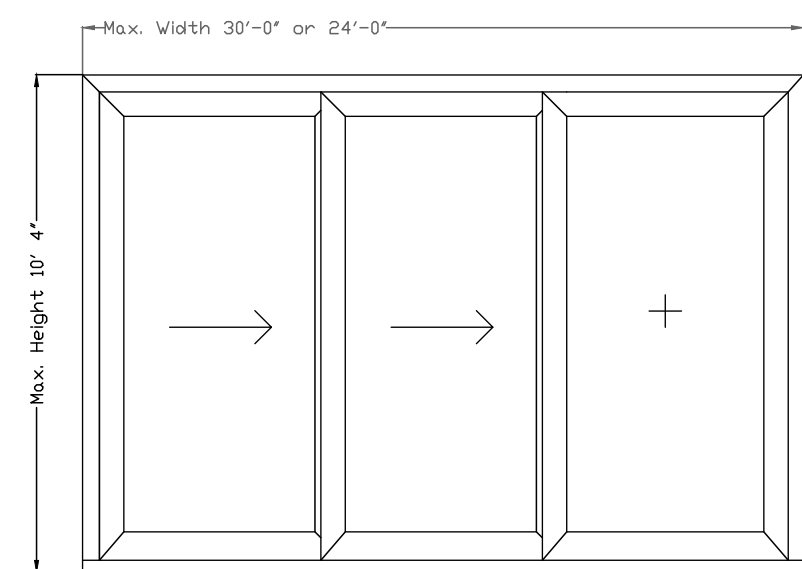
Scale As indicated

Lift Slide Doors

ELEVATIONS



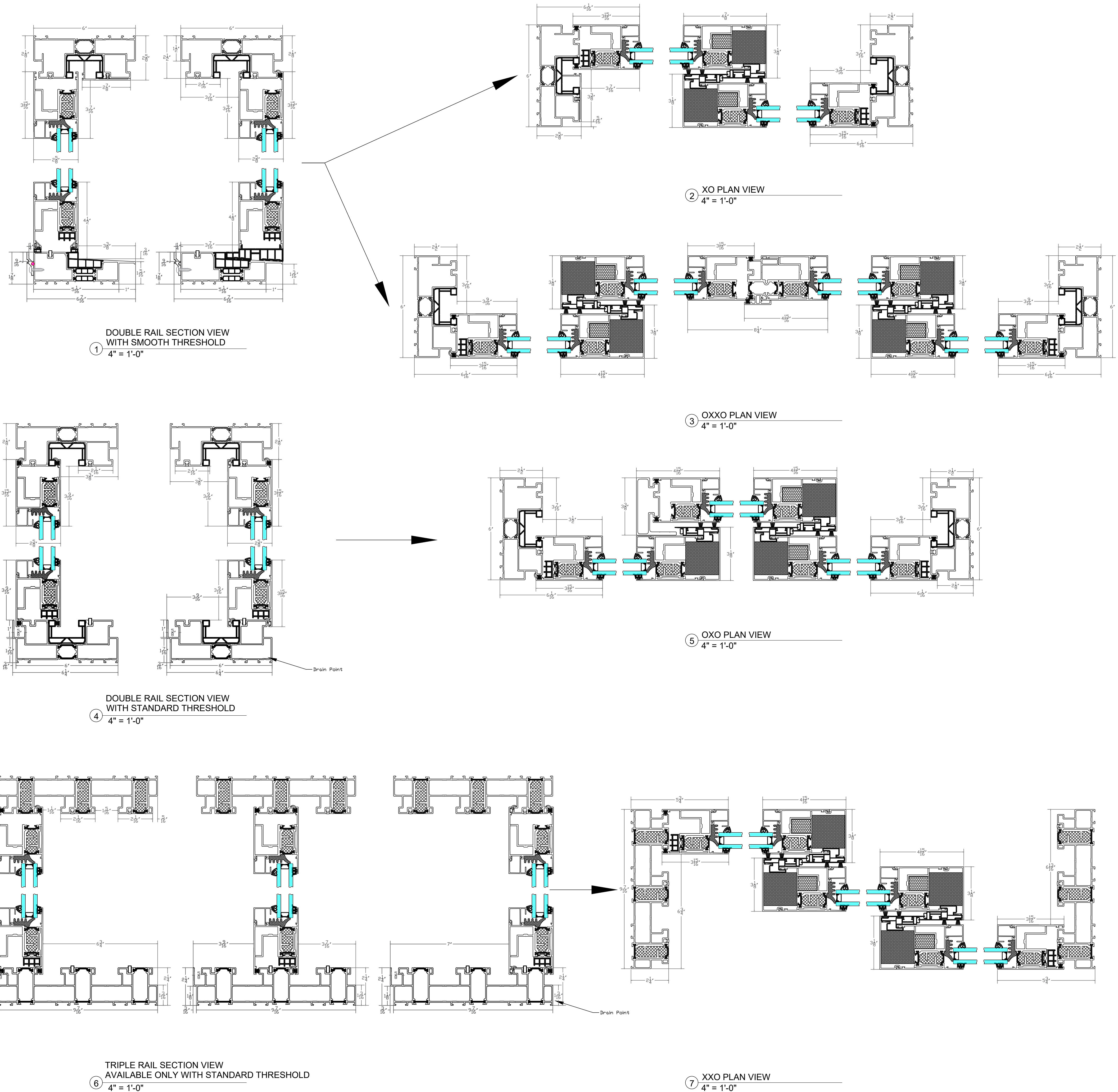
A ELEVATIONS - 2 RAIL LIFT SLIDES
3/8" = 1'-0"



*Note: each panel can be a maximum of 10'x8' either orientation

B ELEVATIONS - 3 RAIL LIFT SLIDES
3/8" = 1'-0"

DETAILS



NOTE: DETAILS PROVIDED FOR EXPLANATION ONLY.
ARCHITECT AND ENGINEER OF RECORD TO
DEVELOP PROJECT SPECIFIC DETAILS.
ZOLA RESERVES RIGHTS TO MAKE TECHNICAL
CHANGES AND UPDATES WHICH MAY NOT BE
REFLECTED IN DRAWINGS

No.	Description	Date

CLASSIC ALU DOOR DETAILS LIFT SLIDE DOORS

Project number
Date: OCTOBER 2024
Drawn by
Checked by

A102

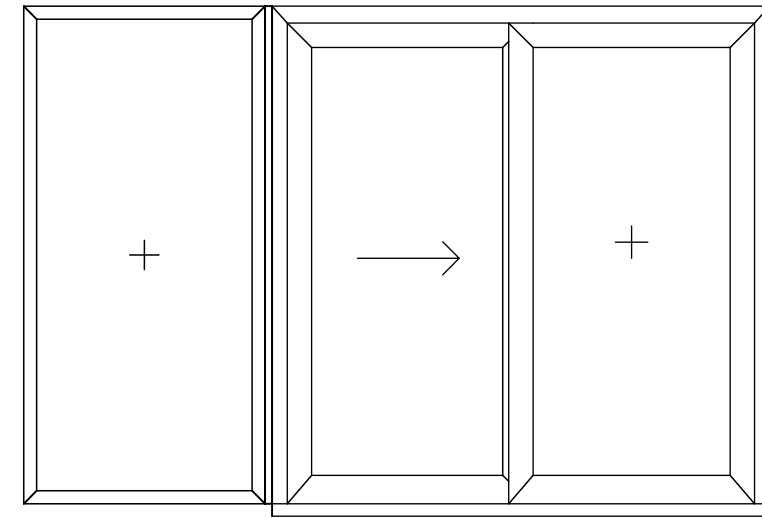
Scale: As indicated

Customized installation details by project architect or waterproofing consultant are required for a successful installation.

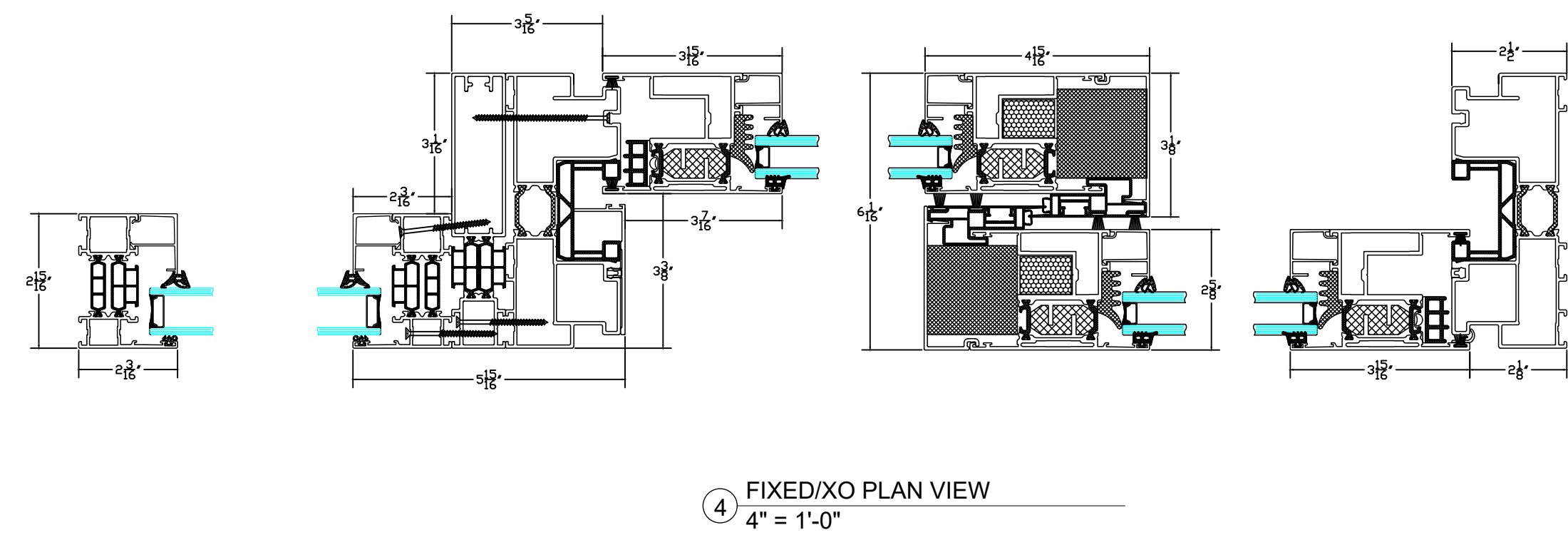
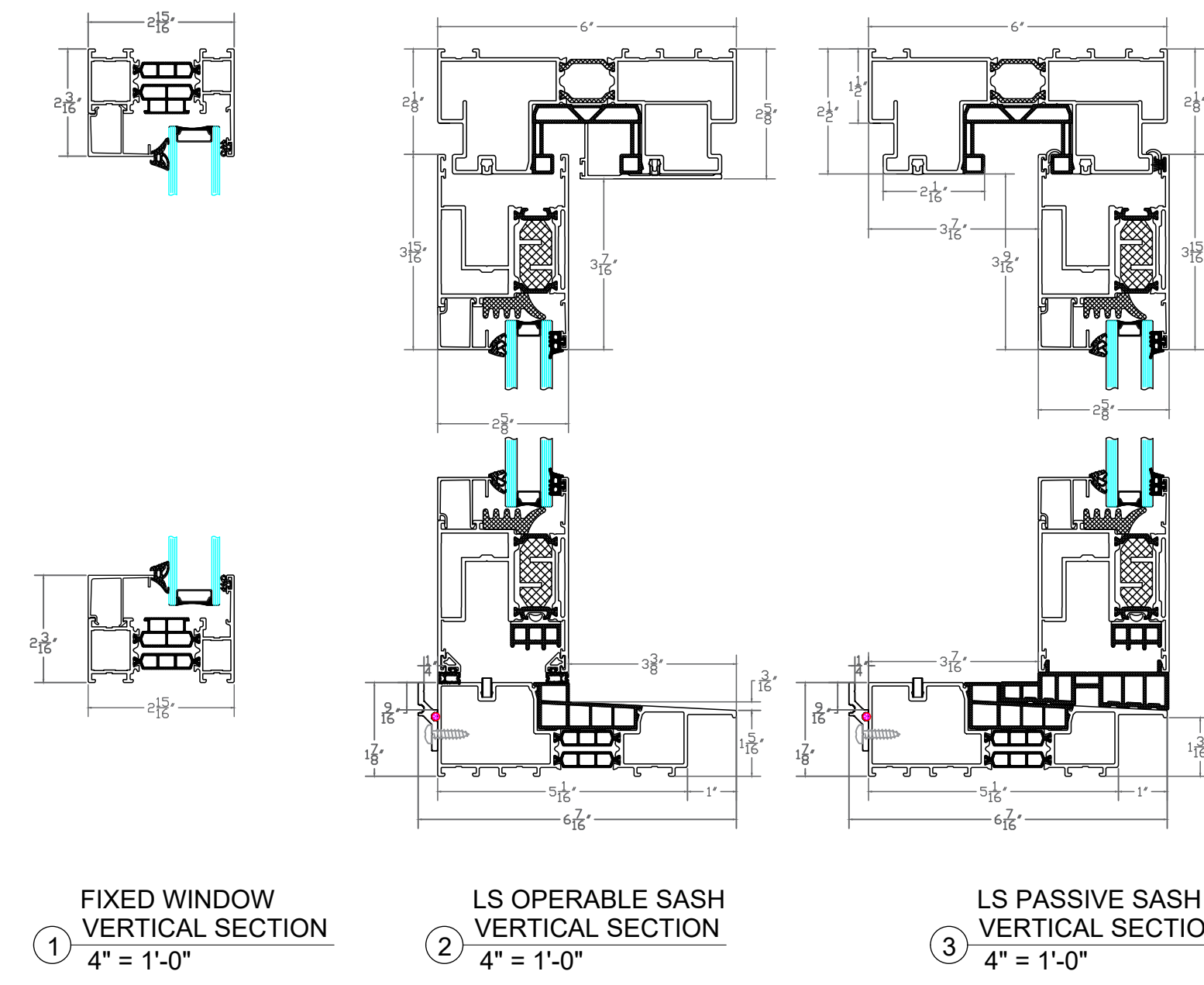
Lift Slide Door Mulled to Fixed Window

DETAILS

ELEVATION



A ELEVATION - 2 RAIL LIFT SLIDES MULLED TO FIXED WINDOW
3/8" = 1'-0"



NOTE: DETAILS PROVIDED FOR EXPLANATION ONLY.
ARCHITECT AND ENGINEER OF RECORD TO
DEVELOP PROJECT SPECIFIC DETAILS.
ZOLA RESERVES RIGHTS TO MAKE TECHNICAL
CHANGES AND UPDATES WHICH MAY NOT BE
REFLECTED IN DRAWINGS

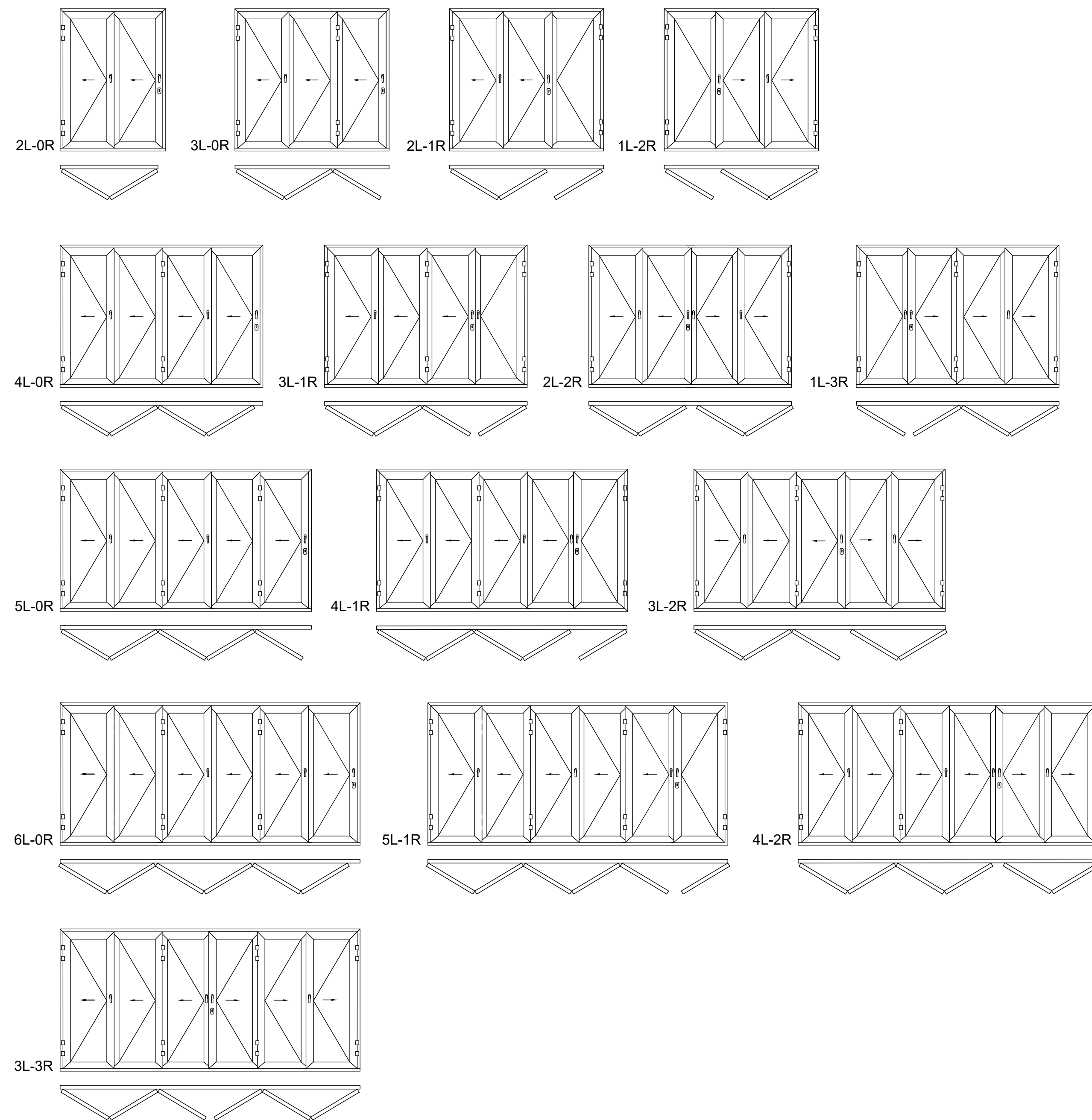
No.	Description	Date

CLASSIC ALU DOOR DETAILS LIFT SLIDE DOORS

Project number	
Date	OCTOBER 2024
Drawn by	
Checked by	
	A103
Scale	As indicated

Breeze Panel Doors

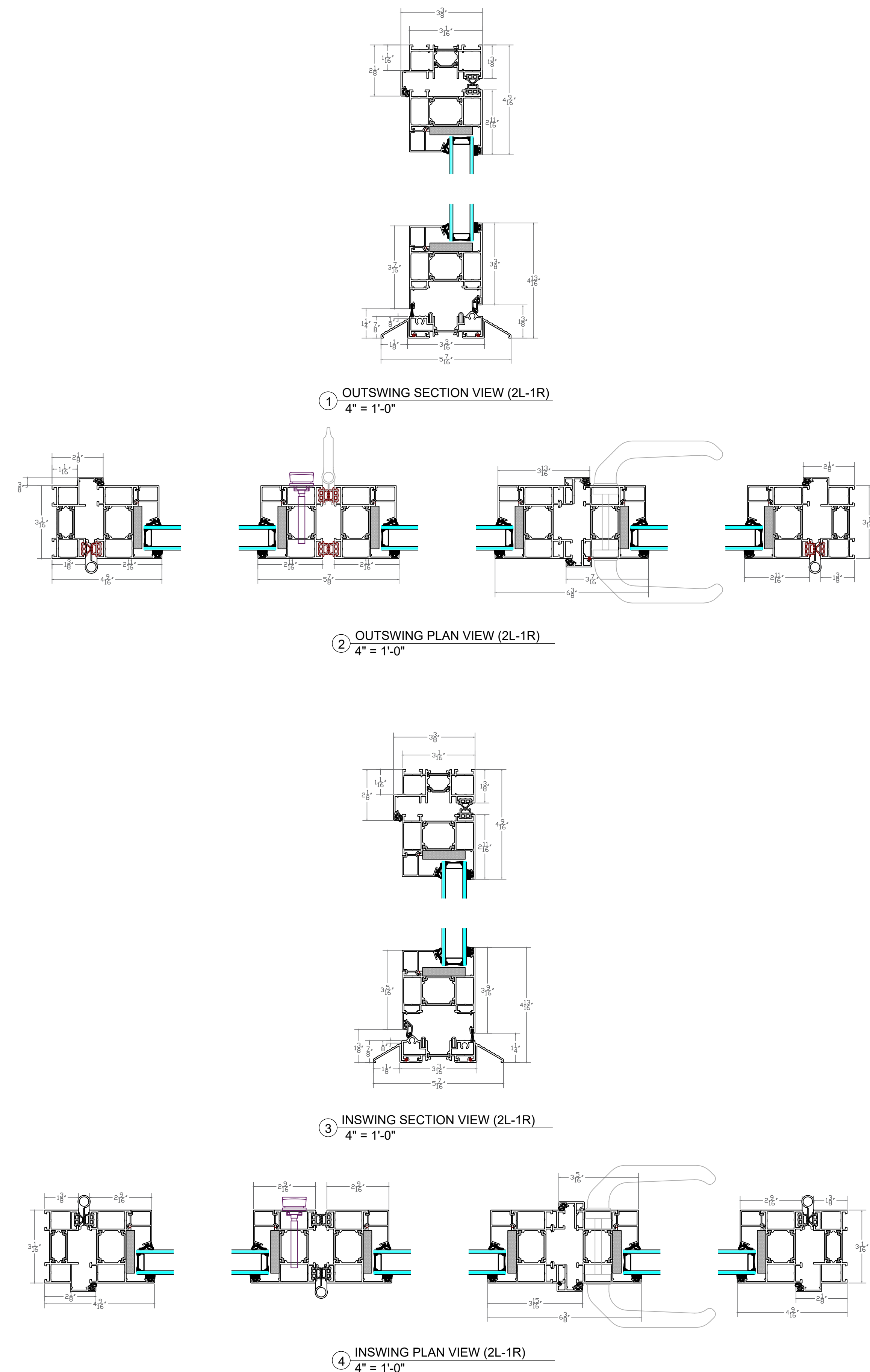
ELEVATIONS



ELEVATIONS - BREEZE PANEL CONFIGURATIONS
 *SHOWN AS OUTSWING; INSWING AVAILABLE AS WELL IN ALL CONFIGURATIONS
 A 1/4" = 1'-0"

*Requires Zola Windows Technician Visit for optimal installation. Refer to Breeze Panel Installation Guide. Breeze panel units require ongoing adjustments for the lifetime of the unit. Zola Windows Technicians provide initial training and are available for paid tech visits for ongoing adjustments.

DETAILS



NOTE: DETAILS PROVIDED FOR EXPLANATION ONLY. ARCHITECT AND ENGINEER OF RECORD TO DEVELOP PROJECT SPECIFIC DETAILS. ZOLA RESERVES RIGHTS TO MAKE TECHNICAL CHANGES AND UPDATES WHICH MAY NOT BE REFLECTED IN DRAWINGS

No.	Description	Date

CLASSIC ALU DOOR DETAILS	
BREEZE PANEL DOORS	
Project number	
Date	OCTOBER 2024
Drawn by	
Checked by	
A104	
Scale	As indicated