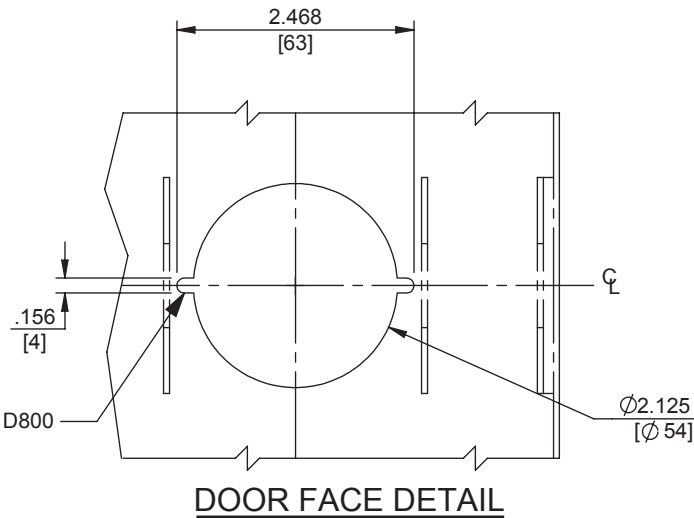
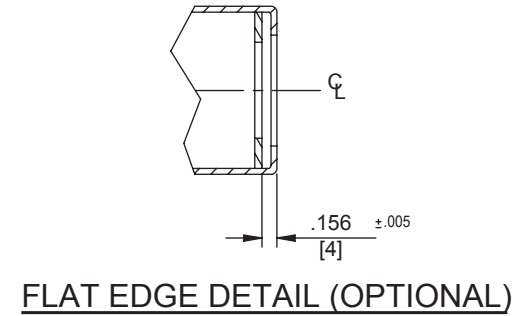
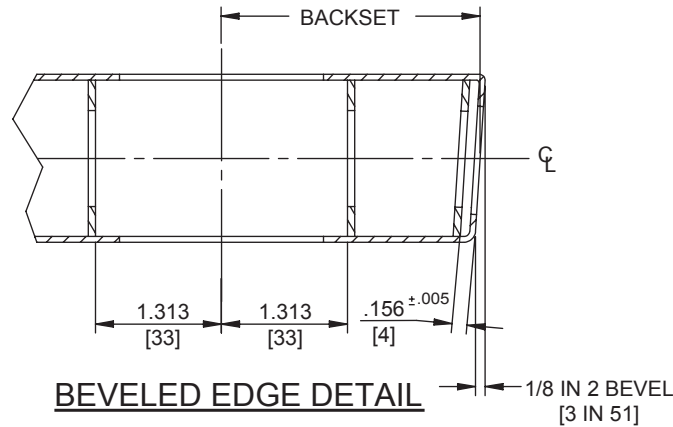
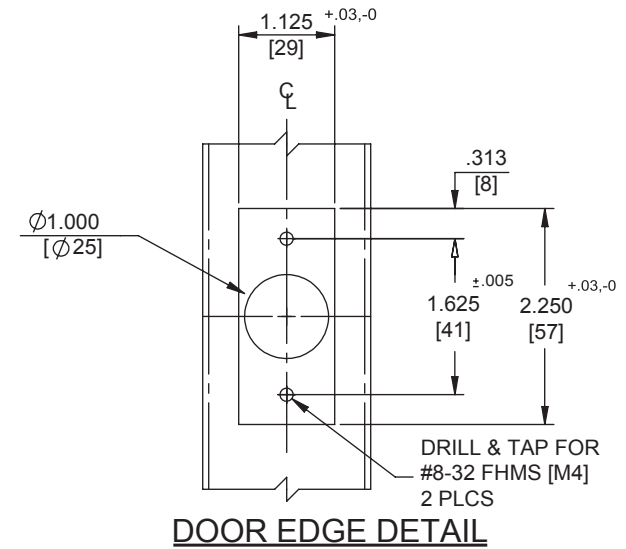


NOTES:

1. DIMENSIONS ARE IN INCHES/[MM]
2. DO NOT SCALE DRAWING.



NOTES:
NOTCHES ARE NOT
REQUIRED FOR DB600 & D800



NOT TO SCALE. MEASUREMENTS ARE FOR REFERENCE ONLY. NOT A DRILLING TEMPLATE.

METAL DOOR FOR:
DB100 SERIES
FACE PLATE 1-1/8" FLAT OR BEVELED