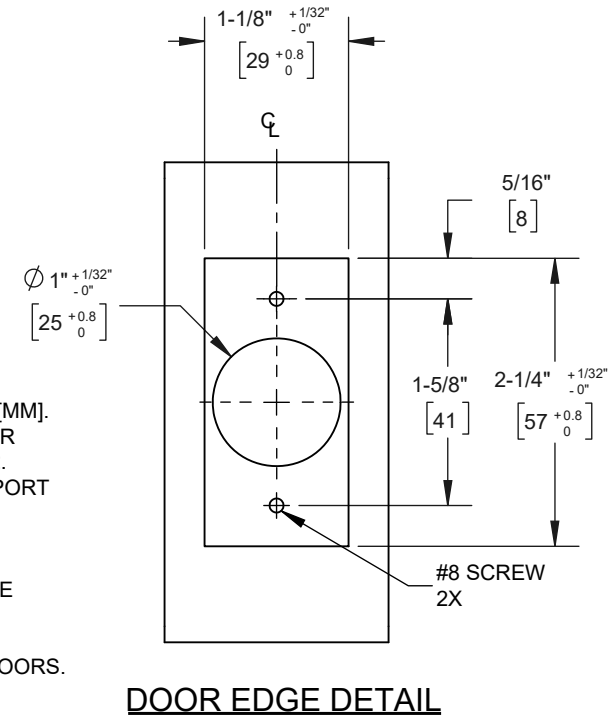


**NOTES:**

1. DRAWING IS NOT TO SCALE.
2. DIMENSIONS ARE IN INCHES/[MM].
3. ALLOW PLUS TOLERANCE FOR CLEARANCE PER ANSI A115.2.
4. LOCK AND LATCH CASE SUPPORT BY DOOR MANUFACTURER.
5. PLASTER GUARD BY DOOR MANUFACTURER.
6. FOR C200 ONLY, A 1" [25] FACE PLATE IS AVAILABLE.
7. FOR USE WITH 1-3/4" [44] - 2-1/4" [57] THICK DOORS.



NOT TO SCALE. MEASUREMENTS ARE FOR REFERENCE ONLY. NOT A DRILLING TEMPLATE.

WOOD DOOR FOR:  
C100, C200 SERIES WITH 3-3/4" BACKSET  
FACE PLATE 1-1/8" FLAT

