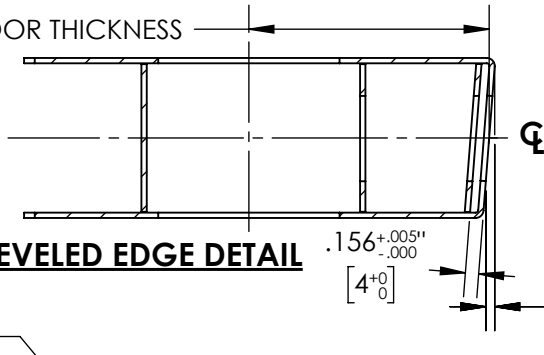


- NOTES:**
1. DRAWING IS NOT TO SCALE.
  2. DIMENSIONS ARE IN INCHES/[MM].

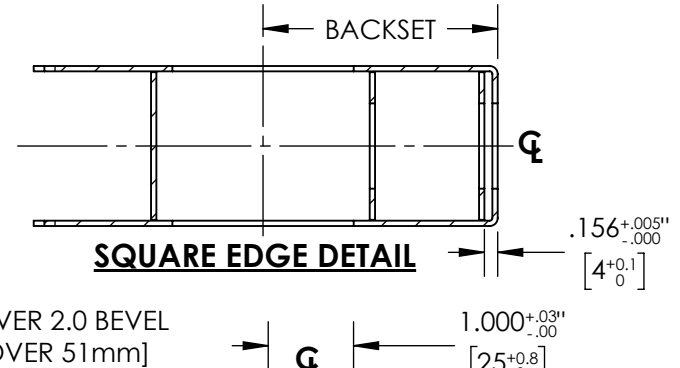
WOOD DOORS FOR:  
J310, J353 WITH 5-1/2" CENTERS  
FACE PLATE 1" FLAT OR BEVELED

BACKSET TO  $\phi$  OF DOOR THICKNESS

**BEVELED EDGE DETAIL**

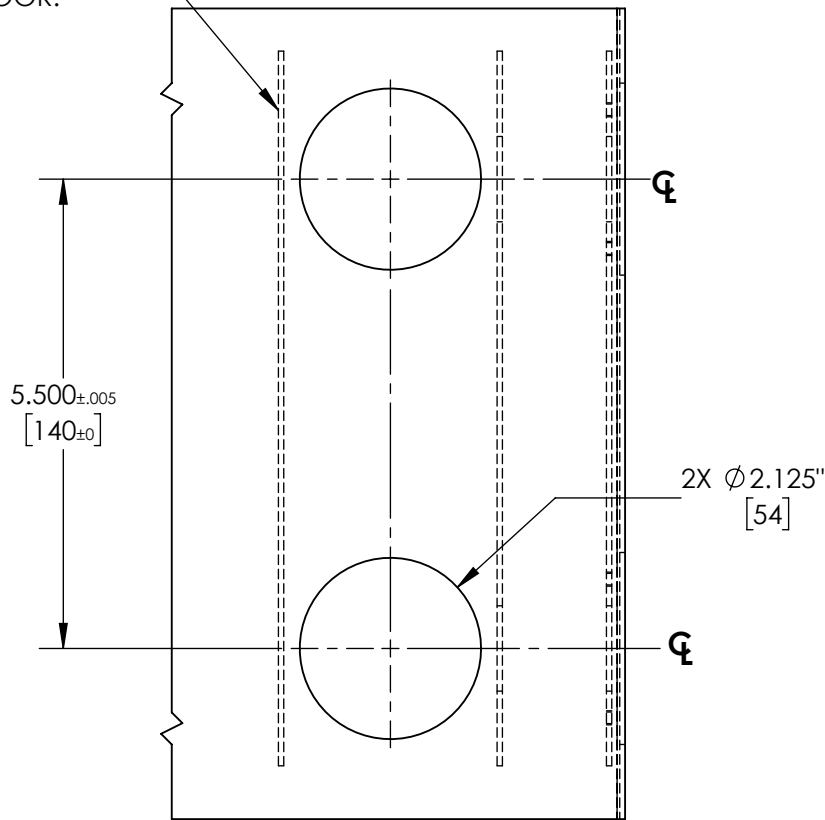


**SQUARE EDGE DETAIL**

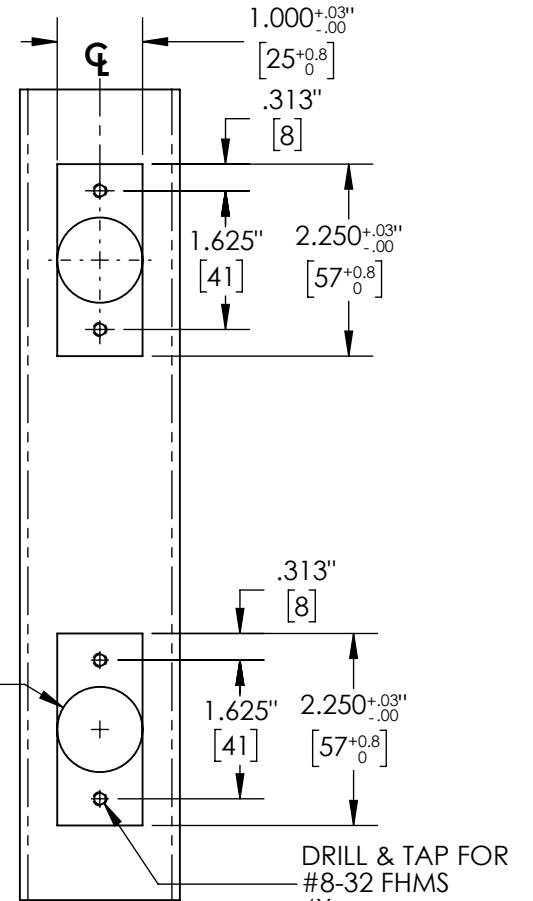


NOTE: LATCH CASE AND LOCK CHASSIS SUPPORTS MUST BE DESIGNED TO PROVIDE ADEQUATE STRENGTH TO SUPPORT THE LOCK WITHOUT CRUSHING THE DOOR.

.104" OVER 2.0 BEVEL  
[3mm OVER 51mm]



**DOOR FACE DETAIL**



**DOOR EDGE DETAIL**

DRILL & TAP FOR #8-32 FHMS 4X

- NOTES:**  
 1. DRAWING IS NOT TO SCALE.  
 2. DIMENSIONS ARE IN INCHES/[MM].

METAL DOORS FOR:  
 J310, J353 WITH 5.500" CENTERS  
 FACE PLATE 1" FLAT OR BEVELED