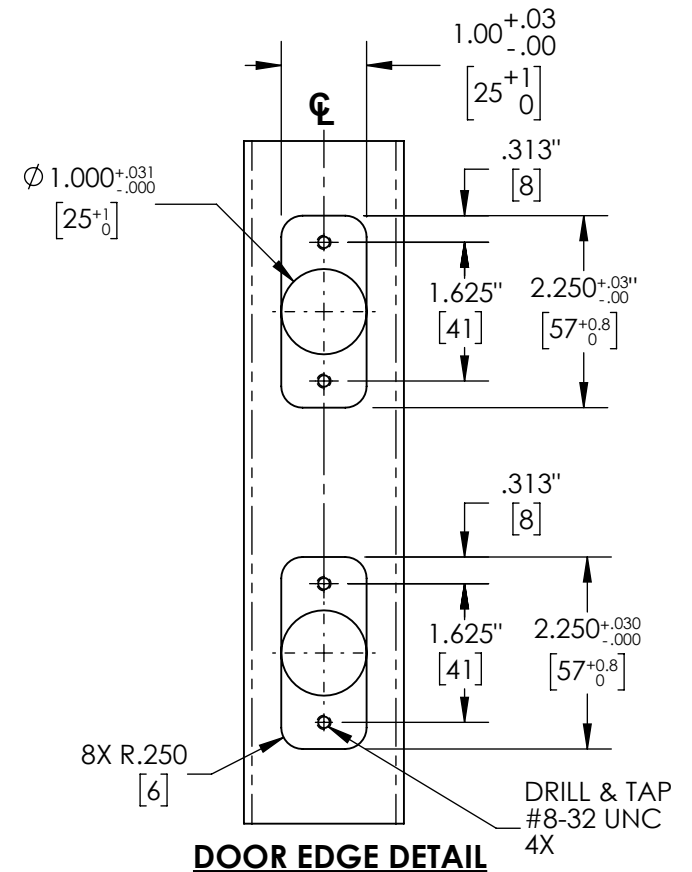
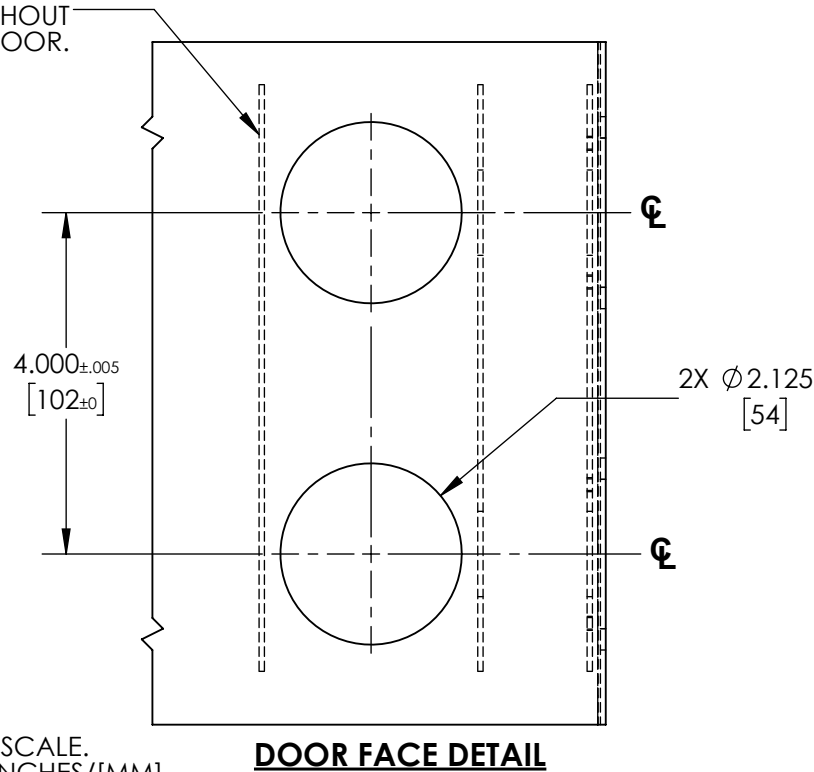


NOTE: LATCH CASE AND LOCK CHASSIS SUPPORTS MUST BE DESIGNED TO PROVIDE ADEQUATE STRENGTH TO SUPPORT THE LOCK WITHOUT CRUSHING THE DOOR.



- NOTES:**
1. DRAWING IS NOT TO SCALE.
 2. DIMENSIONS ARE IN INCHES/[MM].

METAL DOORS FOR:
J310, J353 WITH 4" CENTERS
FACE PLATE 1" FLAT OR BEVELED
RADIUS CORNERS