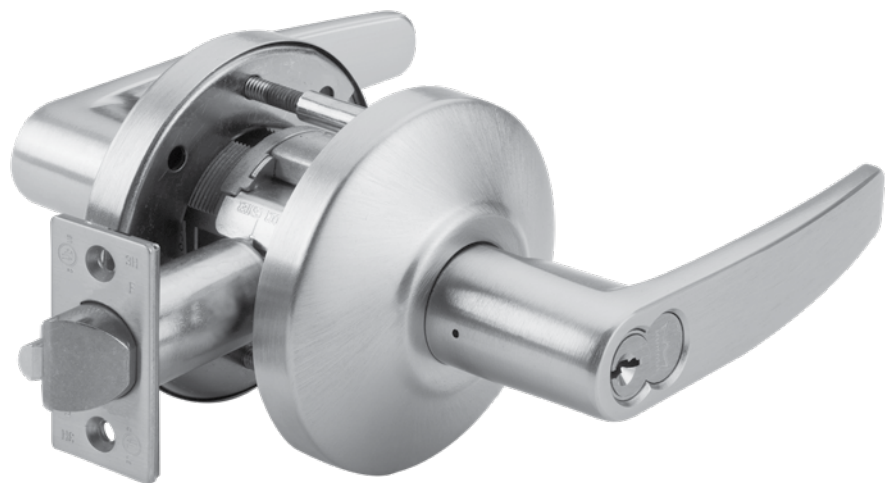
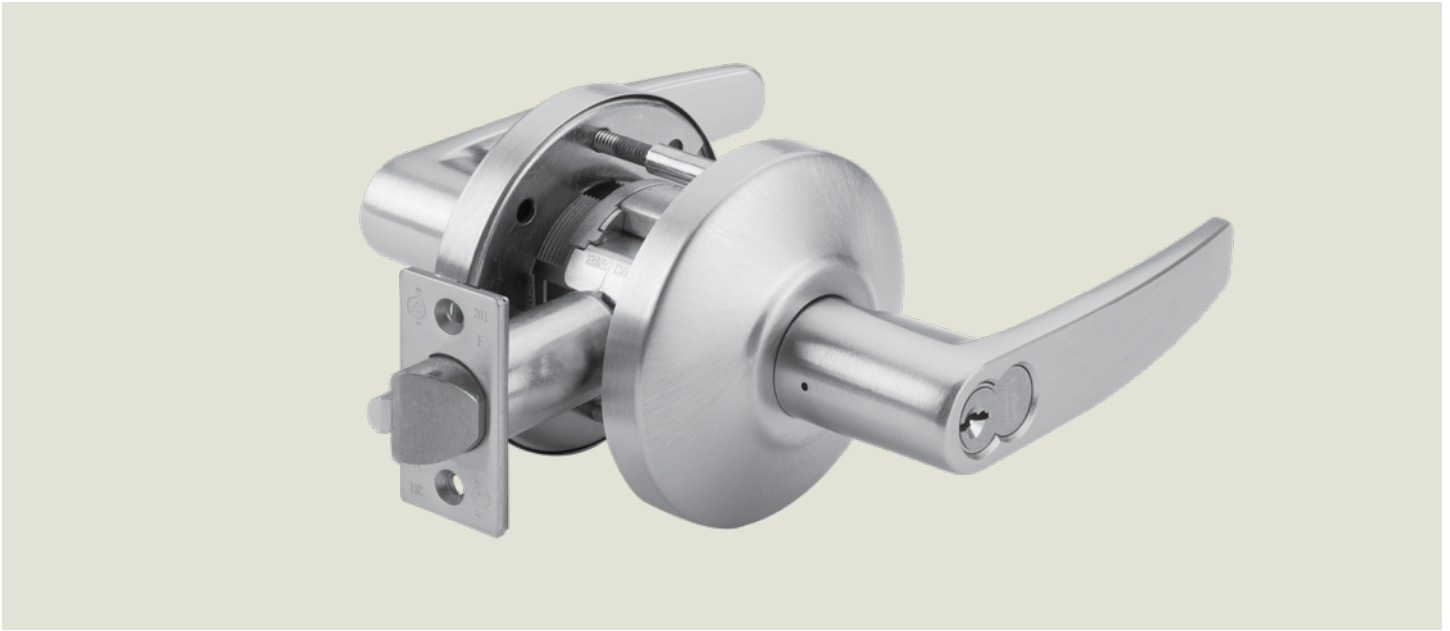


C100 Heavy-Duty Cylindrical Locksets





C100 series heavy-duty cylindrical lock

Grade 1 Heavy-Duty Cylindrical Locksets	Features	3
	Technical Details	4
Ordering Guide	Locks	5
	Keyways	6
Functions	Available Functions	7
Electromechanical Options	Electrical Requirements	9
	Monitoring Option	9
Lock Options	Trim Options	10
	Roses	10
	Tactile Warning (Knurling)	11
	Strike Options	11
	Latch Bolt Options	11



dormakaba USA quality and environmental management systems in Indianapolis, are certified to ISO 9001:2008 and ISO 14001:2004.

Made in USA



C100 Grade 1 heavy-duty cylindrical lockset

Exceptional security, enhanced aesthetics, and rugged dependability.

These premium locks are built in America with a high performance cylindrical chassis for all applications where ANSI/BHMA A156.2 Series 4000 Grade 1 products are required. To meet the aesthetic needs of your project, these versatile locks are available in a range of trim designs.

Features

- C100 Series locks feature advanced design concepts for extreme reliability and are manufactured in USA with the finest materials for exceptional durability.

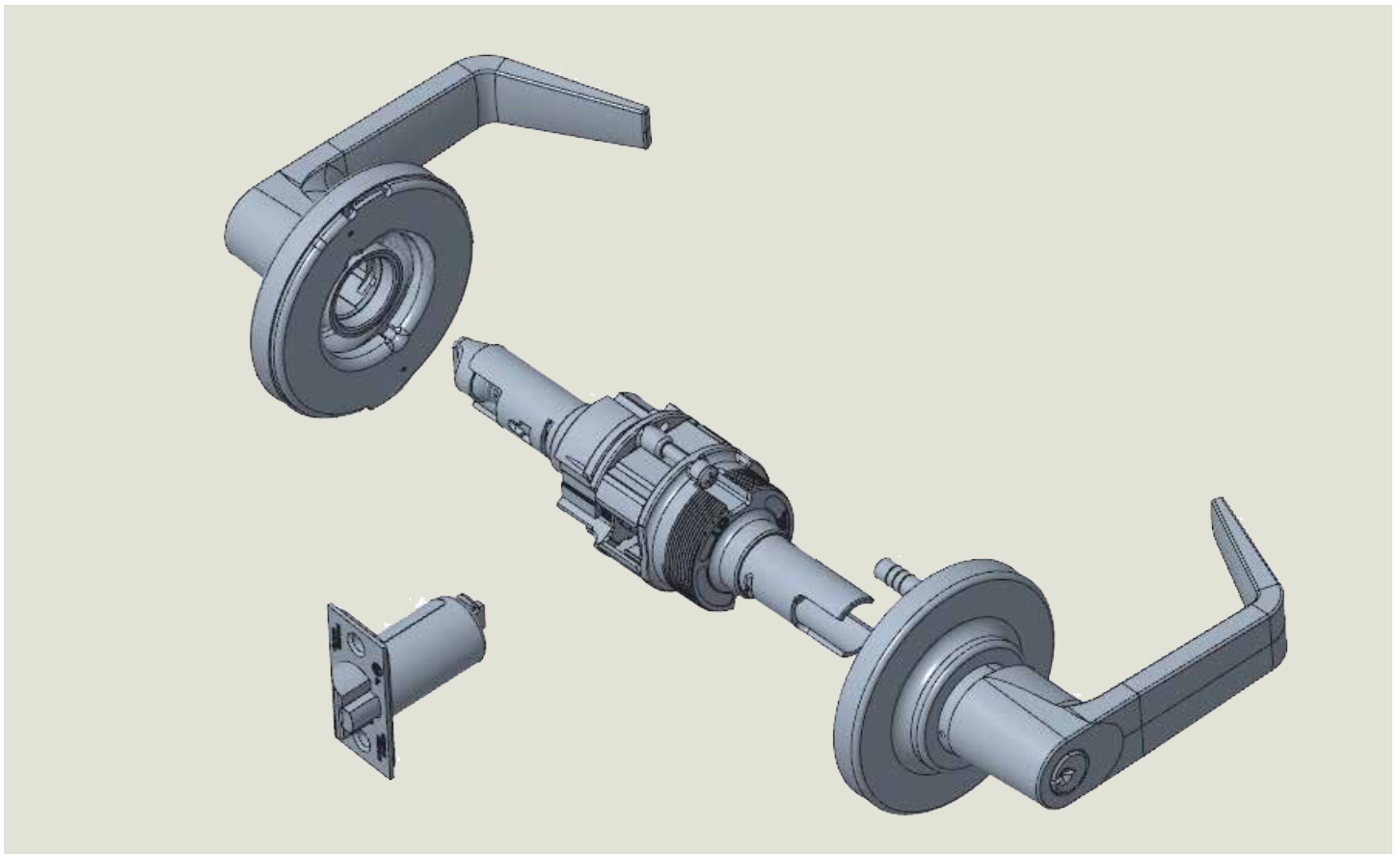
This design provides both extremely high strength and

an extended service life for the lock mechanism. All steel parts are zinc plated.

- C100 Series locks are easy to install in both wood and hollow metal doors with ANSI/BHMA Standard A156.115 preparations for cylindrical locks.
- C100 Series lever locks are through-bolted for additional strength and reliability.
- C100 Series lever locks are available with two rose designs, C or the stepped E.
- C100 Series operating lever trim features a specially designed freewheeling function to protect the lock from damage caused by excessive torque applied to the lever handles. When locked, the outside lever handle will move freely through a 60° arc without operating the latch bolt. This free movement minimizes the opportunity for damage to the lock mechanism.
- C100 Series lever locks include a special, high strength spring and positive stop to eliminate unsightly sagging levers.
- C100 Series lever locks are easily adjustable to accommodate doors from 1-3/4"–2-1/4" thick without spacers (1-3/8"–1-5/8" with spacers 660005).

Recommended Applications

- Schools and Universities
- Hotels ..Apartments
- Hospitals and Nursing Homes
- Churches
- Municipal Buildings
- Airports
- Retail Complexes
- Offices
- Warehouses



Technical Details

- Non-handed for simple installation.
- Key-in-lever lock is through-bolted for additional strength and security.
- Lock chassis constructed of steel, stainless steel and zinc components for superior strength and corrosion resistance.
- Stainless steel latch bolt.
- Auxiliary deadlocking latch bolt.
- Accepts standard and interchangeable core cylinders.

Certification

- ANSI/BHMA A156.2 Grade 1 certified.
- Made in USA



- Meets A117.1 accessibility code and ADA requirements for barrier-free accessibility.
- UL listed 3 hour fire rated. Locks with 9/16" throw latch bolts are listed for A label and lesser class doors, 4'0" x 8'0" maximum per leaf.
- California State Fire Marshall approved (CSFM).



Cylinders and Keying

- Unless otherwise specified, cylinders will be provided in Schlage C keyway with two (2) nickel silver keys.
- Optional patented key system available.
- Refer to Price List for full details and options such as master keying, retrofit cylinders and keyways, and small format and full size interchangeable cores.

Finishes

- Brass: 605 (Bright), or 606 (Satin)
- Bronze: 612 (Satin) or 613 (Dark Oxidized Satin)
- Nickel: 619 (Satin)
- Chrome: 625 (Bright) or 626 (Satin)
- Black: 622 (Satin)

NOTE: Consult factory for finishes not shown.

Antimicrobial Protected Coating Specify AM.

Special Finish Notes

ANSI/BHMA A156.18 standards describe 613 Dark Oxidized Satin Bronze finish as a category B finish. B category finishes, "do not match from one alloy or form of material to the next and from one manufacturer to the next." The 613 finish may vary between manufacturers' products and models.

In some instances, for customer convenience, the most appropriate BHMA finish symbols are used to indicate similarity of appearance, regardless of base metal or finishing process. Finishes of latches, strikes, cylinders/cores, and visible mounting screws, though similar in appearance, may differ from the finish of the trim. Finish designations in the 600 numbers are the BHMA (Builders Hardware Manufacturers Association) industry standard.

Security Screws

Torx® tamper-resistant screws are available for all exposed screws. Specify TX.

Warranty

For details, refer to Warranty Statement on our website.



LR Lever with C Rose



LC Lever with E Rose



LG Lever with E Rose

How to order C100 series lock

Function

F93 – Faculty Restroom/Hotel ¹	85
F87 – Asylum	82
Electrically Unlocked (Fail Secure)	80EU
Electrically Locked (Fail Safe)	80EL
F86 – Storeroom	80
F110 – Classroom Intruder	77
F90 – Corridor/Dormitory	73
F80 – Communicating	72
F84 – Classroom	70
F91 – Store Door	66
F113 – Exit/Communicating Classroom	65
F88 – Apartment	60
F92 – Service Station	55
F109 – Entry	53
F82 – Entry/Office	50
F112 – Exit/Communicating Storeroom	48
Hospital Privacy	44
F76A – Privacy, Bedroom or Bath	40
F77A – Patio	30
F111 – Exit/Communicating Passage	25
F89 – Exit	12
F75 – Passage/Closet	10
Double Dummy	02
Single Dummy	01

- Faculty restroom/hotel function available only in SFIC.
- Request to exit option only available on lever lock. Available with C110, C153, C170, C180, C180EL & C180EU functions only.
- Consult factory for other cylinder options
- Antimicrobial coating available on lever trim, 626 finish only. Consult factory for other finishes.
- Door thickness range: Lever locks 1-3/4" – 2-1/4" without spacers; 1-3/8" – 1-5/8" with spacers.

Cylinder Type³

D	Conventional Cylinder
L	Less Conventional Cylinder
J	SFIC (Less Core)
T	Temporary SFIC

Finish

626	Satin Chrome
625	Bright Chrome
622	Satin Black
619	Satin Nickel
613	Dark Oxidized Satin Bronze
612	Satin Bronze
606	Satin Brass
605	Bright Brass

Product Family
Heavy-Duty Grade 1 Cylindrical Lockset

C1	53	D	LR	C	626	AM	TX	RH	10252	134	5001	1316	XXXX	
Request to Exit ²	RX	Lever	LR	C	3-1/2" Dia.	AM	TX	RH	Right Hand	134	1-3/4"-2-1/4"	138	1-3/8"-1-5/8"	See next page for keying options
		Lever	LC	D	3-1/2" Dia. stamped, LOCK			LH	Left Hand					
		Lever	LG	E	3-1/2" Dia. stepped rose									
				F	3-1/2" Dia. stepped rose stamped, LOCK									

Lever Design

Rose Design

Door Hand

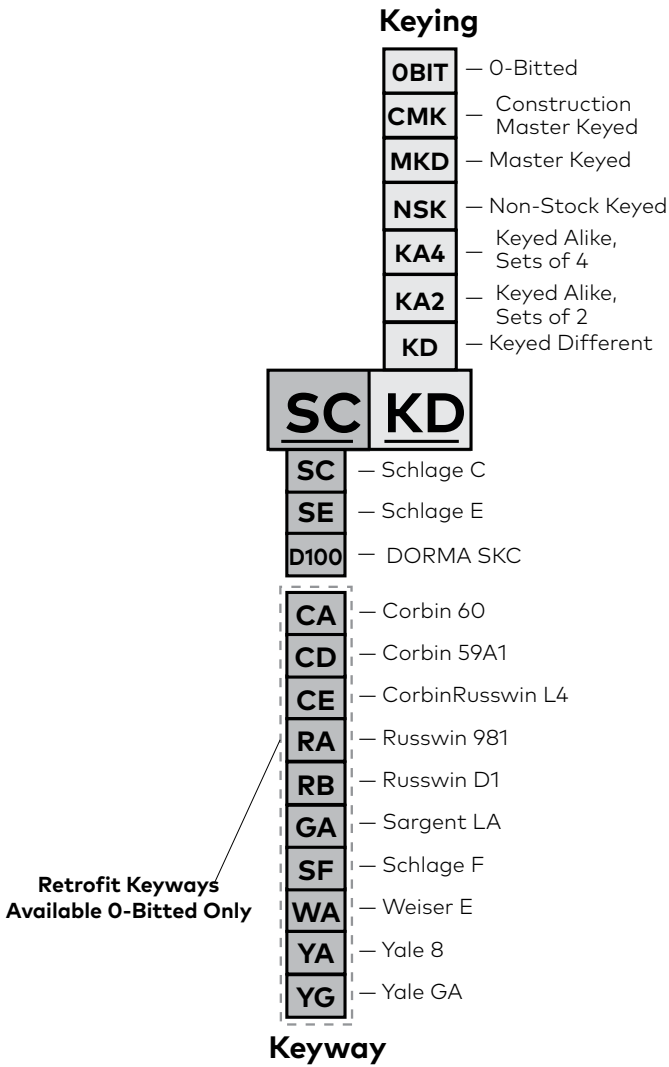
Door Thickness⁵

Security Screws

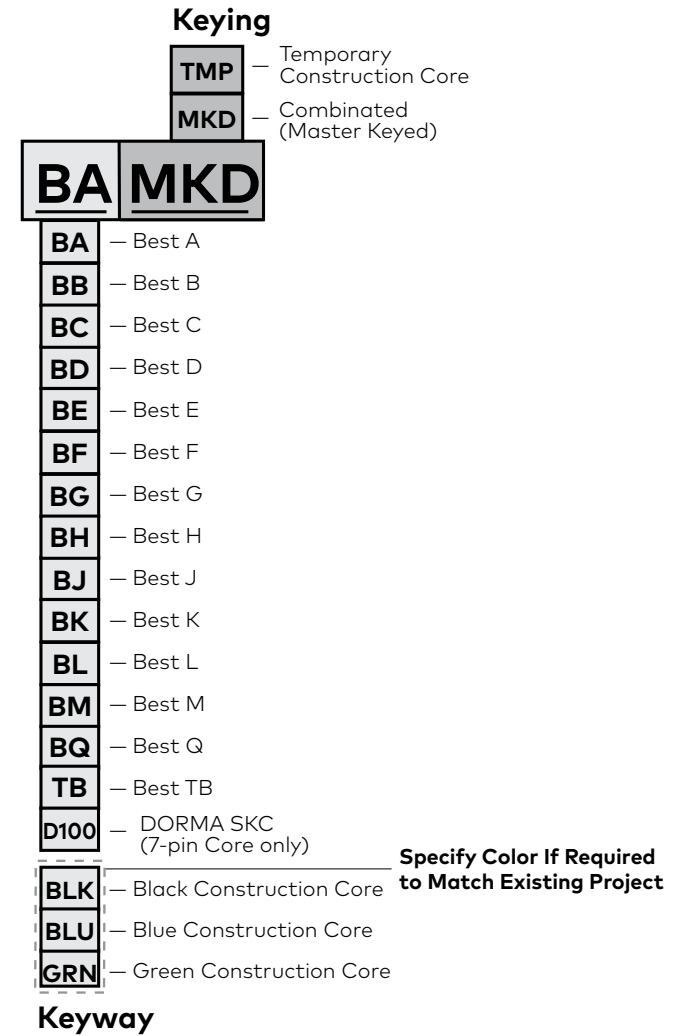
Antimicrobial Coating⁴

Keying options

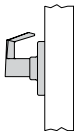
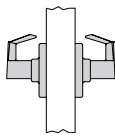
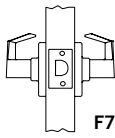
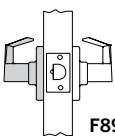
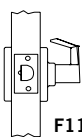
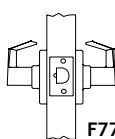
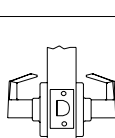
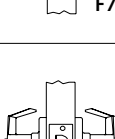

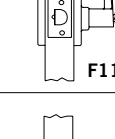
Standard Keyways



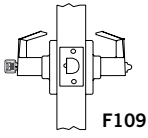
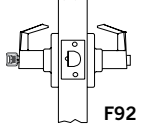
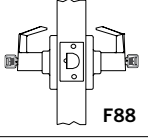
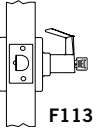
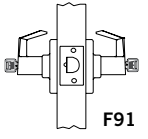
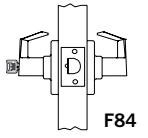
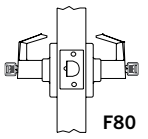
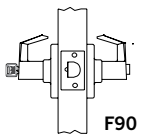
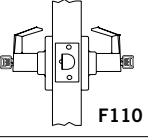
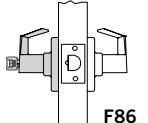
SFIC Keyways

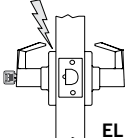
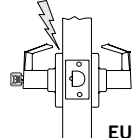
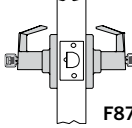
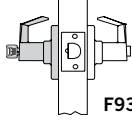


Functions

Function	Series	Outside/Inside	Description
Dummy Trim One Side	C101		Used as pull or matching trim on pairs of doors. For wood or custom hollow metal doors. Trim is surface mounted.
Dummy Trim Two Sides	C102		Used as pull or matching trim on pairs of doors. For wood or custom hollow metal doors. Trim through-bolted.
Passage/Closet	C110	 F75	Latch bolt operated by trim either side at all times.
Exit	C112	 F89	Deadlocking latch bolt operated by inside trim. Outside trim always locked. Inside trim always unlocked.
Exit/Communicat- ing Passage	C125	 F111	Deadlocking latch bolt operated by inside trim. Blank plate outside. Minimum clearance 1" on single doors and 2" between double doors.
Patio	C130	 F77A	Deadlocking latch bolt operated by trim either side. Outside trim locked by push button or locking device inside. Outside trim unlocked by trim inside. Outside trim unlocked by closing door. Inside trim always operates latch bolt. Do not use in rooms that have no other entrance.
Privacy, Bedroom or Bath	C140	 F76A	Latch bolt operated by trim either side. Outside trim locked by push button or locking device inside. Outside trim unlocked by emergency release outside. Outside trim unlocked by trim inside. Outside trim unlocked by closing door. Inside trim always operates latch bolt.
Hospital Privacy	C144	 F76A	Latch bolt operated by trim either side. Outside trim locked by push button or locking device inside. Outside trim unlocked by emergency release outside. Outside trim unlocked by trim inside. Outside trim unlocked by closing door. Inside trim always operates latch bolt.
Exit/Communicat- ing Storeroom	C148	 F112	Deadlocking latch bolt operated by key in trim. Trim always inoperable. Blank plate outside. Minimum clearance 1" on single doors and 2" between double doors.
Entry/Office	C150	 F82A	Deadlocking latch bolt operated by trim either side, except when outside trim locked by push button inside. Key outside releases push button, unlocking outside trim. Operating inside trim releases push button, unlocking outside trim. Closing door does not release push button. Inside trim always operates latch bolt.

Functions

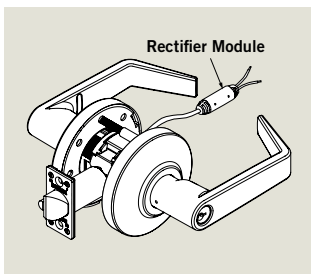
Function	Series	Outside/Inside	Description
Entry	C153	 F109	Deadlocking latch bolt operated by trim either side, except when outside trim locked by push button inside. Key outside releases push button, unlocking outside trim, except when inside button pushed and turned to keep outside trim locked. Operating inside trim releases push button, unlocking outside trim, except when inside button pushed and turned to keep outside trim locked. Inside button must be turned to unlock outside trim. Inside trim always operates latch bolt
Service Station	C155	 F92	Deadlocking latch bolt operated by trim either side, except when outside trim locked by push button inside. Key outside, operating inside trim, or closing door releases push button, unlocking outside trim, except when slotted push button fixed in locked position by turning inside trim coin slot. Slotted inside button must be manually released.
Apartment	C160	 F88	Deadlocking latch bolt operated by trim either side, except when outside trim locked by key inside. When outside trim locked, latch bolt retracted by key outside. When outside trim locked, latch bolt operated by trim inside.
Exit/Communicating Classroom	C165	 F113	Deadlocking latch bolt operated by trim. Key locks or unlocks trim. Blank plate outside. Minimum clearance 1" on single doors and 2" between double doors.
Store Door	C166	 F91	Deadlocking latch bolt operated by trim either side. Key in either trim locks or unlocks both trims.
Classroom	C170	 F84	Deadlocking latch bolt operated by trim either side, except when outside trim locked by key outside. Outside trim locked or unlocked by key outside. Inside trim always operates latch bolt.
Communicating	C172	 F80	Deadlocking latch bolt operated by trim either side. Turning key in trim locks, or unlocks, its own trim independently. Do not use on doors in rooms that have no other exit.
Corridor	C173	 F90	Deadlocking latch bolt operated by trim either side, except when outside trim locked by key outside, or when outside trim locked by push button inside. Outside trim locked or unlocked by key outside. Operating inside trim or closing door releases push button. Inside trim always operates latch bolt.
Classroom Intruder	C177	 F110	Deadlocking latch bolt operated by trim either side. Key in either trim locks or unlocks outside trim. Inside trim always operates latch bolt.
Storeroom	C180	 F86	Deadlocking latch bolt retracted by key outside. Deadlocking latch bolt operated by trim inside Outside trim always inoperable.

Function	Series	Outside/Inside	Description
Electrically Locked Fail Safe	C180EL	 EL	Outside trim locked when power is on. Outside trim unlocked when power is interrupted. Deadlocking latch bolt retracted by key outside. Inside trim always operates latch bolt.
Electrically Unlocked Fail Secure	C180EU	 EU	Outside trim unlocked when power is on. Outside trim locked when power is interrupted. Deadlocking latch bolt retracted by key outside. Inside trim always operates latch bolt.
Asylum	C182	 F87	Deadlocking latch bolt retracted by key either side. Both trims always rigid.
Faculty Restroom/ Hotel	C185	 F93	Deadlocking latch bolt operated by trim inside at all times. Outside trim always inoperable. Latch bolt retracted by key outside and lever inside, except when push button inside will block all operating keys Operating inside lever or closing door releases button Only available in SFIC



Indicates rigid or inoperable lever.

Electromechanical Options



Electromechanical Functions

- Electrically locked (fail safe).
- Electrically unlocked (fail secure).

Electrical Requirements for Solenoid Functions

Voltage: 24 VDC regulated, filtered.

Current: 0.145 A.

UL and CUL listed for use on fire doors.

- Solenoids are rated for continuous duty.
- Repeated operation at voltage exceeding $\pm 10\%$ is not recommended.
- Recommended power supply: PS610RF

Monitoring Options RX

Request-to-exit signaling switch.

Voltage: 250 VAC.

Current Rating: 1 A.

- Wire Leads: 22 AWG. A microswitch attached to chassis is activated by inside lever. The switch signals the lever use to security, allowing a means of immediate egress.
- Available on the following functions C110, C150, C153, C170, C180, C180EL and C180EU.

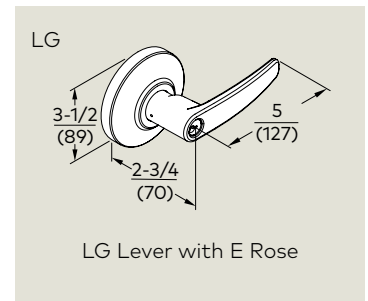
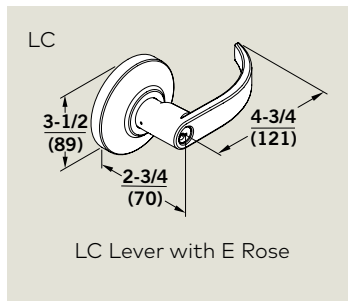
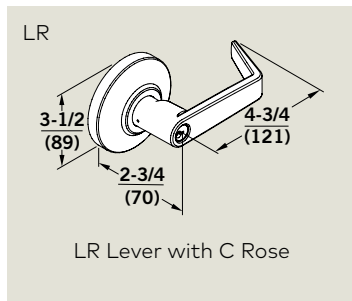
When ordering specify RX.

Example: C180EURX.

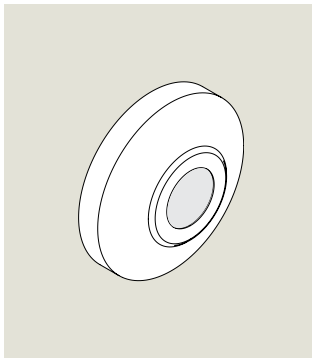
CAUTION: Not recommended for use on doors used for Life Safety egress.

Lock Options

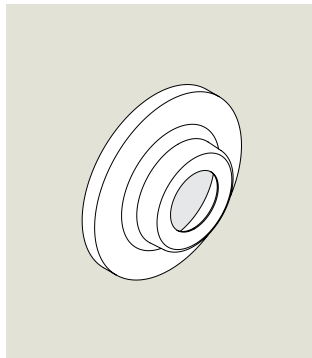
Trim Options



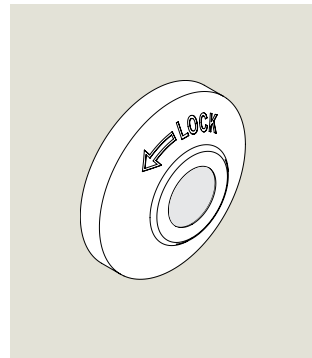
Rose



C Rose — Default Rose for all C100 lever style locks.



E Rose — Optional stepped rose for all C100 lever style locks.



D Rose — C-style rose with **LOCK** stamped on the inside trim for double cylinder functions. Available on C160 and C177. Specify **D Rose**.



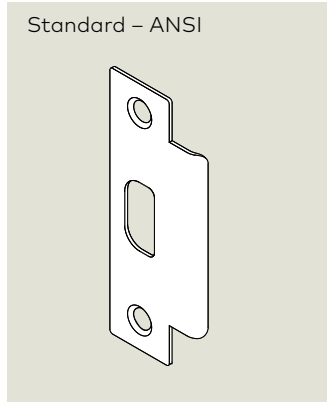
F Rose — E-style stepped rose with **LOCK** stamped on the inside trim for double cylinder functions. Available on C160 and C177. Specify **F Rose**. Call customer service for availability.

Tactile Warning (Knurling)



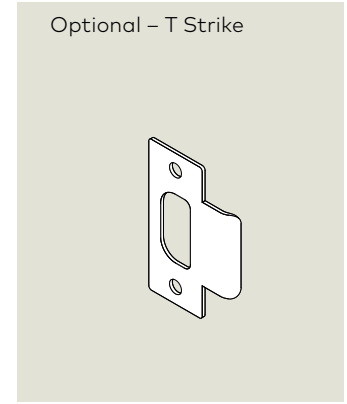
Abrasive strips are available for customer to install. Order part number 71461957. (Do not use on 613 finish levers).

Strike Options



ANSI Dust box specify B34380.

5001 – ANSI 1-1/4" x 4-7/8" strike. 1-3/16" lip length. Default strike for all C100 Series locks.

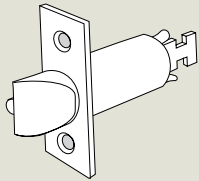


Dust box included.

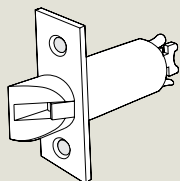
5101 – 1-1/8" x 2-3/4" square T-strike. 1-1/8" lip length. Optional for all C100 Series locks. For optional 1-1/2" T-strike specify B54066. For ANSI Flat Strike: specify S3-7/8

Latch Bolt Options

9/16" Throw Latch bolt, 2-3/4" Backset



3/4" Throw Latch bolt



Available Latches

Item #	Throw	Backset	Face	Functions
10202	9/16"	2-3/4"	1-1/8", Square Corner	C110, C140, C144
10252	9/16"	2-3/4"	1-1/8", Square Corner	All Functions except C110, C140, C144
10302	9/16"	3-3/4"	1-1/8", Square Corner	C110, C140, C144
10352	9/16"	3-3/4"	1-1/8", Square Corner	All Functions except C110, C140, C144
10502	9/16"	5"	1-1/8", Square Corner	C110, C140, C144
10552	9/16"	5"	1-1/8", Square Corner	All Functions except C110, C140, C144
18262	3/4"	2-3/4"	1-1/8", Square Corner	All Functions

dormakaba USA, Inc
6161 E. 75th Street
Indianapolis, IN 46250
Tel: 800 523 8483

dormakaba Canada Inc
7301 Decarie Blvd
Montreal, QC H4P 2G7
888 539 7226

www.dormakaba.us | 855-365-2407