

SP SU

SUPERIAL SU



A three-chamber window system with thermal insulation designed for windows with a hidden sash, invisible from the outside.

SP SU

A three-chamber window system with thermal insulation designed for designing windows with a hidden sash, invisible from the outside.

A specially designed shape of the frame hides the full height of the sash profile.

A wide range of glazing allows using all types of single and double cavity, acoustic and anti-burglary glass panels.

Profile drainage in two variants: traditional and hidden.

An available option of a low threshold in a single wing balcony door (in addition, structural tightness was improved thanks to application of ACSR461 gasket).

The option of bending profiles (detailed specification of profiles and detailed technical parameters of profile bending process are available in the customer area of the website www.aliplast.pl).

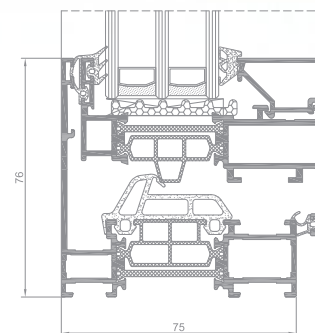
The hidden sash system is the system preferred by designers, as it allows "hiding" windows in aluminium and glass structure. Thanks to the application of this solution opened and fixed window segments look identical from the outside.

The system SP SU is also available in the variant with improved thermal insulation power.

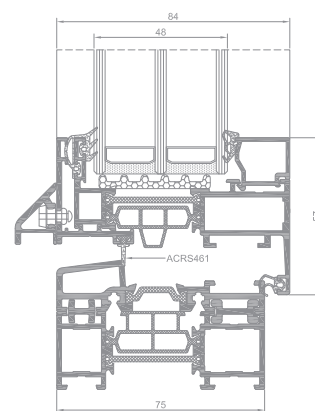
- *SP SU i* z which was achieved by applying thermal insulation under the glass panel.

There is possibility of use Flyscreen system (Flyscreen – fly screens are a practical and an extremely functional protection against insects).

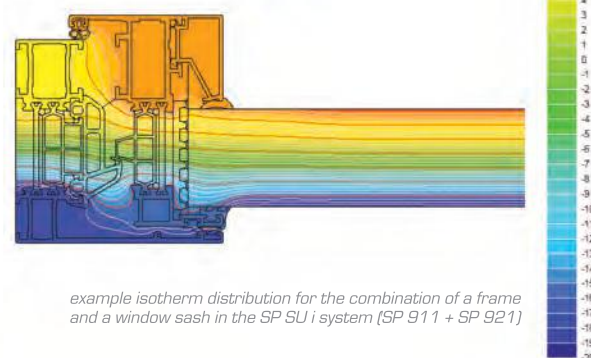
A wide range of colours available - RAL palette, structural colours, Aliplast Wood Colour Effect, anodized, bi-colour.



SP SU window section



SP SU i window section



example isotherm distribution for the combination of a frame and a window sash in the SP SU i system (SP 911 + SP 921)

TECHNICAL SPECIFICATION

SYSTEM	MATERIAL	DEPTH OF FRAME	DEPTH OF LEAF	GLAZING RANGE	TYPE OF WINDOWS	TYPE OF DOORS
SP SU	aluminium / polyamid	75 mm	78 mm	14-51 mm	hidden sash	_____
SP SU i	aluminium / polyamid	75 mm	78 mm	14-51 mm	hidden sash	_____

PERFORMANCE

SYSTEM	THERMAL INSULATION U_f *	AIR PERMEABILITY	WINDLOAD RESISTANCE	WATERTIGHTNESS
SP SU	U_f from 1,48 W/m ² K	Class 4; EN 12207	Class C5/B5; EN 12210	Class E900; EN 12208
SP SU i	U_f from 1,12 W/m ² K	Class 4; EN 12207	Class C5/B5; EN 12210	Class E900; EN 12208

* Thermal insulation is dependent on a combination of profiles and thickness of the filling.